

# WINCO<sup>®</sup> GENERATORS

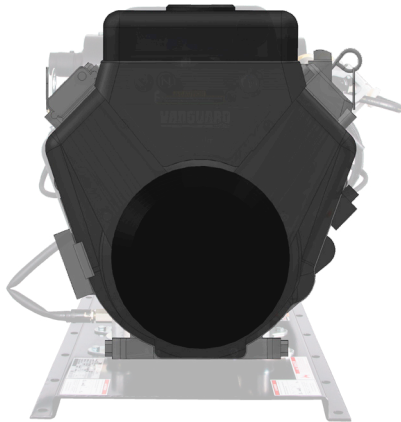
## EC18000VE

15,000 RUNNING WATTS

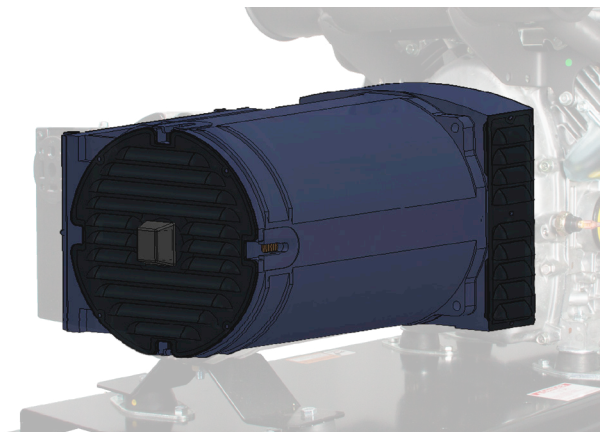
Rugged Steel Design.



B & S Commercial Vanguard Engine.



Brushless Industrial Genend.



 An American Company.

We produce our products in our 200,000ft<sup>2</sup> facility located in Le Center, Minnesota, equipped with modern engineering, fabrication and assembly capabilities.



Vacuum Fuel Pump

30 feet fuel lift capacity

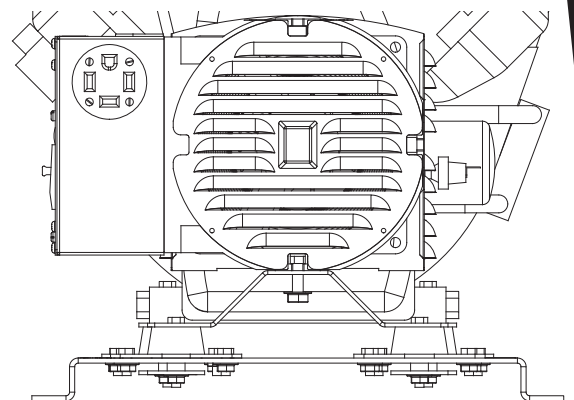
Low Oil Protection

In the event there is low oil pressure, the engine will shut down, protecting the engine from damage

Premium Circuit Breakers

Providing clear and instant indication of a tripped breaker.

Receptacle Panel



# SPECIFICATIONS

## ENGINE

ENGINE BRAND	BRIGGS & STRATTON
ENGINE MODEL	VANGUARD
ENGINE STARTER	ELECTRIC
ENGINE SPEED	3600 RPM
ENGINE CYLINDERS	V-TWIN
DISPLACEMENT/TYPE	895 CC / OHV
FREQUENCY REGULATION <sup>(1)</sup>	+/- 3%
LOW OIL PROTECTION	STANDARD
RECOMMENDED OIL <sup>(2)</sup>	5W-30
OIL CAPACITY	2.5 QT
FUEL CONSUMPTION	GAL/HR
100%	2.69
75%	2.15
50%	1.62
25%	1.21
0%	0.88
BATTERY SIZE <sup>(3)</sup>	BCI GROUP 26 500CCA

NOTES: (1) Steady state frequency regulation. (2) The recommended oil is for normal applications. See operator's manual for the recommended oil for your needs. (3) Battery not included.

## SHIPPING

SHIPPING DIMENSIONS (L x W x H)	43.5" x 28" x 28"
SHIP WEIGHT	354 LBS
FREIGHT CLASS	70

## ELECTRICAL

STARTING WATTS	18,000
RUNNING WATTS	15,000
RUNNING AMPS @ 120 VAC	125
RUNNING AMPS @ 240 VAC	62.5
VOLTAGE REGULATION	CAPACITOR +/- 5%
MAIN CIRCUIT BREAKER	60 AMP, 240V VAC
BONDED NEUTRAL	YES
120/240 VOLT RECEPTACLES	(1) 14-60R 60A
HOURLY METER	STANDARD

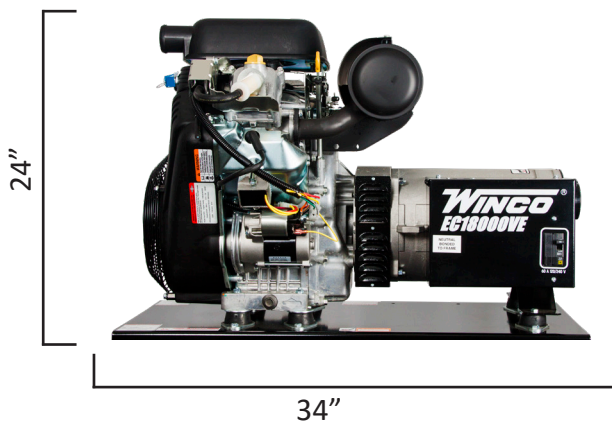
## GENSET

MOTOR STARTING (CODE G)	5 HP
DBA @ 7 METERS	79
TOTAL HARMONIC DISTORTION	< 6%
INSULATION	CLASS H
ASSEMBLED IN	USA
EPA APPROVED	YES
CARB APPROVED	NO
TÜV CERTIFICATION	CSA
UNIT WARRANTY <sup>(1)</sup>	3 YEARS COMMERCIAL

NOTES: (1) For more generator warranty, see operator's manual.

## OPTIONAL ACCESSORIES

FUEL SYSTEM	15 GAL FUEL TANK
PLUG	14-60 60A
BATTERY	BCI GROUP 26 500 CCA
MAINTENANCE KIT	16200-011



Specifications are subject to change without notice.

