

# WINGCO® W120FPTOT-18

## Features

### Automatic Voltage Regulation

Automatic voltage regulation that is +/- 1.5%.

### Cast Iron Gear Case with Helical Gears

A 1000 RPM operating speed makes for effective operation.

### Premium Square D Circuit Breakers

Square D is the industry leader in circuit breaker protection.

### Frequency Meter

A large 3 1/2" frequency meter ensures the proper output.

### Protective PTO Shield

Safety is always a priority.

### 5-Wire Anderson Full Power Plug Included

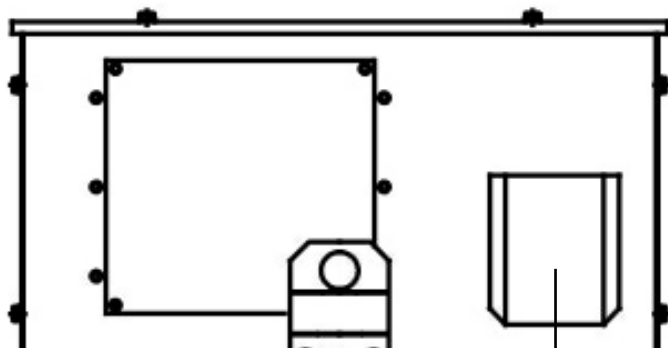
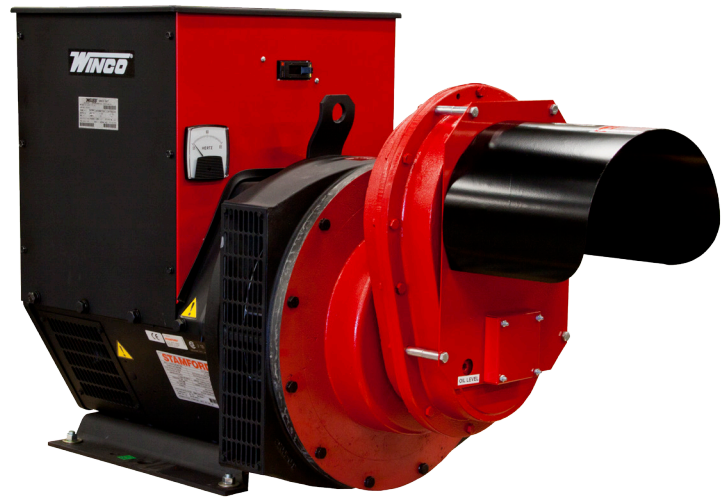
You supply the 2/0 THHN, we provide the plug.

### Load Tested

You won't find statistical sampling here. We load test every generator before it leaves our facility.

## POWER TAKE-OFF

**120,000 Continuous Watts**



ANDERSON CONNECTOR

## Optional Accessories

### PTO Drive Shaft

1 3/4" - 20 spline x 1 3/4" - 20 spline or 1 3/4" - 20 spline x 1 3/8" - 21 spline quick connect shafts. Designed to handle the horsepower ratings required.

### Off-Road PTO Trailer

Our steel trailers are specifically designed to handle the torque of running a PTO generator.

### Manual Transfer Switch

Set up your generator quickly and safely to restore power to critical circuit breakers.

## W120FPTOT

|                                  |                    |
|----------------------------------|--------------------|
| CONTINUOUS WATTS                 | 120,000            |
| AMPS <sup>(1)</sup>              | 180                |
| OUTPUT                           | 277/480 V          |
| PHASE                            | THREE              |
| PTO INPUT SPEED                  | 1000 RPM           |
| INPUT SHAFT SIZE                 | 1 3/4" - 20 SPLINE |
| REQUIRED INPUT HP <sup>(2)</sup> | 240                |
| MOTOR STARTING <sup>(3)</sup>    | 50 HP              |
| FREQUENCY METER                  | YES                |
| MAIN CIRCUIT BREAKER             | 175 AMP            |
| BONDED NEUTRAL                   | YES                |
| GROUND LUG                       | YES                |
| GEARCASE OIL                     | SAE 85W 90-140     |
| GEARCASE OIL CAPACITY            | 2.75 PINTS         |
| LIFTING EYE                      | YES                |
| WARRANTY <sup>(4)</sup>          | 3 YRS              |

NOTES: (1) 0.8 power factor (2) Required HP at PTO of tractor for full rated output. Each 2 HP of tractor power equals approximately 1 kW of electric power. (3) Code G capacitor start motor. Please consult factory or authorized dealer for further information. (4) 3 year warranty for farm use only, other uses have a 1 year warranty. Please consult factory or authorized dealer for further information.

## GENERATOR END

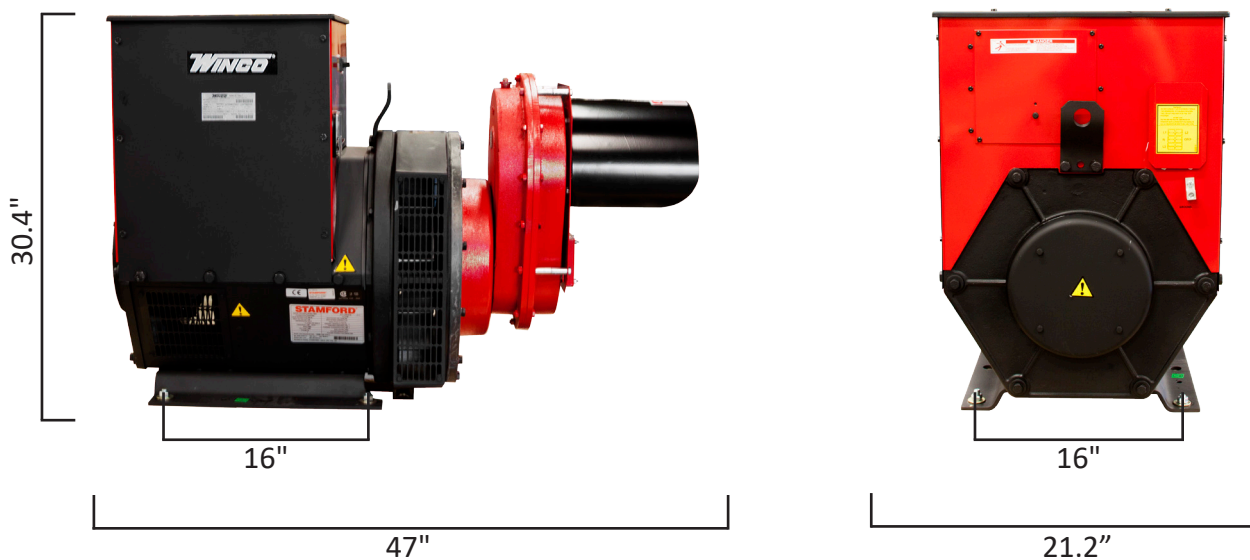
|                           |                       |
|---------------------------|-----------------------|
| VOLTAGE REGULATION        | +/- 5%                |
| TOTAL HARMONIC DISTORTION | < 5%                  |
| RATING                    | 150° C                |
| TYPE                      | 4 POLE ROTATING FIELD |
| BRUSHED                   | NO                    |
| GENERATOR SPEED           | 1800 RPM              |
| VOLTAGE CONTROL           | AVR SX460             |
| INSULATION                | CLASS H               |

## RECEPTACLE

|                       |          |
|-----------------------|----------|
| 120/240 VOLT ANDERSON | 350 AMPS |
|-----------------------|----------|

## SHIPPING

|                     |                      |
|---------------------|----------------------|
| DIMENSIONS (LxWxH)  | 47" x 21.2" x 30.4"  |
| NET WEIGHT          | 1206 LBS             |
| SHIPPING DIMENSIONS | 55.25" x 28.5" x 36" |
| SHIP WEIGHT         | 1216 LBS             |
| FREIGHT CLASS       | 65                   |



Specifications are subject to change without notice.  
225 S. Cordova Ave Le Center MN • 1-800-733-2112 • www.wincogen.com