

## Features

### Low Harmonic Content

Provides clean power for both farm and home.

### Cast Iron Gearcase with Helical Gears

A 540 RPM operating speed makes for effective operation.

### Voltmeter

A large 3" voltmeter ensures the proper output.

### Premium Square D Circuit Breakers

Square D is the industry leader in circuit breaker protection.

### Protective PTO Shield

Safety is always a priority.

### 4-Wire Anderson Full Power Plug Included

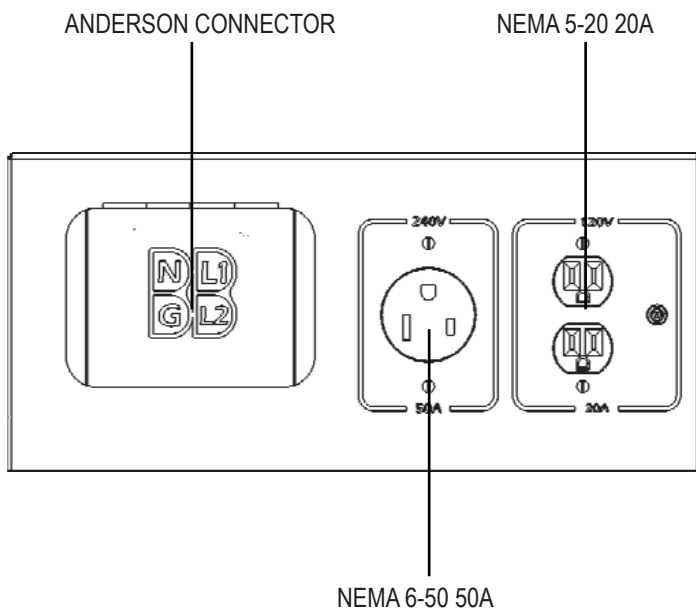
You supply the #1 THHN, we provide the plug.

### 100% Load Tested

You won't find statistical sampling here. We load test every generator before it leaves our facility.

## POWER TAKE-OFF

50,000 Continuous Watts



## Optional Accessories

### PTO Drive Shaft

1 3/8" - 6 spline x 1 3/8" - 6 spline quick connect shaft. Designed to handle the horsepower ratings required.

### Off-Road PTO Trailer

Our steel trailers are specifically designed to handle the torque of running a PTO generator.

### 1000 RPM Gearcase Upgrade

Factory installed

### Manual Transfer Switch

Set up your generator quickly and safely to restore power to critical circuit breakers.

## 50PTOC-3

CONTINUOUS WATTS	50,000
AMPS <sup>(1)</sup>	208
OUTPUT	120/240 V
PHASE	SINGLE
PTO INPUT SPEED	540 RPM
INPUT SHAFT SIZE	1 3/8" - 6 SPLINE
REQUIRED INPUT HP <sup>(2)</sup>	100
MOTOR STARTING <sup>(3)</sup>	25 HP
VOLTMETER	YES
MAIN CIRCUIT BREAKER	200 AMP
NEUTRAL BONDED	YES
GROUND LUG	YES
GEARCASE OIL	SAE 85W 90-140
GEARCASE OIL CAPACITY	1 PINT
LIFTING EYE	YES
WARRANTY	3 YR

NOTES: (1) Unity (1.0) power factor (2) Required HP at PTO of tractor for full rated output. Each 2 HP of tractor power equals approximately 1 kW of electric power. (3) Code G capacitor start motor. Please consult factory or authorized dealer for further information.

## GENERATOR END

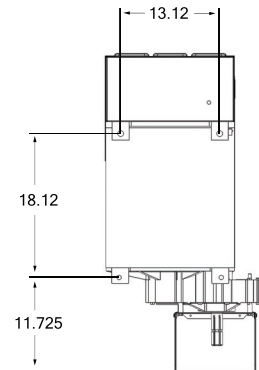
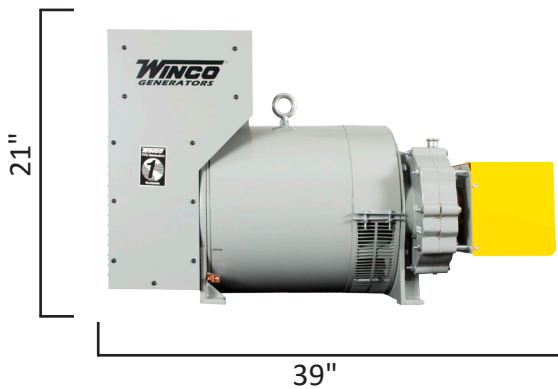
VOLTAGE REGULATION	+/- 5%
TOTAL HARMONIC DISTORTION	< 8%
RATING	125° C
TYPE	4 POLE REVOLVING FIELD
BRUSHLESS	NO
GENERATOR SPEED	1800 RPM
VOLTAGE CONTROL	BUCK BOOST TRANSFORMER
INSULATION	CLASS F

## RECEPTACLES

120 VOLT RECEPTACLES	(1) NEMA 5-20 20A DUPLEX
240 VOLT RECEPTACLES	(1) NEMA 6-50 50A
120/240 VOLT ANDERSON	350 AMPS

## SHIPPING

DIMENSIONS (LxWxH)	39" x 20" x 21"
NET WEIGHT	610 LBS
SHIPPING DIMENSIONS	44.25" x 28.5" x 28.25"
SHIP WEIGHT	620 LBS
FREIGHT CLASS	65



MOUNTING HOLE DIMENSIONS



Specifications are subject to change without notice.  
 225 S. Cordova Ave Le Center MN • 1-800-733-2112 • www.wincogen.com