

## Features

### Cast Iron Gearcase with Helical Gears

A 540 RPM operating speed makes for effective operation.

### Voltmeter

A large 3" voltmeter ensures the proper output.

### Premium Square D Circuit Breakers

Square D is the industry leader in circuit breaker protection.

### Protective PTO Shield

Shipped loose with generator.

### 4-Wire Anderson Full Power Plug Included

You supply the #4 THHN, we provide the plug.

### 100% Load Tested

You won't find statistical sampling here. We load test every generator before it leaves our facility.

## POWER TAKE-OFF

### 25,000 Continuous Watts



## Optional Accessories

### PTO Drive Shaft

1 1/8" - keyed x 1 3/8" - 6 spline Quick connect shafts are designed to handle the horsepower ratings required.

### Off-Road PTO Trailer

Our steel trailers are specifically designed to handle the torque of running a PTO generator.

### Three-Point Hitch Kit

Category 1 three-point hitch kits are easy to install and include a PTO shaft. (must purchase splined adaptor)

### 1000 RPM Gearcase Upgrade

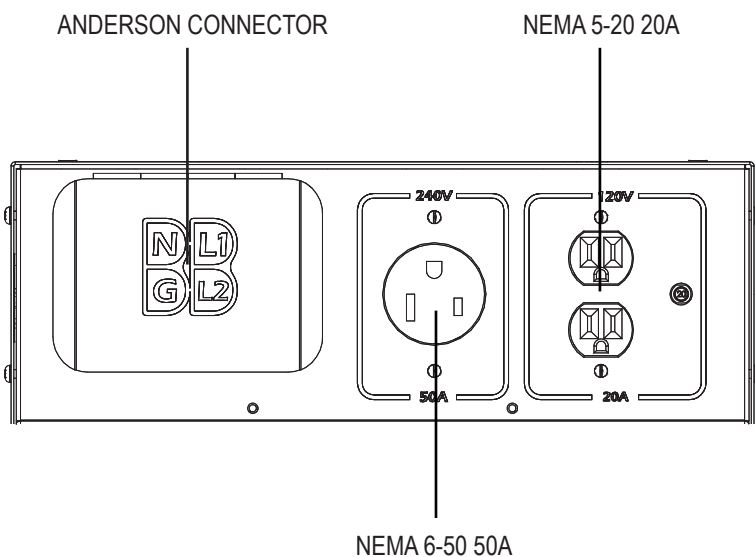
Factory installed.

### Splined Adaptor

A must when using with a 3-point hitch kit, 1000 RPM gearcase, or using a non- 1 1/8" keyed PTO shaft.

### Manual Transfer Switch

Set up your generator quickly and safely to restore power to critical circuit breakers.



## 25PTOC-3

|                                  |                |
|----------------------------------|----------------|
| CONTINUOUS WATTS                 | 25,000         |
| AMPS <sup>(1)</sup>              | 104            |
| OUTPUT                           | 120/240 V      |
| PHASE                            | SINGLE         |
| PTO INPUT SPEED                  | 540 RPM        |
| INPUT SHAFT SIZE                 | 1 1/8" - KEYED |
| REQUIRED INPUT HP <sup>(2)</sup> | 50             |
| MOTOR STARTING <sup>(3)</sup>    | 10 HP          |
| VOLTMETER                        | YES            |
| MAIN CIRCUIT BREAKER             | 100 AMP        |
| NEUTRAL BONDED                   | YES            |
| GROUND LUG                       | YES            |
| GEARCASE OIL                     | SAE 85W 90-140 |
| GEARCASE OIL CAPACITY            | 2 PINTS        |
| LIFTING EYE                      | YES            |
| WARRANTY                         | 3 YR           |

NOTES: (1) Unity (1.0) power factor (2) Required HP at PTO of tractor for full rated output. Each 2 HP of tractor power equals approximately 1 kW of electric power. (3) Code G capacitor start motor. Please consult factory or authorized dealer for further information.

## GENERATOR END

|                           |                           |
|---------------------------|---------------------------|
| VOLTAGE REGULATION        | +/- 7%                    |
| TOTAL HARMONIC DISTORTION | N/A                       |
| RATING                    | 125° C                    |
| TYPE                      | 2 POLE REVOLVING ARMATURE |
| BRUSHLESS                 | NO                        |
| GENERATOR SPEED           | 3600 RPM                  |
| VOLTAGE CONTROL           | RECTIFIER                 |
| INSULATION                | CLASS F                   |

## RECEPTACLES

|                       |                          |
|-----------------------|--------------------------|
| 120 VOLT RECEPTACLES  | (1) NEMA 5-20 20A DUPLEX |
| 240 VOLT RECEPTACLES  | (1) NEMA 6-50 50A        |
| 120/240 VOLT ANDERSON | 175 AMPS                 |

## SHIPPING

|                     |                      |
|---------------------|----------------------|
| DIMENSIONS (LxWxH)  | 29" x 16" x 20"      |
| NET WEIGHT          | 320 LBS              |
| SHIPPING DIMENSIONS | 33" x 25.5" x 24.25" |
| SHIP WEIGHT         | 330 LBS              |
| FREIGHT CLASS       | 65                   |

