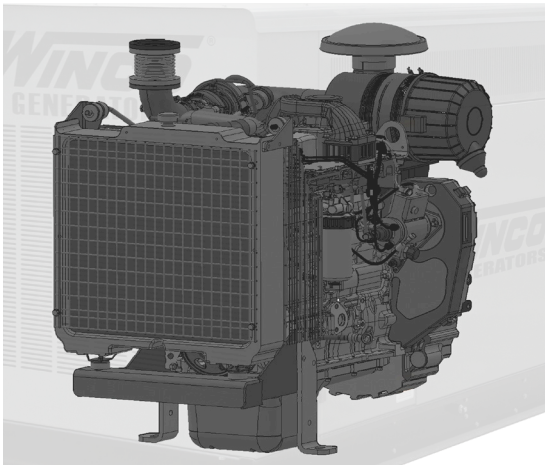


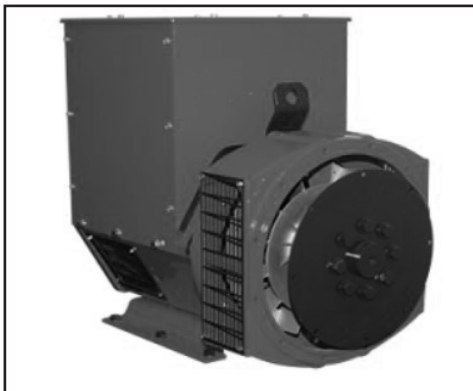
Rugged Design.



Industrial FPT Engine



Cummins Industrial Genend.



An American Company

We produce our products in our 200,000ft² facility located in Le Center, Minnesota, equipped with modern engineering, fabrication and assembly capabilities.



Full Load Tested

Every generator is 100% load tested



DSE 7310 Controller

Provides immediate performance information



Coolant Heater

120V in-line Hotstart coolant heater with thermostat



Battery Charger

5 Amp, smart marine charger standard



Galvanealed Steel Enclosure

Durable design with powder coat paint

UL2200 Listed

A safety standard for the design, construction, and performance of stationary generators

SPECIFICATIONS

ELECTRICAL

VOLTS	P.F.	STANDBY			MAIN CB
		WATTS	KVA	AMPS	
120/240 1-PH	1.0	45,000	45	187	175
120/208 3-PH	0.8	45,000	56	156	150
120/240 3-PH	0.8	45,000	56	135	150
277/480 3-PH	0.8	45,000	56	68	70
346/600 3-PH	0.8	45,000	56	54	70

ENGINE

ENGINE BRAND	FPT
ENGINE MODEL	N45 SM1
TIER	III
ENGINE STARTER	12V ELECTRIC
ENGINE SPEED	1800 RPM
ENGINE CYLINDERS	4
ENGINE HP	76
FREQUENCY	60 HZ
ALTERNATOR	90 AMPS 14V
FLYWHEEL	11.5"
ROTATION	CCW
ASPIRATION	TURBOCHARGED
COOLANT	1.9 GAL
BORE/STROKE	104 mm x 132 mm
DISPLACEMENT	4.5 L
RECOMMENDED OIL ⁽²⁾	15W-40 SAE
OIL CAPACITY	9 QT
INJECTION PUMP	STANADYNE TYPE
GOVERNOR	MECHANICAL
COMPRESSION RATIO	17.5:1
FAN TYPE	PUSHER
INTAKE AIR CONSUMPTION	189 CFM
RADIATOR COOLING AIR	4873 CFM
EXHAUST FLOW	195 CFM
EXHAUST OUTLET SIZE	3"
STARTING TEMP W/BLOCK HEATER	-20° F

NOTES: (1) Steady state frequency regulation. (2) The recommended oil is for normal applications. See operator's manual for the recommended oil for your needs. (3) Battery not included.

DR45

MOTOR STARTING (CODE G)	20 HP
DBA @ 7 METERS	74
TOTAL HARMONIC DISTORTION	< 5%
BONDED NEUTRAL	YES
FORK LIFT POCKETS	NO
ASSEMBLED IN	USA
EPA APPROVED	TIER III
CARB APPROVED	TIER III
CSA APPROVED	YES
UL2200	YES
UNIT WARRANTY ⁽¹⁾	2 YEAR/2000 HRS
STANDBY	

NOTES: (1) For more generator warranty, see operator's manual.

GENERATOR END

WINDING	
SINGLE PHASE	4 LEAD
THREE PHASE	12 LEAD
WINDING NUMBER	
SINGLE PHASE	06
THREE PHASE	311
VOLTAGE REGULATION	AVR +/- 1%
AVR TYPE	AS440
TEMPERATURE RISE	125/40° C
TYPE	REVOLVING FIELD
BRUSHLESS	YES
SPEED	1800 RPM
ROTOR	2/3 PITCH
WINDINGS	100% COPPER
STATOR WINDING	
06	SINGLE LAYER CONCENTRIC
311	DOUBLE LAYER CONCENTRIC
COUPLING	DIRECT/FLEXIBLE DISC
BEARINGS	SINGLE (MAINTENANCE FREE)
EFFICIENCY PEAK	
SINGLE PHASE 1.0 PF	84.0
THREE PHASE 0.8 PF	89.4
INSULATION	CLASS H
INGRESS PROTECTION	IP23

SPECIFICATIONS

DERATES

ABOVE SEA LEVEL 3281- 9843 FT >9843 FT	2% EVERY 1641 FT 4% EVERY 1641 FT
AMBIENT TEMPERATURE >104°F	2% PER 10°F

FUEL

TYPE	ASTM D975 NO-2D DIESEL
FUEL CONSUMPTION	GAL/HR
100%	3.90
75%	3.00
50%	2.10
25%	1.17
OPTIONAL FUEL TANK	L x W x H
180 GAL UL142	108" x 42" x 17"
320 GAL UL142	108" x 42" x 29"

BATTERY

DC SYSTEM	12V
BATTERY RACK/CABLE	INCLUDED
BATTERY CHARGER	5 AMP
REQUIRED BATTERY ⁽¹⁾	GROUP 24 650 CCA

NOTES: (1) Battery not included.

SHIPPING

SHIPPING DIMENSIONS (L x W x H)	115.5" x 48" x 65"
SHIP WEIGHT	1,790 LBS
FREIGHT CLASS	70

NOTES: Shipping dimensions are for an enclosed unit.

OPTIONAL ACCESSORIES

BATTERY
BATTERY HEATER
RECEPTACLE PANEL
MIMIC PANEL
REMOTE MONITORING
NFPA 110 LEVEL 1 UPGRADE

DSE 7310 CONTROLLER

ENGINE DISPLAY/PROTECTION	
ENGINE RPM	YES
LOW OIL PRESSURE	YES
HIGH COOLANT TEMP	YES
LOW COOLANT	YES
OVER/UNDER SPEED	YES
OVER CRANK	YES
CAN ECU SHUTDOWN	YES
ENGINE MAINTENANCE CODES	YES
GENSET DISPLAY/PROTECTION	
VOLTAGE (L-N & L-L)	YES
OVER/UNDER VOLTAGE	YES
FREQUENCY	YES
OVER/UNDER FREQUENCY	YES
AMP DISPLAY/SHUTDOWN	YES
PHASE IMBALANCE	DISABLED
KW, KVA, KVARH DISPLAY	YES
KWH, KVAH, KVARH DISPLAY	YES
GENERATOR PHASE SEQUENCE	OPTIONAL

ADDITIONAL DISPLAYS/PROTECTIONS	
EXTERNAL E-STOP	CUSTOMER SUPPLIED
BATTERY VOLTAGE	YES
BATTERY OVER/UNDER VOLTAGE	YES
COMMUNICATIONS	
USB CONNECTABLE	YES
RS232/RS485	YES
REMOTE DISPLAY PANEL	OPTIONAL
DSE WEB NET	OPTIONAL
ADDITIONAL FEATURES	
AUDIBLE ALARM	YES
ENGINE EXERCISER	DISABLED
MAINTENANCE INTERVAL TIMER	DISABLED
LOAD SHEDDING/DUMMY	DISABLED
CONFIGURABLE INPUTS	4 (EXPANDABLE)
CONFIGURABLE OUTPUTS	4 (EXPANDABLE)
EVENT LOG	250

Specifications are subject to change without notice.

