



- Reliance Controls ○
"The leader in portable standby power integration"
- GFCI Compatible ○
Works with GFCI protected generators
- Bonded-Neutral Compatible ○
Meets NEC code with generators with bonded neutrals.
You will be able to safely use your portable generator on the go or to power your home
- Durable Design ○
Powder coated steel housing

SPECIFICATIONS

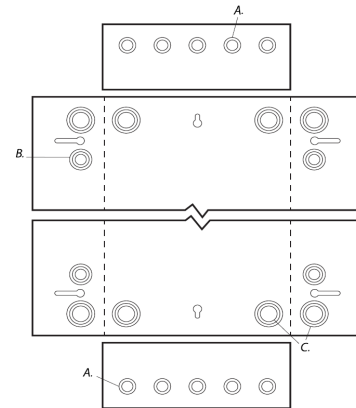
AMPS	60
PANEL	INDOOR
CIRCUIT BREAKER SLOTS	
SINGLE	10
TANDEM	18
COMPATIBLE CIRCUIT BREAKERS	
SIEMENS	OP, OT, OPH, HOP, OPF, OPHF, OFP, OE, OEH
SQUARE D	HOM (100A MAX)
MURRAY	MP
WESTINGHOUSE	BD, BR, BO, GFC (ALL 100A MAX)
DIMENSIONS (W x D x H)	12.38" x 3.38" x 15.75"
SHIPPING WEIGHT	17 lbs
WARRANTY	1 YR

OPTIONAL ACCESORIES

CORD SET & BOX ⁽¹⁾	14-60 60A
-------------------------------	-----------

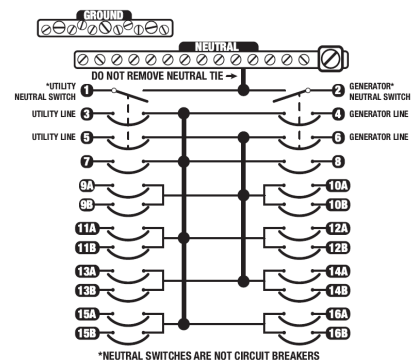
Notes: (1) An inlet box required, there is no plug connected to panel.

KNOCKOUT PATTERN



A. 10 KOs for 0.5", 0.75" Conduit
B. 4 KOs for 0.5", 0.75", 1.0" Conduit
C. 4 KOs for 0.75", 1.0", 1.25" Conduit

WIRING DIAGRAM



Specifications are subject to change without notice.