

WINCO[®] GENERATORS

TB4800 4,800 WATTS

An American Company

We produce our products in our 200,000ft² facility located in Le Center, Minnesota, equipped with modern engineering, fabrication and assembly capabilities.



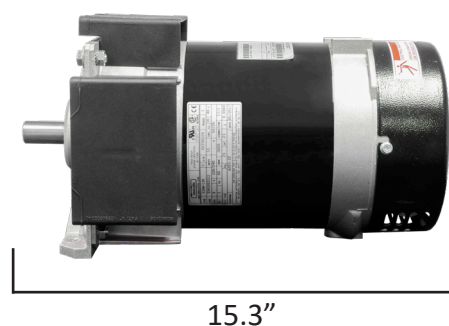
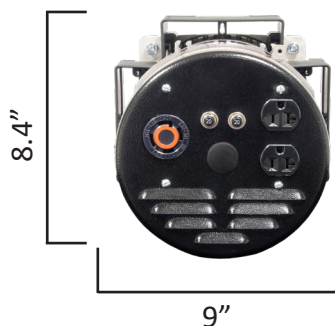
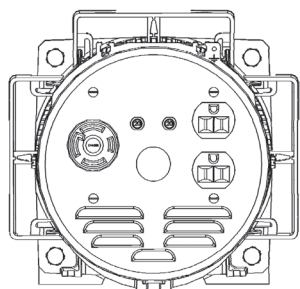
Specifications

WATTS	4800
AMPS	40/20
VOLTS	120/240
ROTOR SPEED	3600 RPM
MOTOR STARTING	1.5 HP
BRUSHLESS	YES
SHAFT DIAMETER	0.875"
SHAFT KEY WAY	0.187" X 1"
CIRCUIT BREAKER	(2) 20 AMP
120V RECEPTACLES	(1) NEMA 5-20R DUPLEX
240V RECEPTACLES	(1) NEMA L14-30R
WATER RESISTANCE	IP23 COVERS
INSULATION PROTECTION	EG43 VARNISH
TÜV CERTIFICATION	UL1004
NET WEIGHT	50 LBS
SHIPPING DIMENSIONS	16" x 12" x 10"
SHIPPING WEIGHT	54 LBS
WARRANTY ⁽¹⁾	1 YR

NOTES (1) For more generator warranty, see operator's manual.



Receptacle Panel



Specifications are subject to change without notice.

