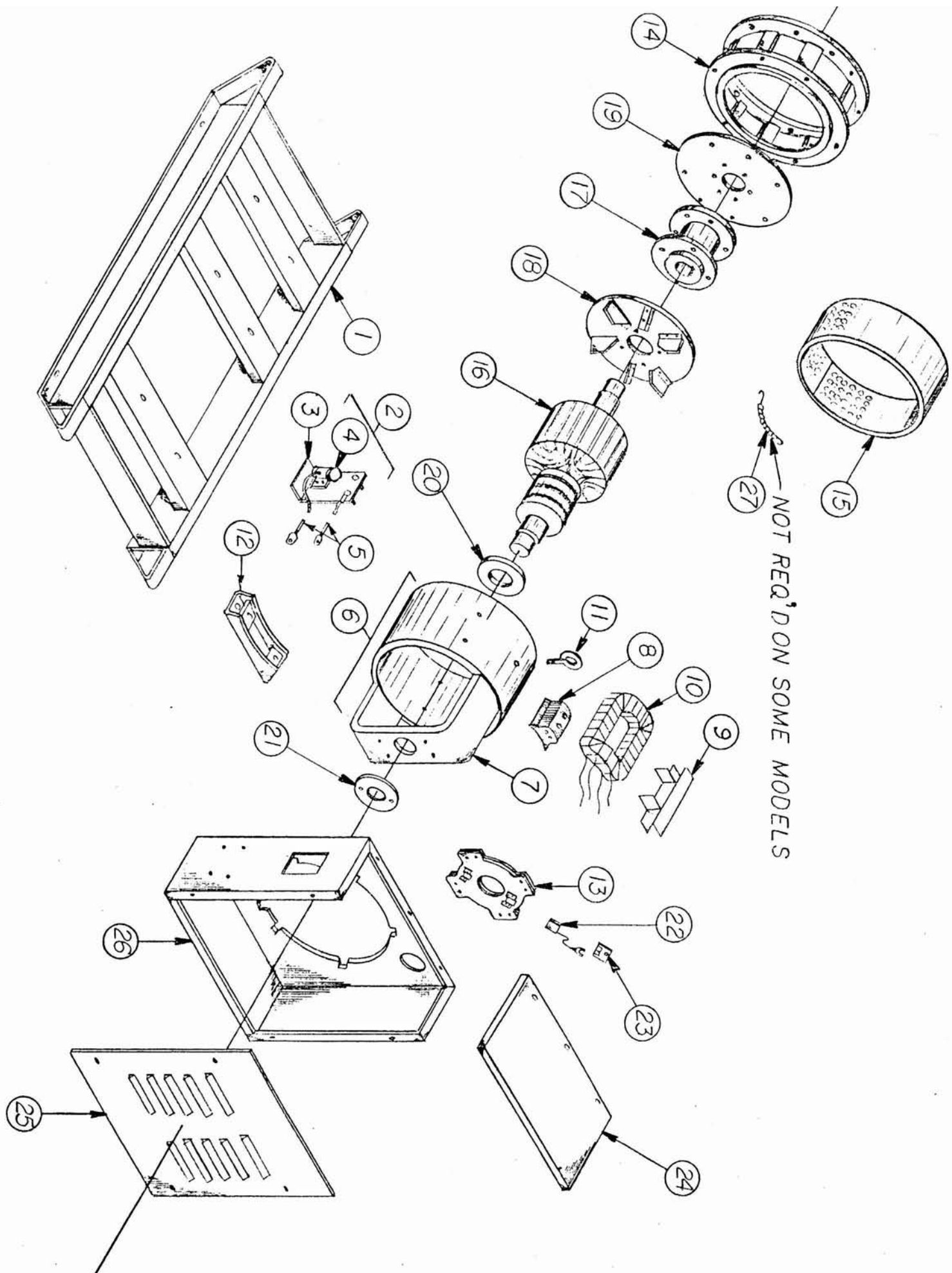


PARTS LIST
GR20W4-C
GR20W4-D
GR20W4-J

<u>FIND NO.</u>	<u>PART NO.</u>	<u>DESCRIPTION</u>	<u>REQ/UNIT</u>
Not Shown	EC-12903	Engine Wisc V465D	1
1	G-5498	Skid	1
2	G-5135	Start Contactor Assy	1
3	S-5859	Bracket	1
4	EE-1201	Solenoid	1
5	EN-7.47	Battery Cable	2
6	G-5432-13	Field Frame Assy (GR20W4-C)	1
6	G-5432-12	Field Frame Assy (GR20W4-D)	1
6	G-5432-15	Field Frame Assy (GR20W4-J)	1
7	G-5431-1	Field Frame	1
8	G-5037	Field Pole	4
9	J-635	Coil Shield	8
10	H-1019	Field Coil (GR20W4-C)	Set of 4
10	H-1037	Field Coil (GR20W4-D)	Set of 4
10	H-1032-1	Field Coil (GR20W4-J)	Set of 4
11	S-859	Lift Ring	1
12	G-5225	Generator Supt	1
13	G-5430	Brush Gear Assy	1
14	I-841	Engine Adapter	1
15	G-5036-1	Cover - Engine Adapter	1
16	G-5370-4	Armature Assy (GR20W4-C)	1
16	G-5370-3	Armature Assy (GR20W4-D)	1
16	G-5370-37	Armature Assy (GR20W4-J)	1
17	I-826	Coupling Hub	1
18	G-2313-6	Fan Assy	1
19	S-6419	Coupling Disc	4
20	D-8	Bearing	1
21	W-4	Bearing Retainer	1
22	Y-51	Brush	12
23	G-3422	Brush Spring	12
24	S-6927	Panel Top Cover	1
25	S-5851-2	Panel Front	1
26	G-5706	Panel Back Assy (GR20W4-C)	1
26	G-5706-1	Panel Back Assy (GR20W4-D)	1
26	G-5706-5	Panel Back Assy (GR20W4-J)	1
	Wiring Diagram	(GR20W4-C) Z-2054, C-6127	
	Wiring Diagram	(GR20W4-D) Z-2055, C-6128	
	Wiring Diagram	(GR20W4-J) Z-2149, C-6254	
	Parts Drawing	E-8579	

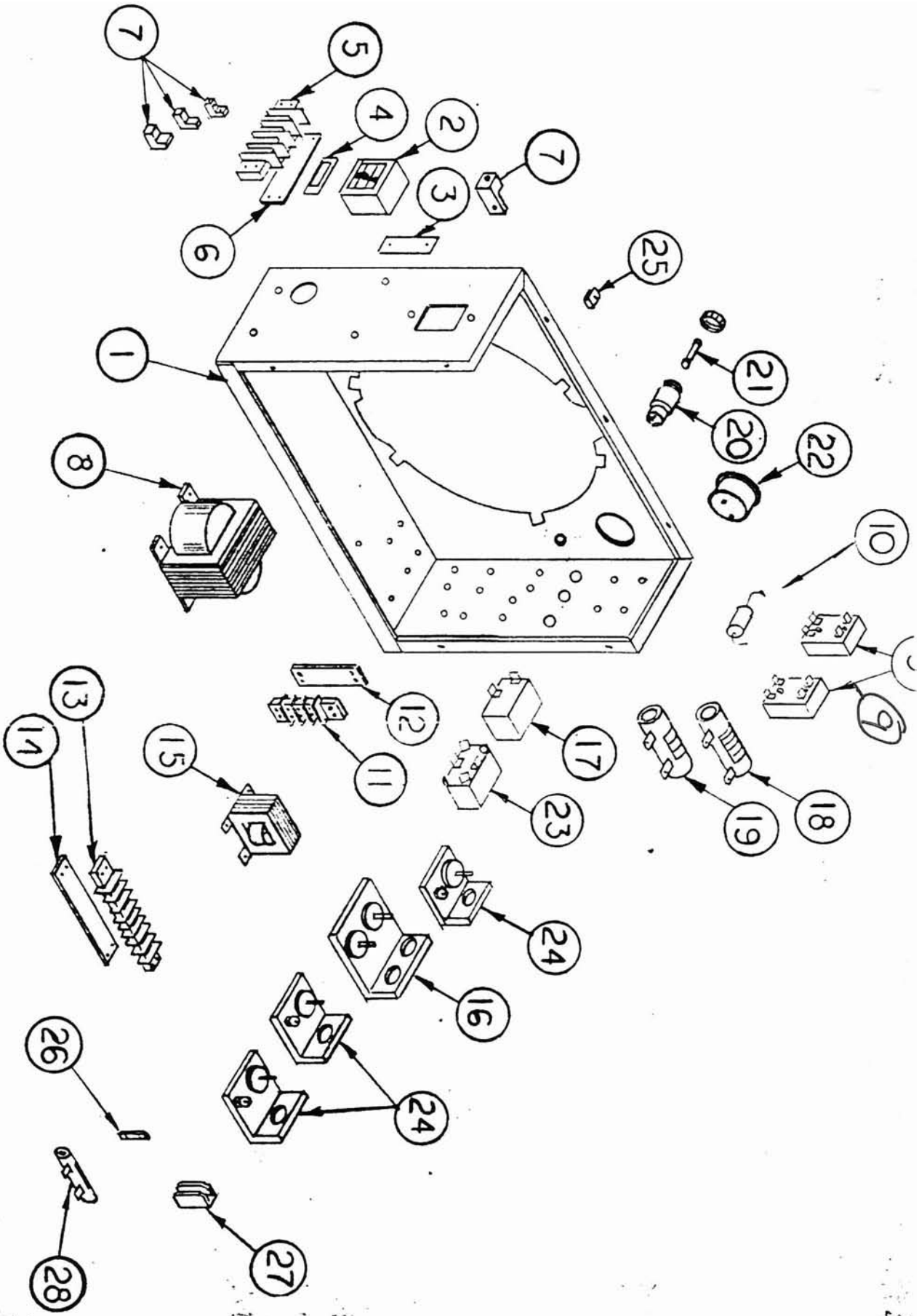
GR20W4 C, D, J



NOT REQ'D ON SOME MODELS

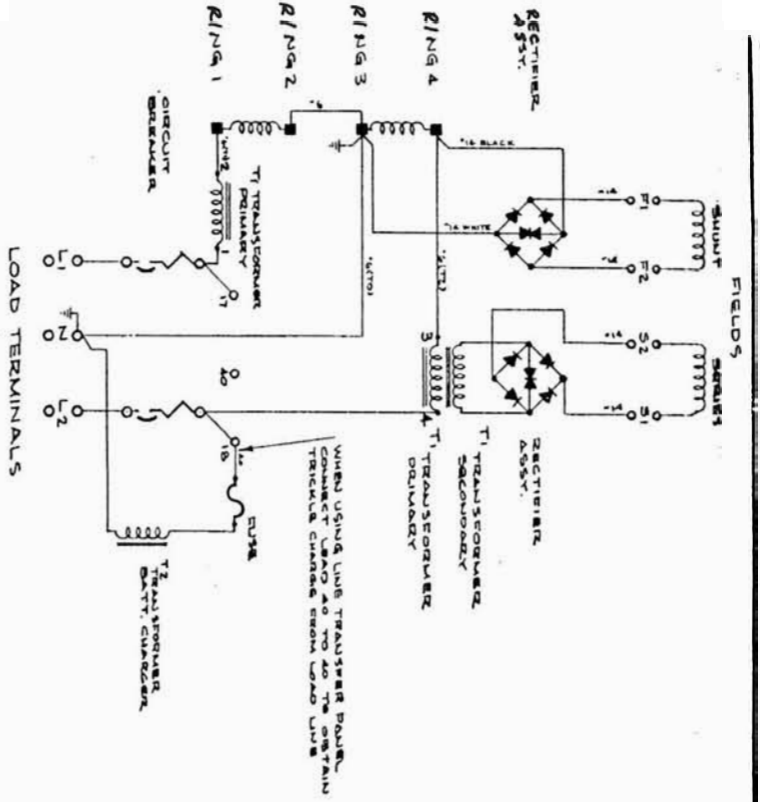
PARTS LIST
PANEL BACK ASSY
G-5706

<u>FIND NO.</u>	<u>PART NO.</u>	<u>DESCRIPTION</u>	<u>REQ'D/UNIT</u>
1	G-5838-3	Panel Back Assy	1
2	EE-1818	Circuit Breaker	1
3	S-5027-1	Mounting Plate	1
4	EE-779	Filler Plate	1
5	EE-658	Terminal Board	1
6	EE-658-1	Marker	1
7	EE-1671	Lug	4
8	EE-1963	Transformer	2
* 9	EE-2171-4	Rectifier Assy	2
10	EE-2142	Thyrector	1
11	EE-654	Terminal Board 4 P	1
12	EE-654-1	Marker	1
13	EE-656	Terminal Board 10 P	1
14	EE-656-1	Marker	1
15	EE-1951	Batt. Charge Trans	1
16	G-4581	Rectifier Assy	1
17	EE-151	Hi-Lo Chg. Switch	1
18	R-217	Resistor 0.8 Ohm 40 W	1
19	R-107	Resistor 10 Ohm 25 W	1
20	EE-425	Fuse Holder	1
21	EE-445	Fuse	1
22	AM-100	Ammeter - Batt Chg.	1
23	EE-165	Switch - Start	1
24	G-5183-1	Rectifier Assy	3
25	4957	Tinnerman	7
26	EE-441	Fuse	1
27	EE-425	Fuse Block	1
28	R-95	Resistor	1
	Wiring Diagram	(GR20W4-C) C-6127	
	Wiring Diagram	(GR20W4-CN) C-6351	
		(GR20W4-CVL) C-6351	
		(GR20W4-CVH) C-6351	
	Parts Drawing	E-8580	



IE - 8580

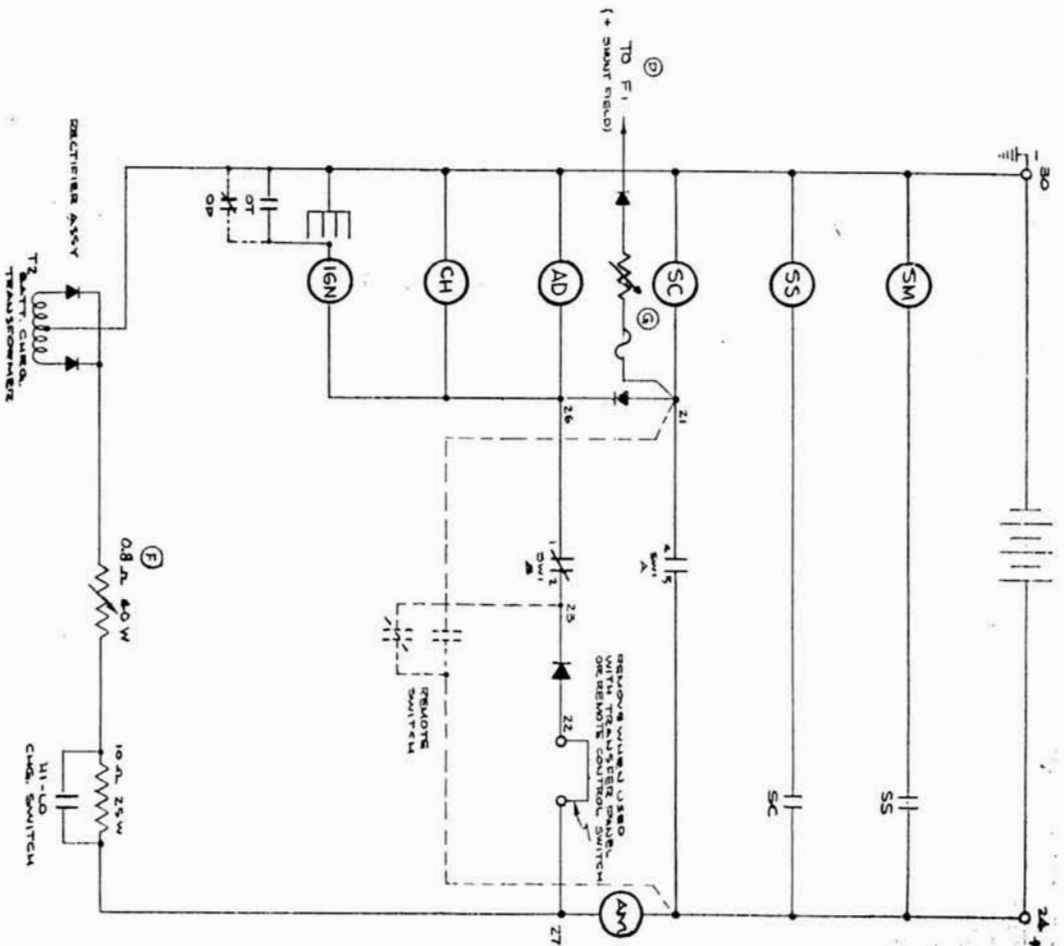
711 35000
 110 2100



LOAD TERMINALS

WHEN USING LINE TRANSFORMER POWER, CONNECT THE SECONDARY WINDING OF THE TRANSFORMER TO THE LINE THROUGH THE CIRCUIT BREAKER.

DC CIRCUIT



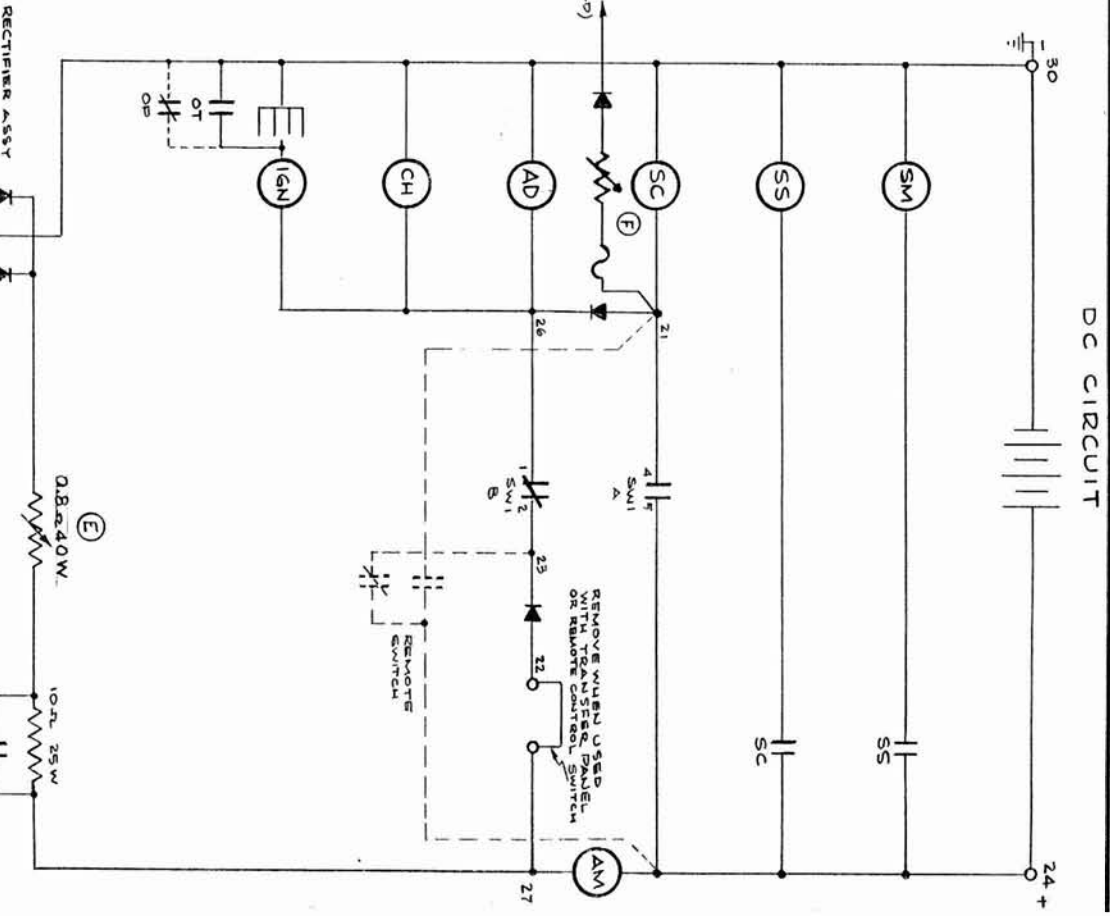
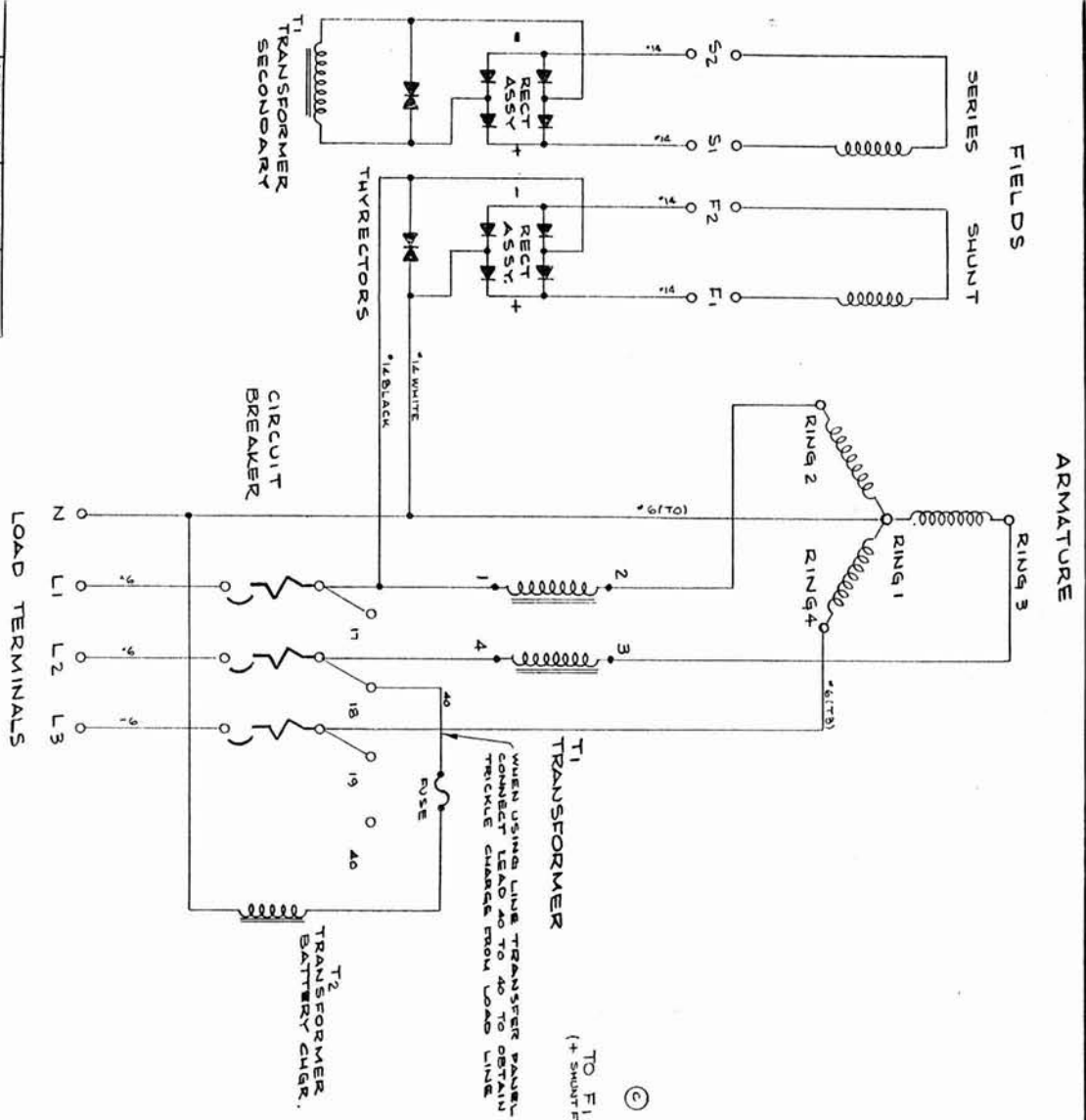
ADD DATE	3-26-73	FC:
REVISION	5-2-72	FSC
DATE	3-4-71	T.C.G.
DATE	9-21-70	T.C.G.
DATE	8-7-70	J.F.R.
DATE	2-9-70	V.F.P.
DATE	3-18-69	T.G.
DATE		STG
DATE		CHG

NO. RECD.	NO. RECD.
MATERIAL	MATERIAL
NO. RECD.	NO. RECD.
MATERIAL	MATERIAL

LEGEND
 AD AUTI-DIESEL SOLUTIONS
 CH CHOKES
 SC START MOTOR SOLENOID
 SM START MOTOR SOLENOID
 SS START MOTOR SOLENOID
 OT OVER TRIP SHUTDOWN OR PROTECTIVE SHUTDOWN (GENERAL)

SW-1	START	STOP
A	X	O
B	X	X
C	X	O

WIRING DIAGRAM
 KIT NO. 6-13-69
 PART NO. IC-6127
 WINPOWER MFG. CO.
 NEWTON, IOWA



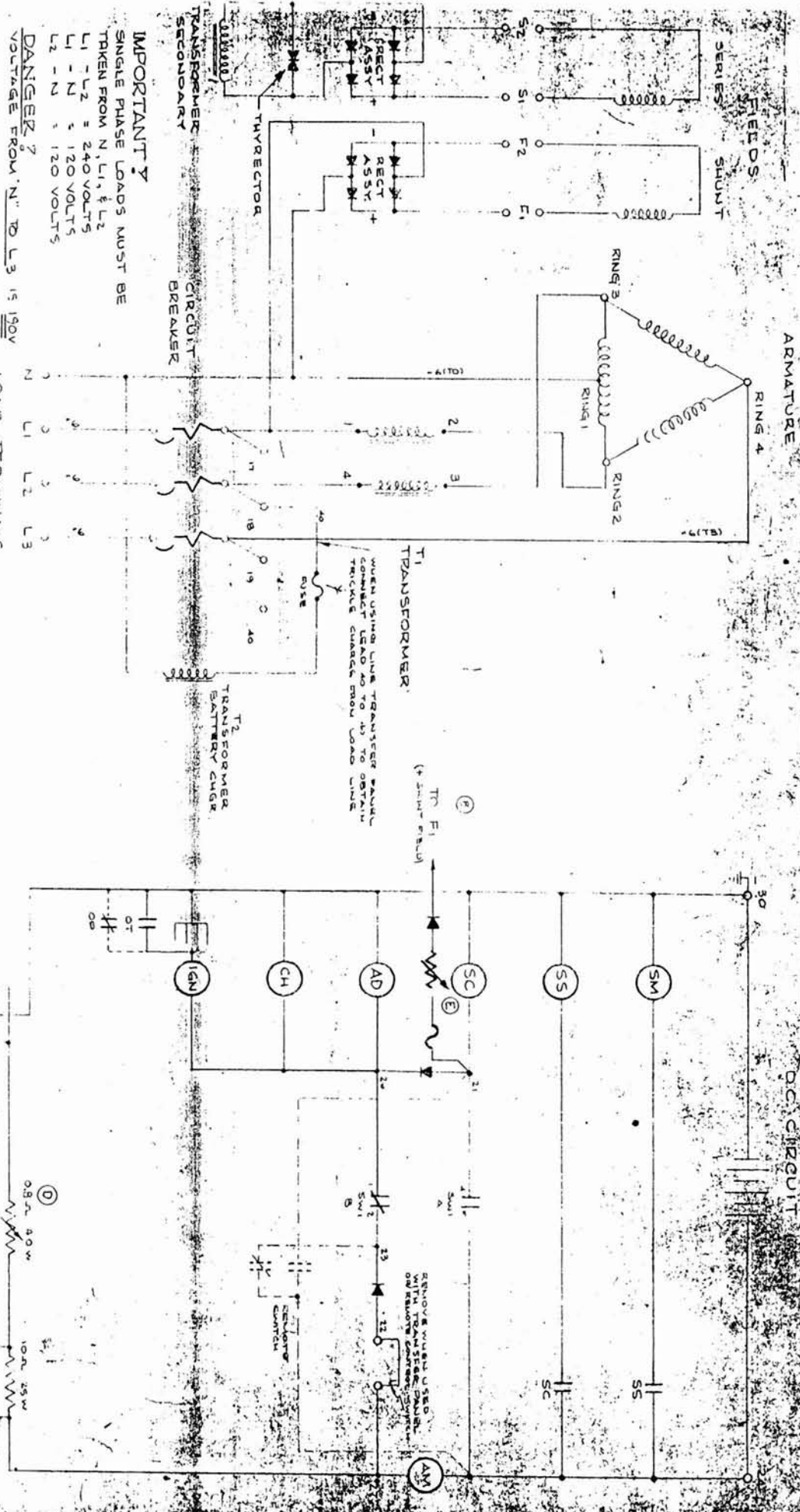
ITEM	ADD. FUSE	3-2-673	FC
1	ADD. FUSE	3-2-673	FC
2	REF. 1-3-02	5-2-72	FSC
3	ADD. FUSE	3-4-71	T.C.G.
4	ADD. FUSE	9-21-70	T.C.G.
5	ADD. FUSE	8-7-70	JFP
6	ADD. FUSE	9-18-69	T.G.
7	ADD. FUSE		CHK'D
8	ADD. FUSE		CHK'D
9	ADD. FUSE		CHK'D
10	ADD. FUSE		CHK'D
11	ADD. FUSE		CHK'D
12	ADD. FUSE		CHK'D
13	ADD. FUSE		CHK'D
14	ADD. FUSE		CHK'D
15	ADD. FUSE		CHK'D
16	ADD. FUSE		CHK'D
17	ADD. FUSE		CHK'D
18	ADD. FUSE		CHK'D
19	ADD. FUSE		CHK'D
20	ADD. FUSE		CHK'D
21	ADD. FUSE		CHK'D
22	ADD. FUSE		CHK'D
23	ADD. FUSE		CHK'D
24	ADD. FUSE		CHK'D
25	ADD. FUSE		CHK'D
26	ADD. FUSE		CHK'D
27	ADD. FUSE		CHK'D
28	ADD. FUSE		CHK'D
29	ADD. FUSE		CHK'D
30	ADD. FUSE		CHK'D
31	ADD. FUSE		CHK'D
32	ADD. FUSE		CHK'D
33	ADD. FUSE		CHK'D
34	ADD. FUSE		CHK'D
35	ADD. FUSE		CHK'D
36	ADD. FUSE		CHK'D
37	ADD. FUSE		CHK'D
38	ADD. FUSE		CHK'D
39	ADD. FUSE		CHK'D
40	ADD. FUSE		CHK'D
41	ADD. FUSE		CHK'D
42	ADD. FUSE		CHK'D
43	ADD. FUSE		CHK'D
44	ADD. FUSE		CHK'D
45	ADD. FUSE		CHK'D
46	ADD. FUSE		CHK'D
47	ADD. FUSE		CHK'D
48	ADD. FUSE		CHK'D
49	ADD. FUSE		CHK'D
50	ADD. FUSE		CHK'D

NO.	REQ'D.	MATERIAL
1	1	REMOV. ALL BURRS
2	1	BREAK ALL SHARP
3	1	MACHINED EDGES
4	1	NO. 100
5	1	NO. 100
6	1	NO. 100
7	1	NO. 100
8	1	NO. 100
9	1	NO. 100
10	1	NO. 100
11	1	NO. 100
12	1	NO. 100
13	1	NO. 100
14	1	NO. 100
15	1	NO. 100
16	1	NO. 100
17	1	NO. 100
18	1	NO. 100
19	1	NO. 100
20	1	NO. 100
21	1	NO. 100
22	1	NO. 100
23	1	NO. 100
24	1	NO. 100
25	1	NO. 100
26	1	NO. 100
27	1	NO. 100
28	1	NO. 100
29	1	NO. 100
30	1	NO. 100
31	1	NO. 100
32	1	NO. 100
33	1	NO. 100
34	1	NO. 100
35	1	NO. 100
36	1	NO. 100
37	1	NO. 100
38	1	NO. 100
39	1	NO. 100
40	1	NO. 100
41	1	NO. 100
42	1	NO. 100
43	1	NO. 100
44	1	NO. 100
45	1	NO. 100
46	1	NO. 100
47	1	NO. 100
48	1	NO. 100
49	1	NO. 100
50	1	NO. 100

NO.	REQ'D.	MATERIAL
1	1	REMOV. ALL BURRS
2	1	BREAK ALL SHARP
3	1	MACHINED EDGES
4	1	NO. 100
5	1	NO. 100
6	1	NO. 100
7	1	NO. 100
8	1	NO. 100
9	1	NO. 100
10	1	NO. 100
11	1	NO. 100
12	1	NO. 100
13	1	NO. 100
14	1	NO. 100
15	1	NO. 100
16	1	NO. 100
17	1	NO. 100
18	1	NO. 100
19	1	NO. 100
20	1	NO. 100
21	1	NO. 100
22	1	NO. 100
23	1	NO. 100
24	1	NO. 100
25	1	NO. 100
26	1	NO. 100
27	1	NO. 100
28	1	NO. 100
29	1	NO. 100
30	1	NO. 100
31	1	NO. 100
32	1	NO. 100
33	1	NO. 100
34	1	NO. 100
35	1	NO. 100
36	1	NO. 100
37	1	NO. 100
38	1	NO. 100
39	1	NO. 100
40	1	NO. 100
41	1	NO. 100
42	1	NO. 100
43	1	NO. 100
44	1	NO. 100
45	1	NO. 100
46	1	NO. 100
47	1	NO. 100
48	1	NO. 100
49	1	NO. 100
50	1	NO. 100

NO.	REQ'D.	MATERIAL
1	1	REMOV. ALL BURRS
2	1	BREAK ALL SHARP
3	1	MACHINED EDGES
4	1	NO. 100
5	1	NO. 100
6	1	NO. 100
7	1	NO. 100
8	1	NO. 100
9	1	NO. 100
10	1	NO. 100
11	1	NO. 100
12	1	NO. 100
13	1	NO. 100
14	1	NO. 100
15	1	NO. 100
16	1	NO. 100
17	1	NO. 100
18	1	NO. 100
19	1	NO. 100
20	1	NO. 100
21	1	NO. 100
22	1	NO. 100
23	1	NO. 100
24	1	NO. 100
25	1	NO. 100
26	1	NO. 100
27	1	NO. 100
28	1	NO. 100
29	1	NO. 100
30	1	NO. 100
31	1	NO. 100
32	1	NO. 100
33	1	NO. 100
34	1	NO. 100
35	1	NO. 100
36	1	NO. 100
37	1	NO. 100
38	1	NO. 100
39	1	NO. 100
40	1	NO. 100
41	1	NO. 100
42	1	NO. 100
43	1	NO. 100
44	1	NO. 100
45	1	NO. 100
46	1	NO. 100
47	1	NO. 100
48	1	NO. 100
49	1	NO. 100
50	1	NO. 100

WINPOWER MFG. CO.
NEWTON, IOWA



IMPORTANT!
 SINGLE PHASE LOADS MUST BE
 TAKEN FROM N, L1, & L2
 L1 - L2 = 240 VOLTS
 L1 - N = 120 VOLTS
 L2 - N = 120 VOLTS
DANGER!
 VOLTAGE FROM "N" TO L3 IS 190V

ALL WIRING "AS SHOWN" EXCEPT AS LISTED

REVISE	2-2-74	SE
ACC FUSE	3-20-73	FC
CHG VIA 25W	5-2-72	FSC
10.0A 25W		
DESIGN	3-4-71	T.C.G.
DATE	9-21-70	T.C.G.
APPROVED		J.F.E.
DATE		
CHK'D		CHK'D
DATE		

REMOVE ALL BURRS BREAK ALL SHARP MACHINED EDGES	NO. REQ'D	NO. ON HAND
MATERIAL		
	001-10-970	

LEGEND

AM	AMMETER
AD	AUTOTRANSFORMER
CH	CHOKE
IGN	IGNITION
SM	START MOTOR
SS	START MOTOR SOLENOID
OT	OVER TEMP SHUTDOWN
OP	OVER PRESSURE SHUTDOWN (optional)

SW1 SWITCH LEGEND

SW1	START RUN STOP
A-O	X
S-O	X
I-O	X

WIRING DIAGRAM

DATE	4-22-70	MODEL NO.	
REV	T.C.G.	PART NO.	E-214
CHK'D		DATE	

WINPOWER MFG. CO.
 NEWTON, IOWA