

## PARTS LIST

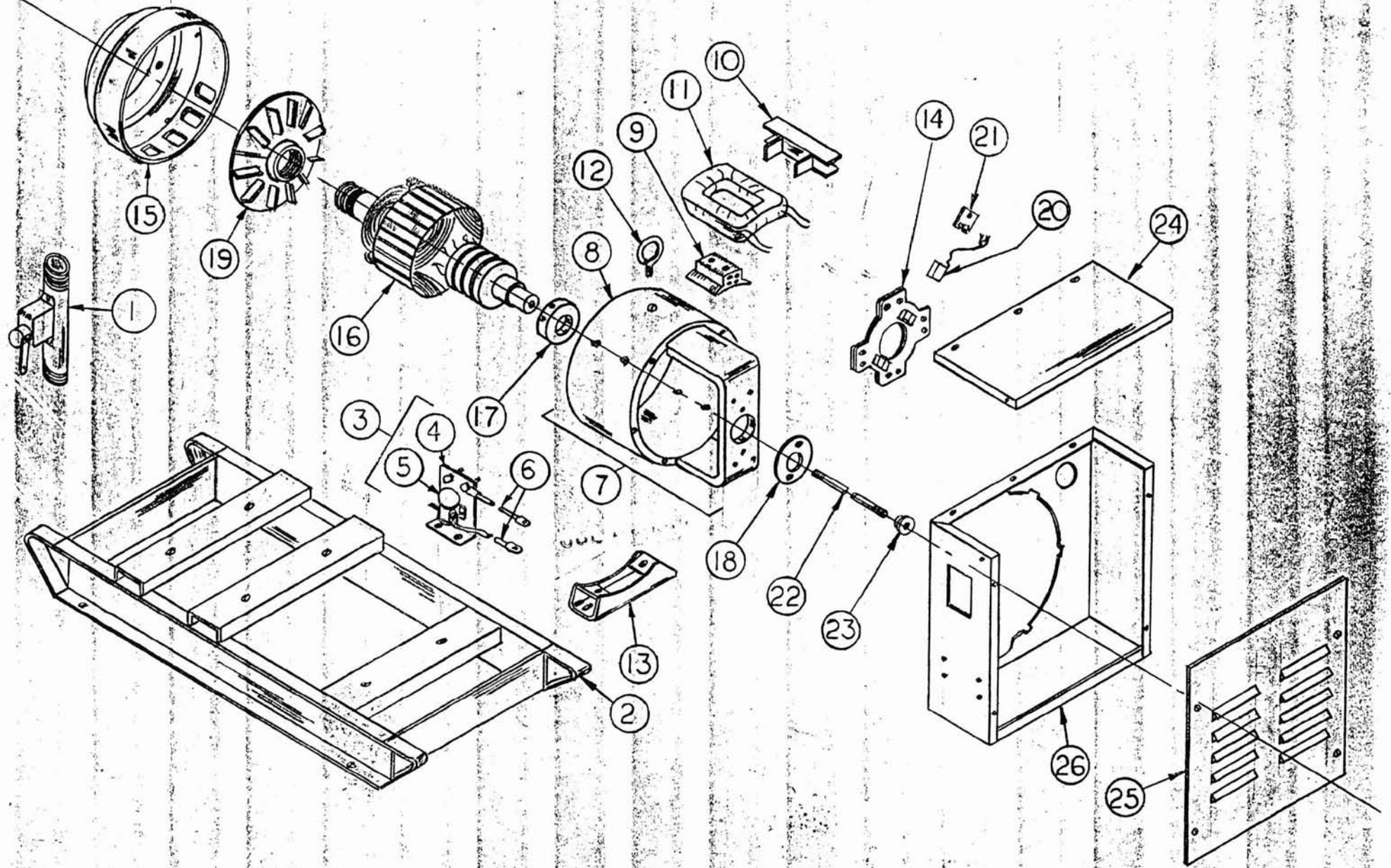
GE6W4-C  
GR6W4-C  
GE6W4-D  
GR6W4-D

<u>FIND NO.</u>	<u>PART NO.</u>	<u>DESCRIPTION</u>	<u>REQ/UNIT</u>
Not Shown	EC-12406	Engine Wisc TJD	1
1	G-5912	Automatic Choke (GR6W4-C & D)	1
2	G-5457	Skid	1
3	G-5135	Start Contactor Assy	1
4	S-5859	Bracket	
5	EE-1201	Start Contactor	
6	EN-7.42	Battery Cable	2
7	G-5361-13	Field Frame Assy (GE & GR6W4-C)	1
7	G-5361-05	Field Frame Assy (GE & GR6W4-D)	1
8	G-5359	Field Frame	1
9	G-5360	Field Pole Assy	4
10	J-544	Coil Shield	8
11	H-1028	Field Coil (GE & GR6W4-D) Set of	4
11	H-1068	Field Coil (GE & GR6W4-C) Set of	4
12	S-859	Lift Ring	1
13	G-5225	Generator Supt	1
14	G-5454	Brush Gear Assy	1
15	I-839	Drive End Bell	1
16	G-5370-35	Armature Assy (GE & GR6W4-C)	1
16	G-5370-26	Armature Assy (Ge & GR6W4-D)	1
17	D-8	Bearing	1
18	W-43	Bearing Retainer	1
19	I-862	Fan	1
20	Y-51	Brush	4
21	G-3422	Brush Spring	4
22	S-6407-1	Stud	1
23	S-6449	Shoulder Washer	1
24	S-5968	Panel Top	1
25	S-6301	Panel Front (Receipt) (GE6W4-C)	1
25	S-6301-1	Panel Front (Receipt) (GE6W4-D)	1
25	S-5851-2	Panel Front	1
26	G-5537	Panel Back Assy (GE6W4-C)	1
26	G-5738-2	Panel Back Assy (GE6W4-D)	1
26	G-5738	Panel Back Assy (GR6W4-C)	1
26	G-5738-1	Panel Back Assy (GR6W4-D)	1

Wiring Diagram (GE6W4-C) Z-2118, C-6208  
Wiring Diagram (GE6W4-D) Z-2119, C-6209  
Wiring Diagram (GR6W4-C) Z-2073, C-6140  
Wiring Diagram (GR6W4-D) Z-2109, C-6191

Parts Drawing E-8555

IE-8555



JUN 25 1977

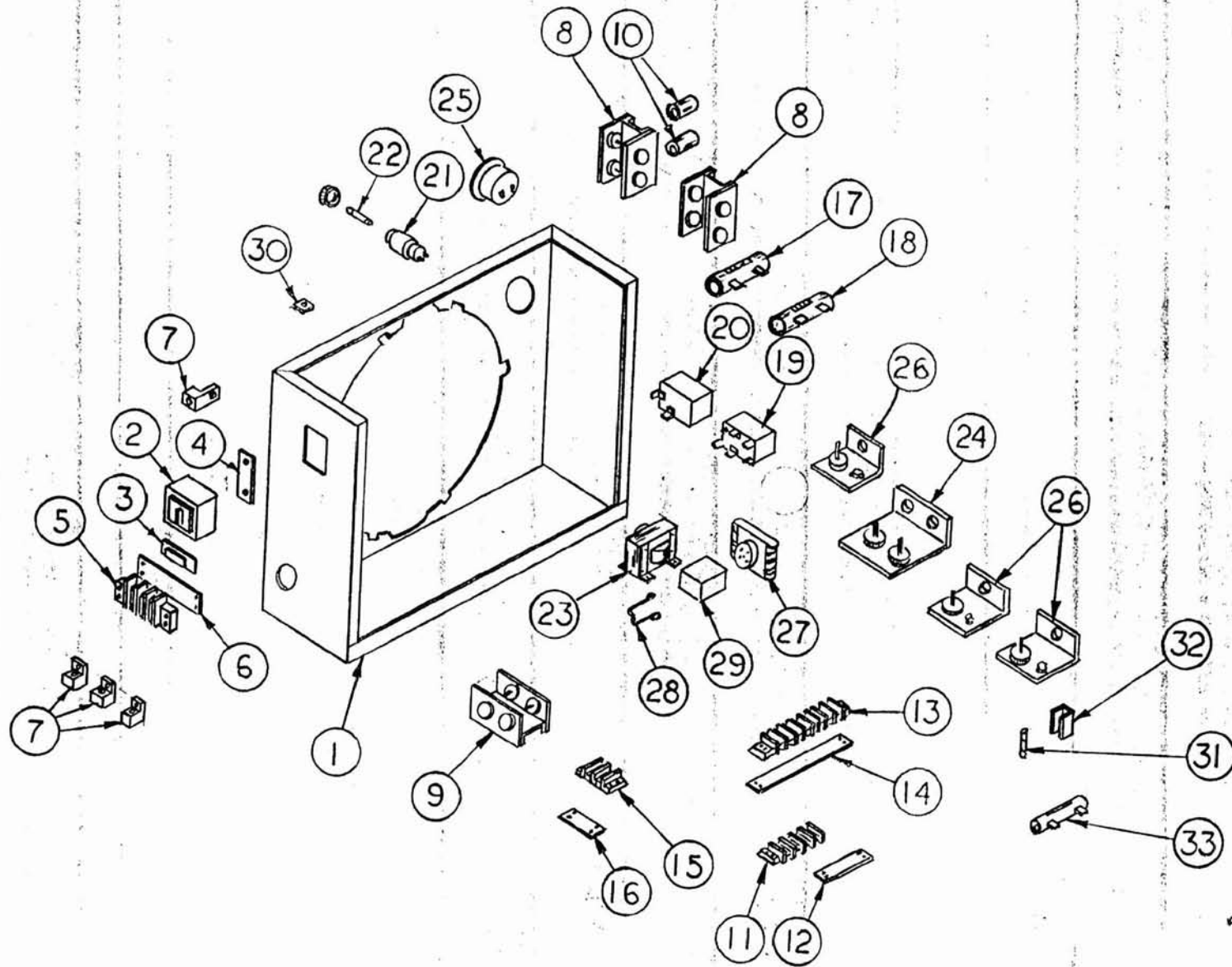
JUN 27 1974

IE-8555

PARTS LIST  
 PANEL BACK ASSY

G-5537 (GE6W4-C)  
 G-5738-2 (GE6W4-D)

<u>NO.</u>	<u>PART NO.</u>	<u>PART DESCRIPTION</u>	<u>REQ/UNIT</u>
1	G-5838-3	Panel Weld Assembly	1
2	EE-1804	Circuit Breaker (GE6W4-C)	1
2	EE-1842	Circuit Breaker (GE6W4-D)	1
3	EE-779	Filler Plate (GE6W4-C)	1
4	S-5027-1	Mounting Plate	1
5	EE-658	Terminal Board	1
6	EE-658-1	Marker Strip	1
7	EE-1671	Lug	4
8	G-4862-5	Rectifier Assembly (Series)	2
9	G-4862-6	Rectifier Assembly (Shunt)	1
10	S-6305	Spacer	6
11	EE-1677	Terminal Board 4P	1
12	EE-1677-1	Marker Strip	1
13	EE-660	Terminal Board 12P	1
14	EE-660-1	Marker Strip	1
15	EE-645	Terminal Board 2P	1
16	EE-645-1	Marker Strip	1
17	R-107	Resistor 10 Ohm 25W	1
18	R-217	Resistor .8 Ohm 40W	1
19	EE-167	Ignition Switch	1
20	EE-151	Switch, Hi-Lo Batt	1
21	EE-425	Fuse Holder	1
22	EE-445	Fuse	1
23	EE-1951	Transformer Batt Chg	1
24	G-4581	Rectifier Assy Batt Chg	1
25	AM-100	Ammeter Batt Chg	1
26 } 27 } 28 } 29 }	Not Applicable		
30	4957	Tinnerman	7
(Not Shown)	EE-174	Switch Push Button	
	Wiring Diagram	C-6208 (GE6W4-C)	
	Wiring Diagram	C-6209 (GE6W4-D)	
	Parts Drawing	E-8626	

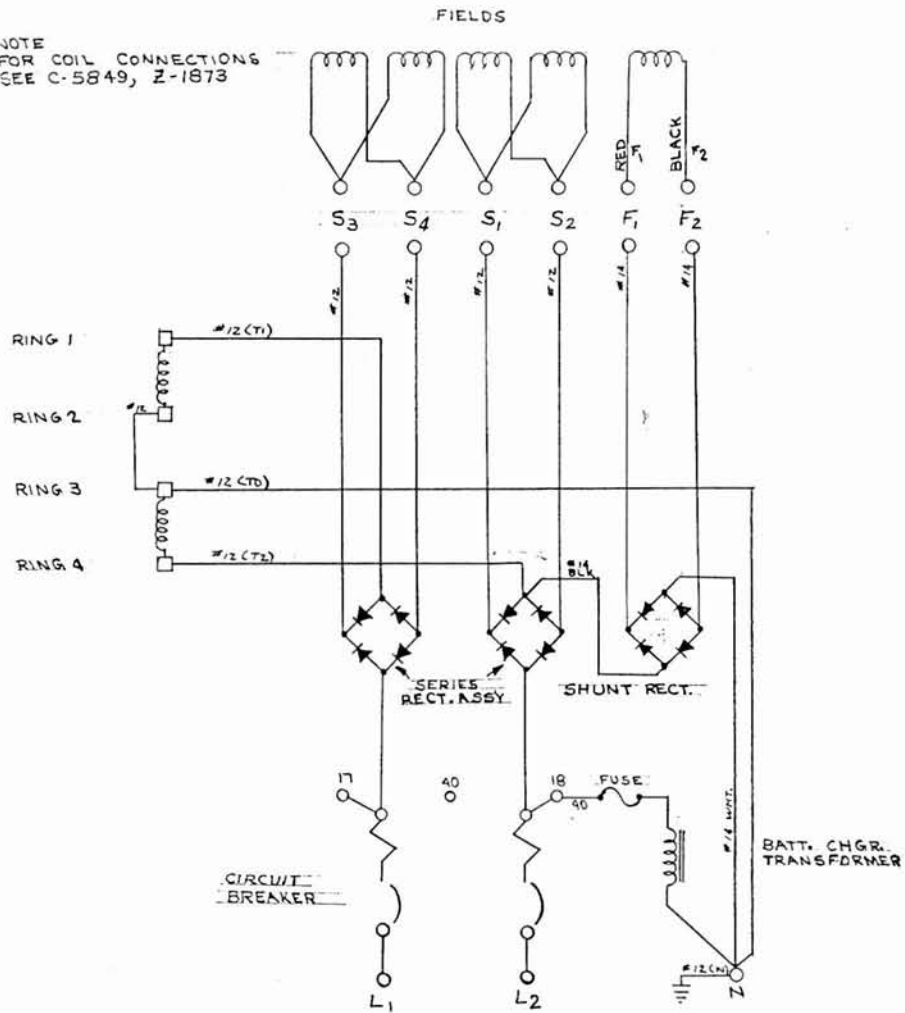


JUN 26 1974

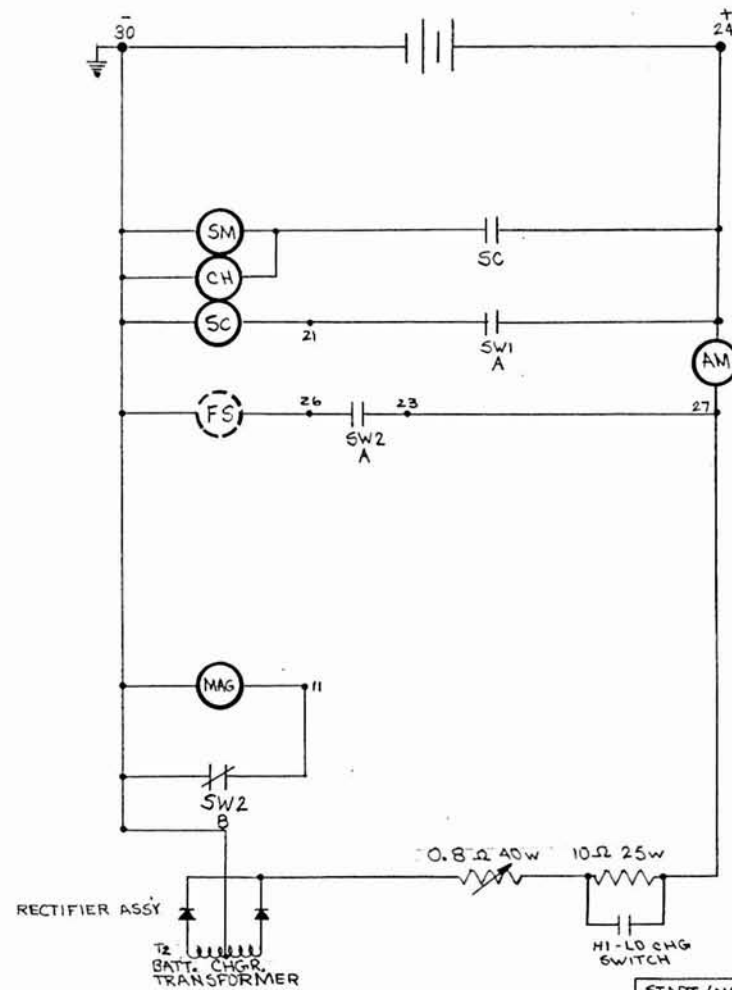
JUN 27 1974 IE-8626

# IC 6208

NOTE  
FOR COIL CONNECTIONS  
SEE C-5849, Z-1873



FOR RECONNECTION TO 125 V.  
SEE DRAWING Z-1881, C-5866



## LEGEND

AM AMMETER, BATT. CHGR.  
CH CHOKE (GASOLINE)  
MAG MAGNETO  
SC START CONTACTOR  
SM START MOTOR  
FS FUEL SOLENOID (WHEN REQ'D)  
SW1 START BUTTON (MOM)  
SW2 IGNITION ON-OFF

## SWITCH LEGEND

	SW1	
	ON	OFF
START (MOM)	X	
SW2		
	A	
	ON	OFF
IGNITION ON*	X	
IGNITION OFF		X

## WIRING DIAGRAM

SCALE	MODEL NO.
DATE 6-7-74	PART NO. IC-6
DWN S.F.	CHK'D JCG 6-

WINPOWER MFG. CO.  
NEWTON, IOWA

Z-2118

IC-6208

CHANGE	WAS ORIGINALLY	DATE	CHK'D	CHG. REQUEST	NO. REQ'D.	MICROFILM DATA
F	REVISE	12-6-74	S.F.	Z-2-74 X.O.		
E	REDRAWN	6-7-74	S.F.			
						JUN 20 1977
						JUN 27 1974

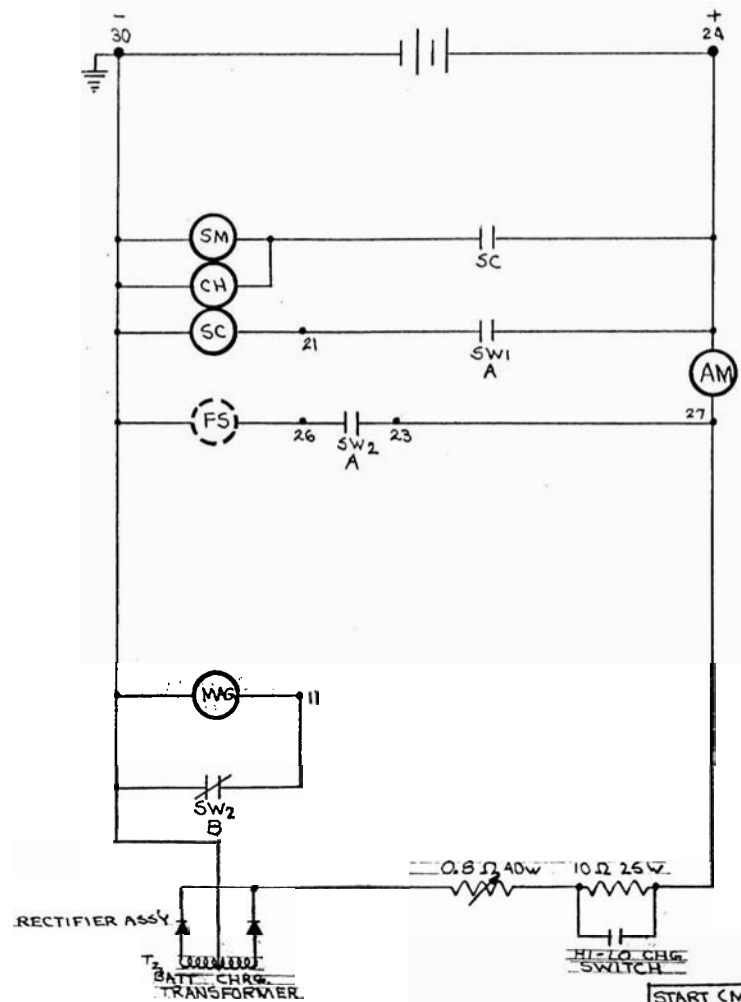
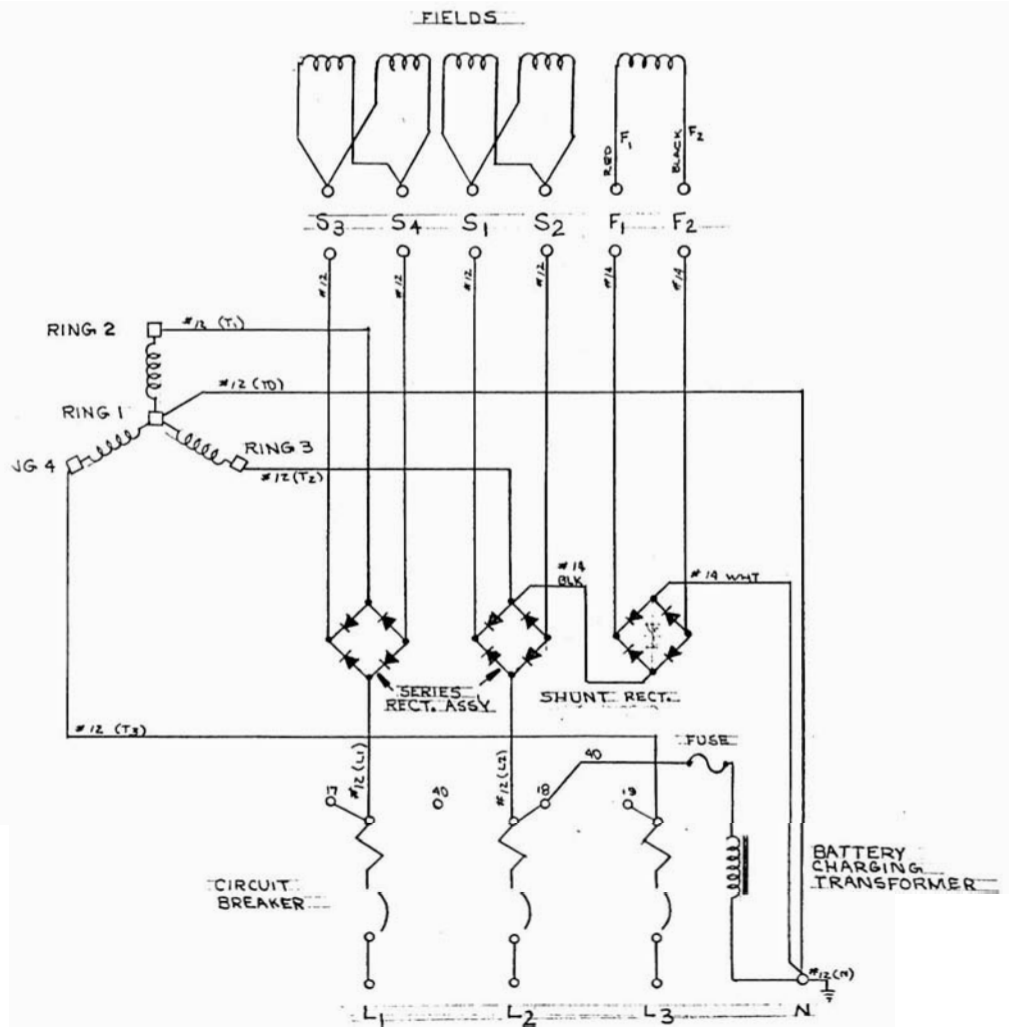
TOLERANCE ON DIMENSIONS NOT OTHERWISE SPECIFIED } DECIMAL ±  
FRACTIONAL ±  
ANGULAR ±

REMOVE ALL BURRS  
BREAK ALL SHARP  
MACHINED EDGES

MATERIAL \_\_\_\_\_

GE6WA-C

# IC 6209



- LEGEND
- AM AMMETER, BATT. CHGR.
  - CH CHOKE (GASOLINE)
  - MAG MAGNETO
  - SW2 IGNITION, ON-OFF
  - SC START CONTACTOR
  - SM START MOTOR
  - SW1 START BUTTON
  - FS FUEL SOLENOID (WHEN REQ'D)

SWITCH LEGEND

	SW1	
ON		OFF
START (MOM)	X	
	SW2	
	A	B
IGNITION 'ON'	X	
IGNITION 'OFF'		X

WIRING DIAGRAM

SCALE	MODEL NO.
DATE: 6-6-74	PART NO. IC-62
DWN: SF	CHK'D: T.C.G. 6-11

REVISE	12-5-74	SF	T.C.G. 12-7-74
REDRAWN	6-6-74	SF	
CHANGE	WAS ORIGINALLY	DATE	CHK'D
			CHG. REQUEST
			JUL 20 1977
			NO. REQ'D
			MICROFILM DATA
			JUN 27 1974
TOLERANCE ON DIMENSIONS NOT OTHERWISE SPECIFIED		DECIMAL ±	REMOVE ALL BURRS
		FRACTIONAL ±	BREAK ALL SHARP
		ANGULAR ±	MACHINED EDGES
<b>MATERIAL</b>			

Z-2119

WINPOWER MFG. CO.  
NEWTON, IOWA

IC-6209