



REPLACEMENT PARTS LIST  
PORTABLE GENERATOR  
MODEL 3W181A

FORM  
5S2234  
03653

DAYTON ELECTRIC MANUFACTURING CO. CHICAGO 60648

1280/515/15C  
2BC

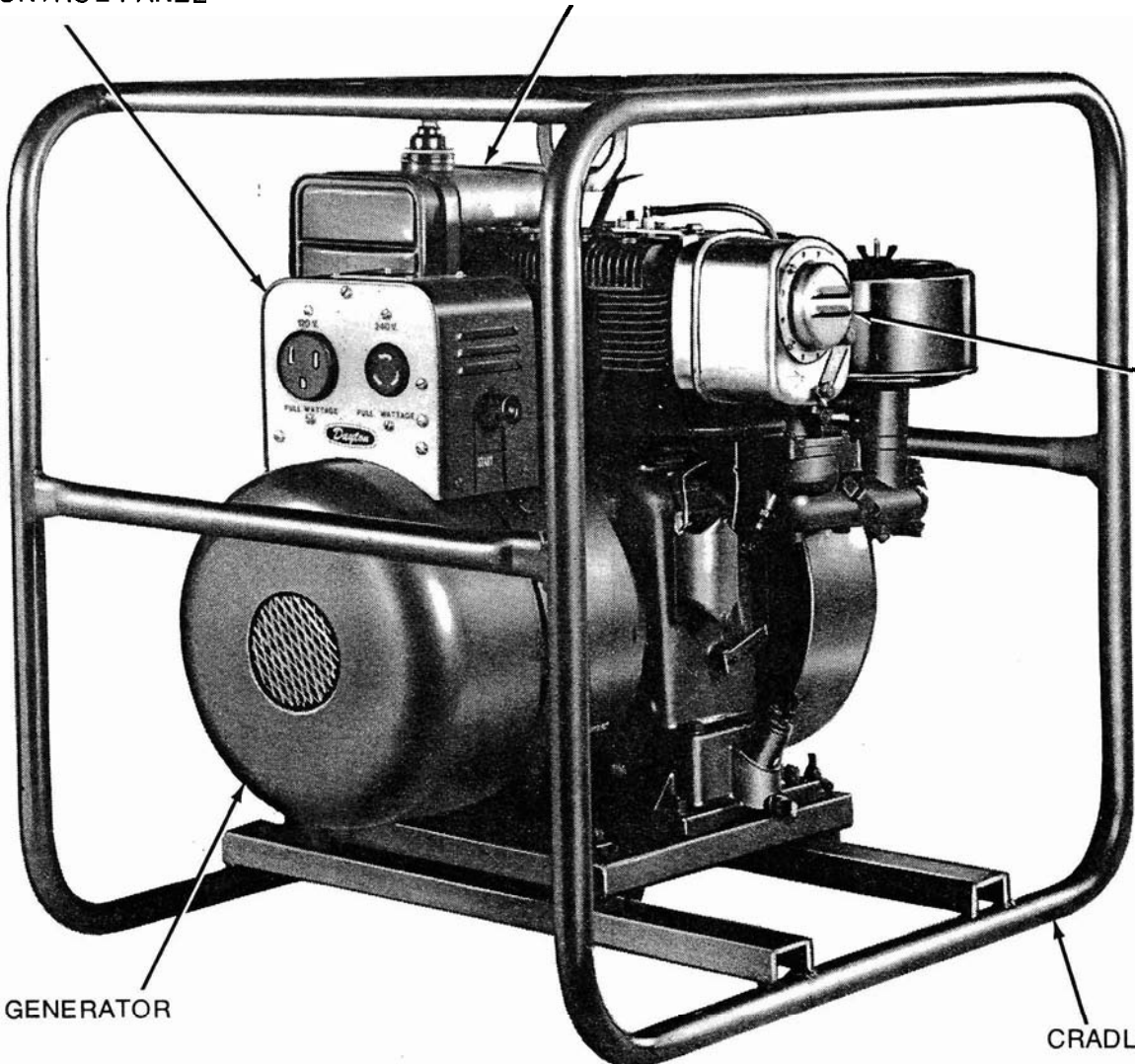
CONTROL PANEL

ENGINE

MUFFLER

GENERATOR

CRADLE



**ORDER REPLACEMENT PARTS THROUGH DEALER  
FROM WHOM PRODUCT WAS PURCHASED**

Please provide following information:

- Model Number
- Serial Number (if any)
- Part Description and Number as shown in parts list.

If dealer cannot supply,  
order from:  
Dayton Electric Mfg. Co.  
Customer Service Dept.  
5959 W. Howard St.  
Chicago, Illinois 60648

Figure 1 — Nomenclature

3W181A

**Replacement Parts List**

Ref. No.	Part No.	Description	Qty.
—	—	Hardware ▲	—
001	*	Hex Nut 5/16 - 18	9
002	480	Lockwasher 5/16 split	11
003	23604	Screw hex socket (HD)	4
004	1743	Screw	8
005	55224	Lockwasher	1
006	23558	Flat washer	6
007	23605	Hex nut	1
008	*	Bolt hex HD 5/16-18x1 1/2	1
009	47136	Hex nut	4
010	*	Bolt hex HD 5/16-18x3	4
011	4637	Screw	7
012	40746	Screw	12
100		Briggs & Stratton	
	53884	Drive 243432 0761-01	1
200	58638	Control panel	
201	58643	Cover	1
210	58641	Rear panel assembly	1
211	6892	Insulation washer	1
212	58642	Rear panel	1
215	21981	Shoulder washer	1
216	54821	Copper strap	1
217	21974	Machine screw brass	1
218	2210	Starter switch	1
219	54611	Bracket	1
240	58639	Front panel assembly	1
246	56281	Receptacle 250V 20A	1
247	54545	Receptacle 125V 50A	1
248	24749	Receptacle 135V 15A	1
249	58640	Front panel	1
270	55739-1	Saddle assembly	1
271	24087	Brace	1
400	58947	Generator	1
401	55101	Fan	1
402	23197-11	Special stud	1
411	24211-1	End bracket	1
430	58945	Armature assembly	1
431	58945-1	Armature	1
432	55223	Bearing	1
440	57915-2	Field shell & coil assembly	1
441A	59206	Field coil	1
441B	59206-1	Field coil	1
441C	59206-2	Field coil	1
441D	59206-3	Field coil	1
442	23550	Pole shoe	4

Ref. No.	Part No.	Description	Qty.
443	23552	Pole shoe retainer	4
444	58636	Field shell & bracket assembly	1
445	23451	Stud	4
446	41292	DC brush	4
447	23607	AC brush	6
460	57916	Brush rack assembly	1
461	55376	Riveter brush rack assembly	1
462	23500	AC brush holder	6
463	41221	AC capacitor	2
465	55376	Riveted brush rack assembly	1
466	41180	DC capacitor	1
243	41984	Resister	1
250	54732	Heat sink & rectifier	1
491	55007	End cover	1
600		Cradle assembly	
601	59245	Cradle	1
604	20191	Shockmount	8
605	23754	Subframe assembly	1
606	20561	Spacer	1
607	47509	Shockmount (isomode)	4

**ORDER REPLACEMENT PARTS THROUGH DEALER FROM WHOM PRODUCT WAS PURCHASED**

Please provide following information.

- Model Number
- Serial Number (if any)
- Part Description and Number as shown in Parts List.

If dealer cannot supply order from:  
 Dayton Electric Mfg. Co.  
 Customer Service Dept.  
 5959 W. Howard St.  
 Chicago, Illinois 60648

\*Standard hardware items, available locally. ▲ Not shown.

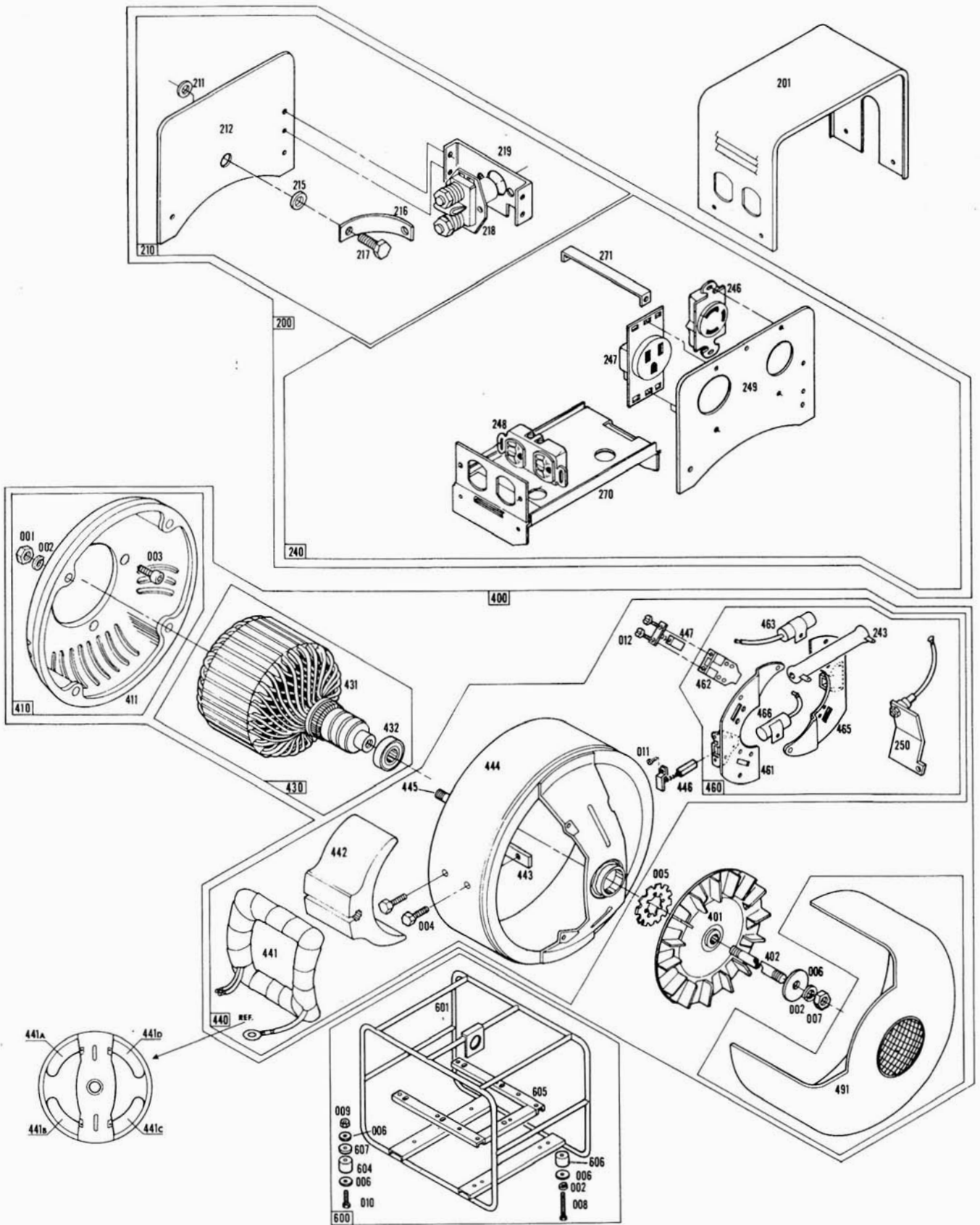


Figure 2

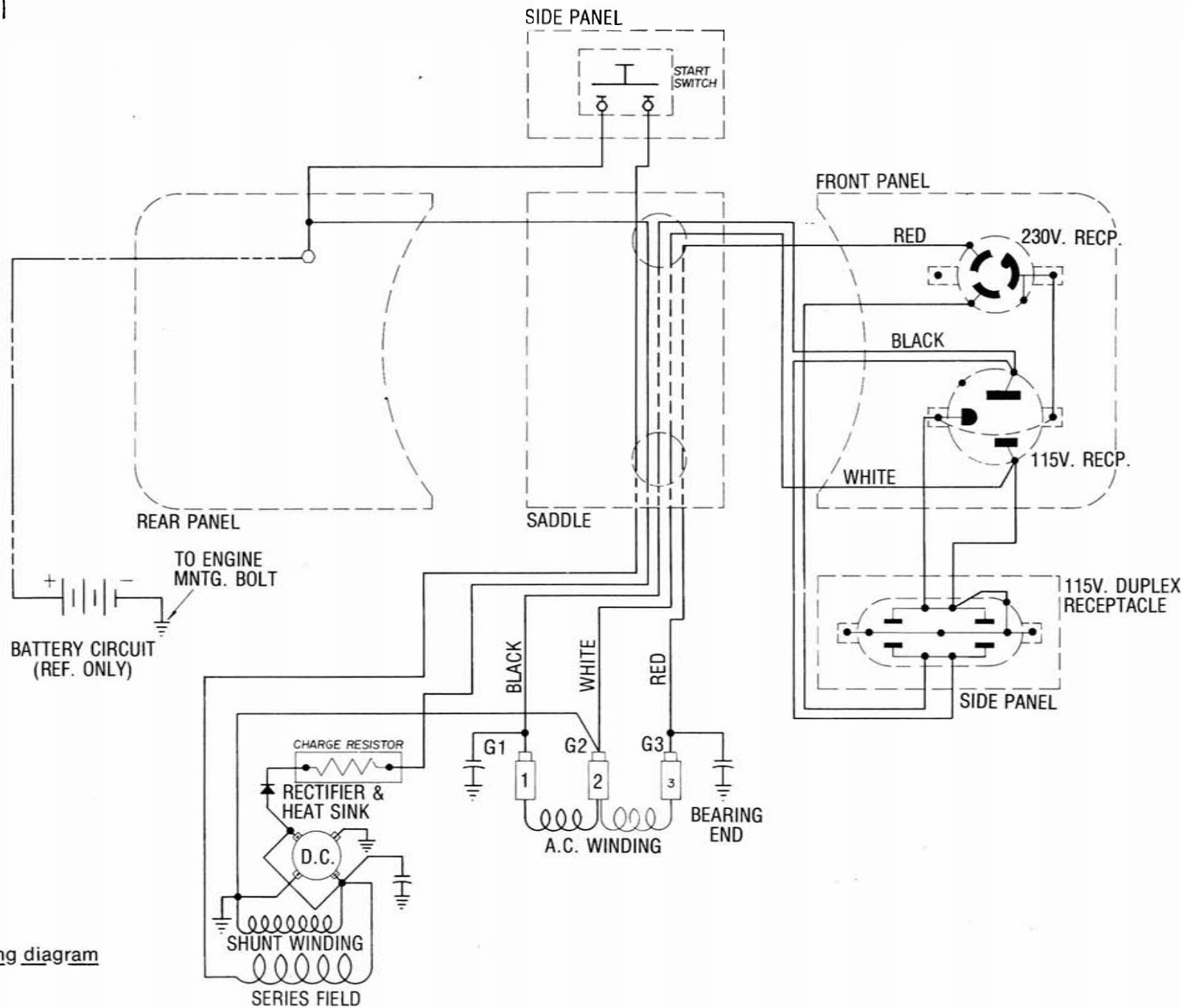


Figure 3 — Wiring diagram