

## DYNA 'Pro Series' Model -DP9500/A, DP10000/A

! REF #!	DESCRIPTION	PART #	! QTY. !
! N.I. !	! OPERATORS' MANUAL	60708-010	! 1 !
! 1 !	! HEX NUT 5/16-18	00458-000	! 4 !
! 2 !	! LOCKWASHER 5/16 SPLT	00480-000	! 5 !
! 4 !	! SHCS 7/16-14 X 3/4	62522-000	! 4 !
! 5 !	! POLE SHOE BOLTS	43781-000	! 8 !
! 6 !	! LOCKWASHER 11/16	40552-000	! 1 !
! 7 !	! FLAT WASHER	23558-000	! 1 !
! 8 !	! HEX NUT	23605-000	! 1 !
! 100 !	! ENG-TECUMSEH OH180	62298-000	! 1 !
! 101 !	! EXHAUST PIPE ASSY.	63401-000	! 1 !
! 110 !	! BATTERY CABLE ASSY.	62499-000	! 1 !
! 118 !	! MUFFLER	63127-000 <i>er70d</i>	! 1 !
			<i>- Tech. # 1A120-145</i>
! 200 !	! CONTROL BOX ASSY.	63293-000	! 1 !
! 201 !	! COVER	63286-000	! 1 !
! 212 !	! BACK PANEL	63292-000	! 1 !
! 214 !	! RESISTOR 100W 25ohm	54599-000	! 2 !
! 234 !	! D.C. RECEPTACLE	56148-000	! 2 !
! 247 !	! RECEPT NEMA 5-50R	54545-000	! 1 !
! 248 !	! RECEPT NEMA 6-50R	57325-000	! 1 !
! 255 !	! C.Bkr. 50A-2PL 240	57030-000	! 1 !
! 270 !	! SADDLE ASSY.	63288-000	! 1 !
! 288 !	! DIODE	54023-001	! 2 !
! 293 !	! RECEPT NEMA 5-20R	50766-000	! 2 !
! 323 !	! SOLENOID STARTER SW	24061-000	! 1 !
! 345 !	! ROCKER SWITCH SPDT	62393-000	! 1 !
! 401 !	! FAN ASSY.	23404-000	! 1 !
! 402 !	! THRU BOLT	23197-017	! 1 !
! 411 !	! END BRACKET	55493-000	! 1 !
! 429 !	! FRONT PANEL	63291-000	! 1 !
! 431 !	! ARM & WINDING ASSY.	63282-001	! 1 !
! 432 !	! BEARING 6303-2RS	50215-000	! 1 !
! 440 !	! FLD SHL & COIL ASSY	61030-001	! 1 !
! 441A !	! FIELD COIL ASSY.	55359-000	! 1 !
! 441B !	! FIELD COIL ASSY.	55359-001	! 1 !
! 442 !	! POLE SHOE ASSY.	43473-000	! 2 !
! 443 !	! POLE SHOE RETAINER	43474-000	! 2 !
! 444 !	! FIELD SHELL	59329-000	! 1 !
! 445 !	! STUD - 5/16	51434-000	! 4 !
! 446 !	! BRUSH ASSY.	47683-000	! 2 !

## DYNA 'Pro Series' Model -DP9500/A, DP10000/A

REF #	DESCRIPTION	PART #	QTY.
447	BRUSH ASSY.	55536-000	9
460	BRUSH RACK	62648-000	1
460	BRUSH RACK	62648-001	1
461	RIVITED BRUSH RACK	47684-000	1
462	A.C. BRUSH HOLDER	59690-400	9
463	CAPACITIOR	41221-000	3
465	RIVITED BRUSH RACK	59847-000	1
466	CAPACITIOR	41180-000	1
491	END COVER ASSY.	55007-000	1
601	WELDED CRADLE ASSY.	51817-001	1
605	WELDED SUBFRAME ASY	57677-000	1
611	RUBBER SHOCK MOUNTS	23623-000	4

N.I. - NOT ILLUSTRATED

\* NOTE - MODIFICATION OF LEFT DUPLEX RECEPTACLE -  
TAB MUST BE BROKEN OUT ON  
HOT (BRASS) SIDE OF RECEPTACLE

FOR REF. ILLUSTRATION - SEE PARTS LIST # 60701-021  
(705BH-FE/A - CHECK INDEX FOR LOCATION )

RESID. VOLTS-	7.0VAC	UNIT #-	63280-001
12 VDC EXCIT.-	200VAC	WIRING -	63290-000
TYPICAL EXC. -	60VDC		

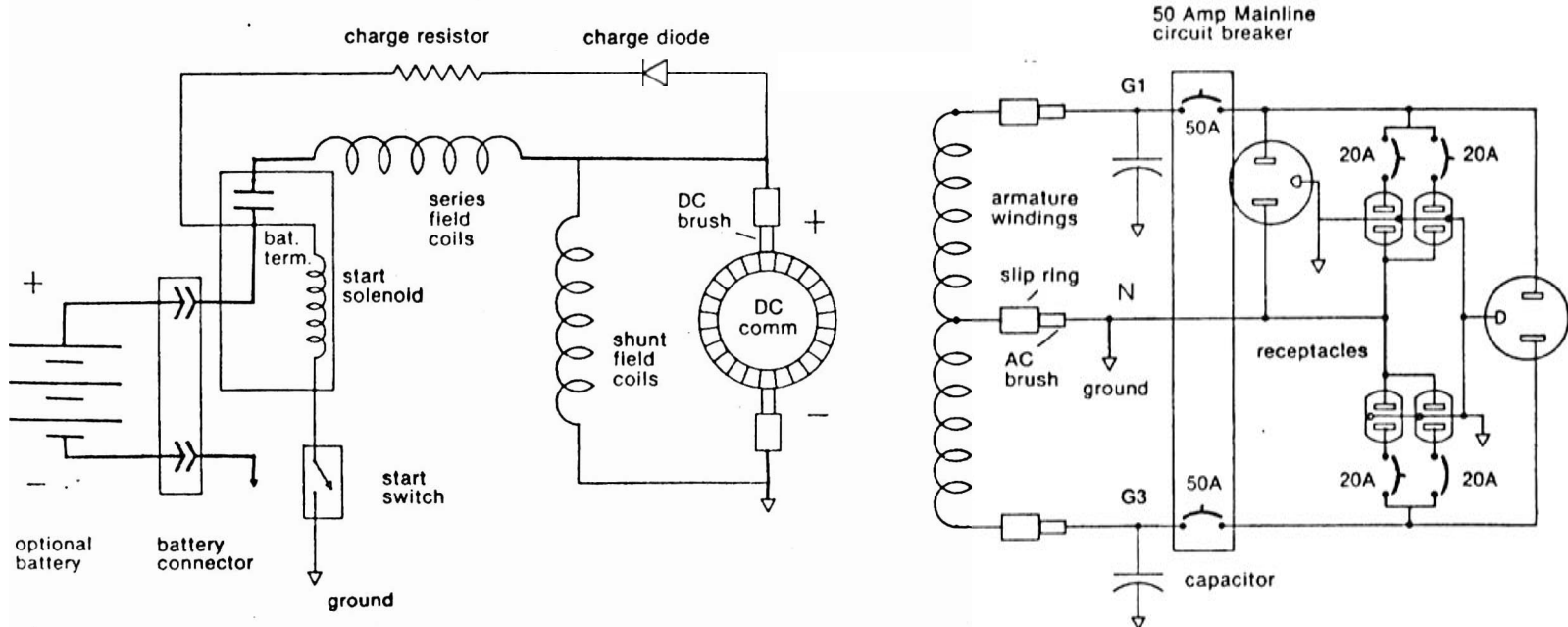
ARMATURE-	0.042 Ohms	SS SPEC-	1502
FIELD-	7.00 Ohms	AC SPEC-	235

battery and charge circuit

excitation circuit

power circuit

output



**SCHEMATIC WIRING DIAGRAM**

63290