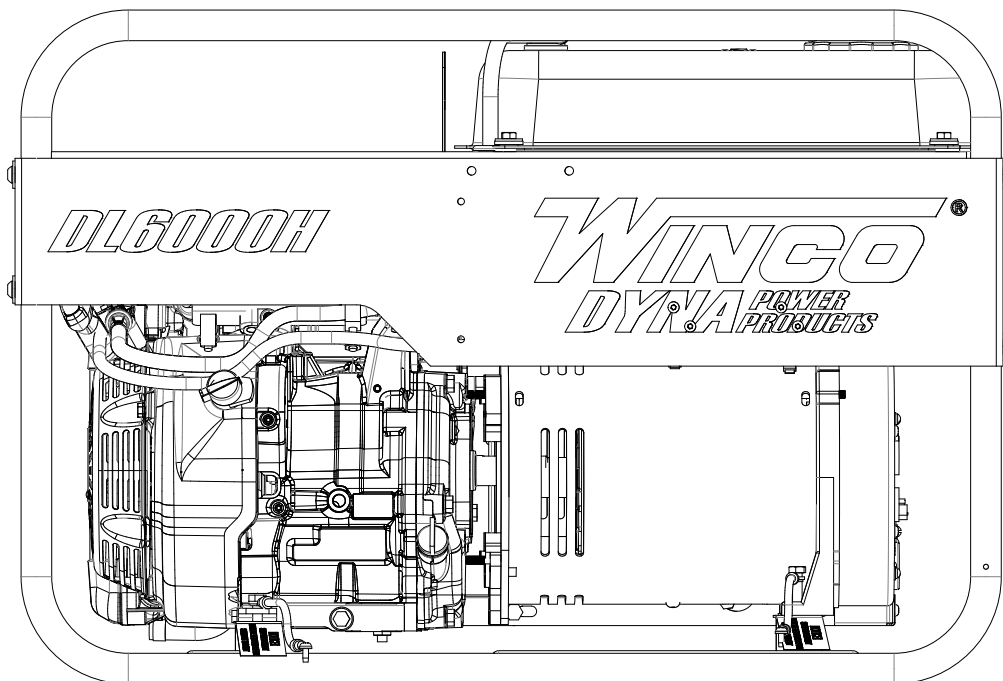


WINCO[®] INC

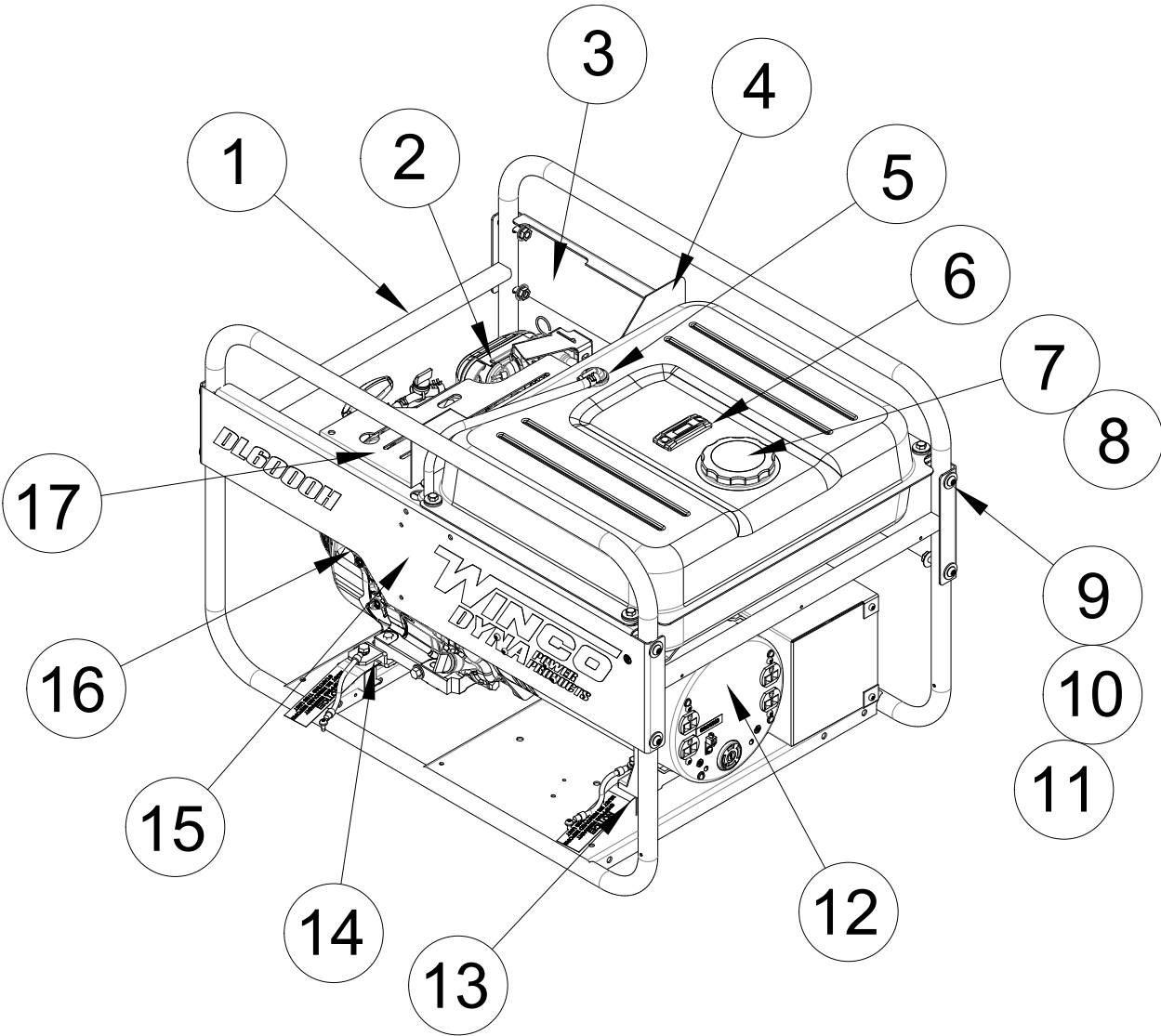
ILLUSTRATED PARTS LIST

DL6000H/F



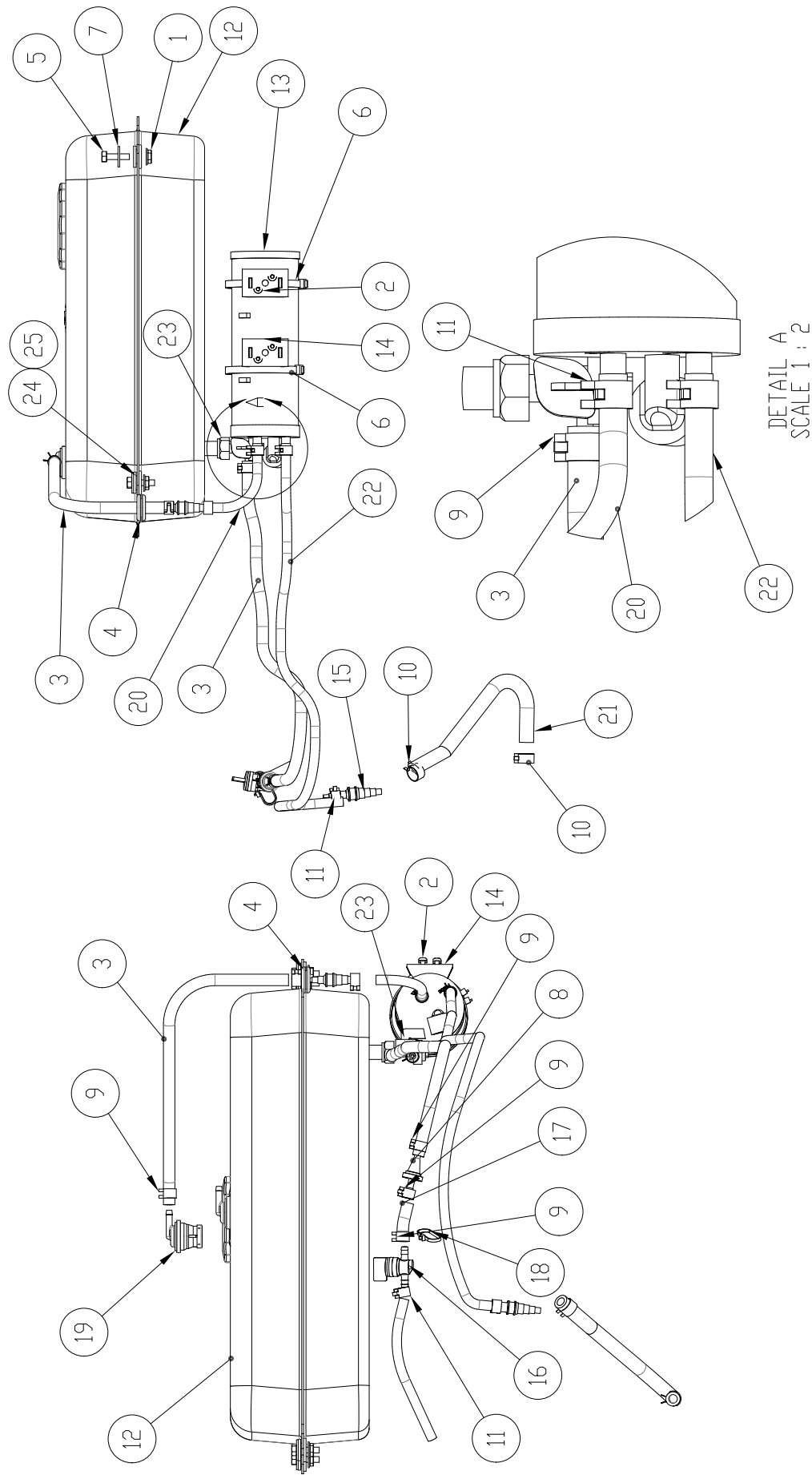
**WINCO INC.
225 S. CORDOVA AVE.
LE CENTER, MN 56057
(507) 357-6821
SERVICE DEPT.
(507) 357-6831
wincogen.com**

ENGINE / GENERATOR ASSEMBLY



REF #	PART NUMBER	QTY	DESCRIPTION
1	63073-048	1	Cradle
2	15467-001	1	Engine, Honda GX340RT2VWC NH1 Code: GCBET
3	300217-3SDL6HF	1	Right Side Rail
4	15462-046	1	Fuel Tank Tray
5	80903-002	1	Slosh Valve
6	64024-402	1	Fuel Level Gauge
7	64024-401	1	Sealed Fuel Cap
8	64024-403	1	Fuel Filter under Cap
9	16249-000	8	5/16" - 18 Flange Nut
10	526-000	8	Washer
11	64858-004	8	5/16" - 18 X 1 3/4" Screw
12	15041-006	Reference	Generator Assembly
13	64062-000	4	Shock Mount
14	15929-004	1	Engine Shock Mount Adapter
15	300216-3SDL6HF	1	Left Side Rail
16	15280-000	1	Engine Stop Switch
17	15679-008	1	Governor Cover
NI	17211-899-000	1**	Air Filter
NI	BPR6ES	1*	NGK Spark Plug
*	NGK Part #		
**	Honda Part #		
NI	Not Illustrated		

FUEL SYSTEM ASSEMBLY

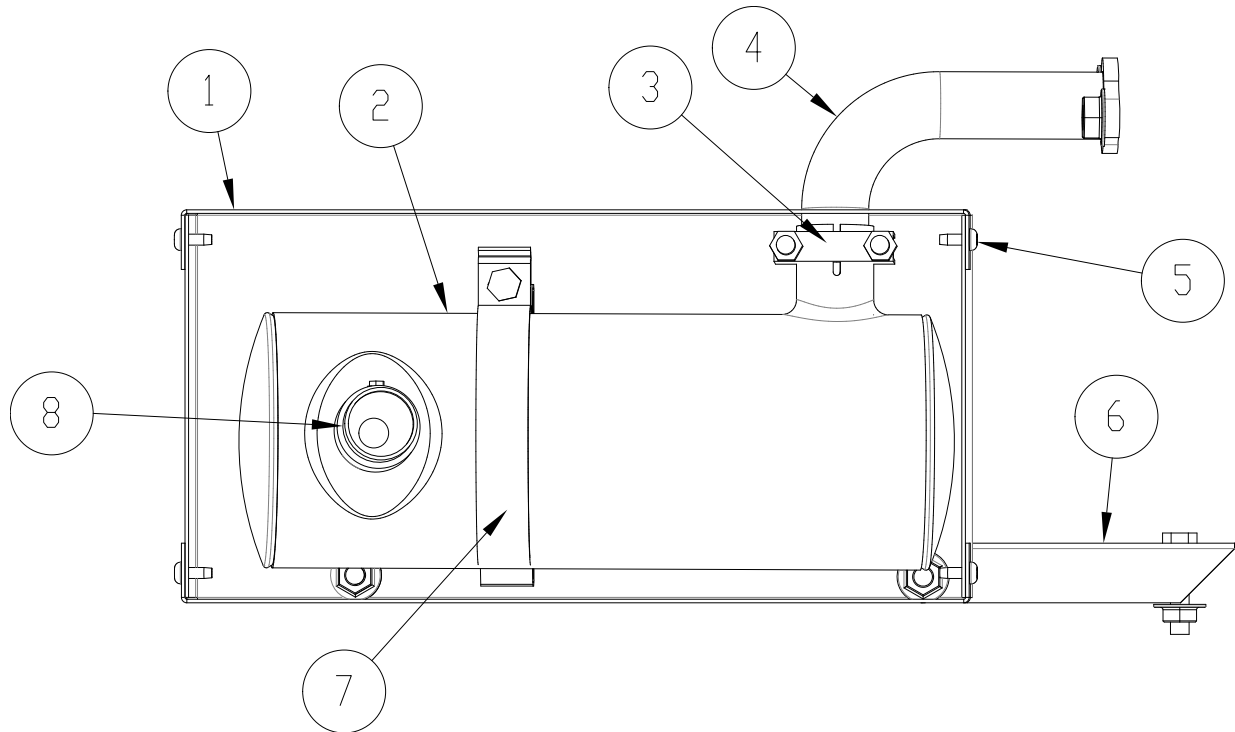


REF #	PART NUMBER	QTY	DESCRIPTION
1	16428-000	4	1/4" - 20 Flange Nut
2	21698-001	4	Torx Screw
3	40078-000	13"	1/4" Fuel Hose
4	40730-000	1	Grommet
5	439-000	4	1/4" - 20 X 1" Bolt
6	49975-013	2	14" Cable Tie
7	526-000	4	Washer
8	62496-005	1	40-70 Micron Fuel Filter
9	62999-001	6	.5 OD Red Hose Clamp
10	62999-004	2	.69 OD Black Hose Clamp
11	62999-005	5	.41 OD Green Hose Clamp
12	64024-013	1	7 Gallon Metal Fuel Tank
13	80902-000	1	Carbon Canister
14	81902-000	2	Mounting Bracket
15	98590-003	2	Hose Reducer
16	98771-005	1	Fuel Valve
17	40078-000	2"	1/4" Fuel Hose
18	49975-011	1	7" Cable Tie
19	80903-002	1	Slosh Valve
20	40077-000	3"	3/16" Fuel Hose
21	55505-000	7 3/4"	3/8" Fuel Hose
22	40077-000	34"	3/16" Fuel Hose
23	64024-404	1	Tank Shut-off Valve
24	64024-405	4	Anti-Crash Insert
25	64024-406	4	Rubber Bushing

EXHAUST ASSEMBLY

REV A & B PRIOR TO 5-2017

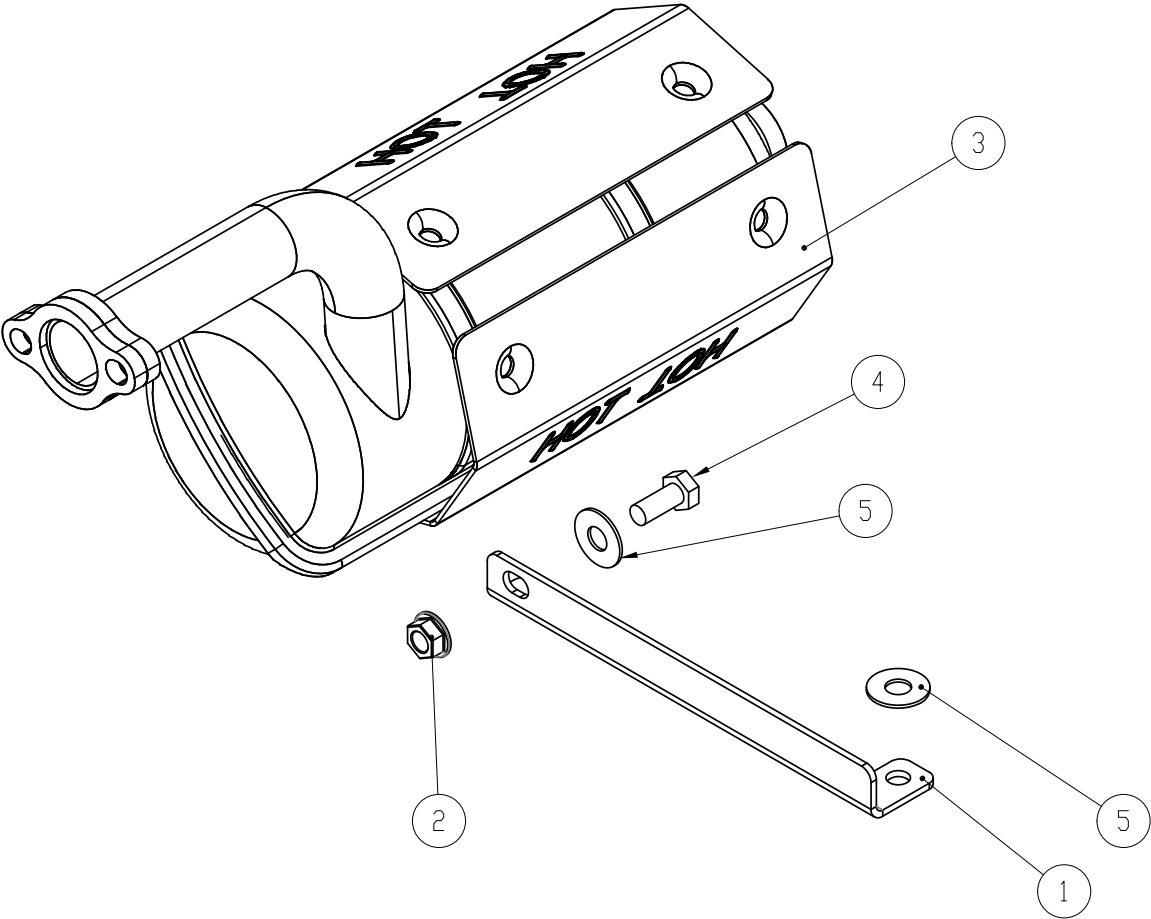
EXHAUST ASSEMBLY ON PAGE 7 CAN REPLACE THIS ASSEMBLY.



REF #	PART NUMBER	QTY	DESCRIPTION
1	15687-013	1	Heat Shield
2	350590-11	1	Muffler
3	93489-018	1	Muffler Clamp
4	16479-004	1	Exhaust Manifold
5	21698-001	4	Torx Screw
6	15687-030	1	Heat Shield Mounting Bracket
7	93484-012	1	Muffler Mounting Bracket
8	15769-002	1	Spark Arrestor

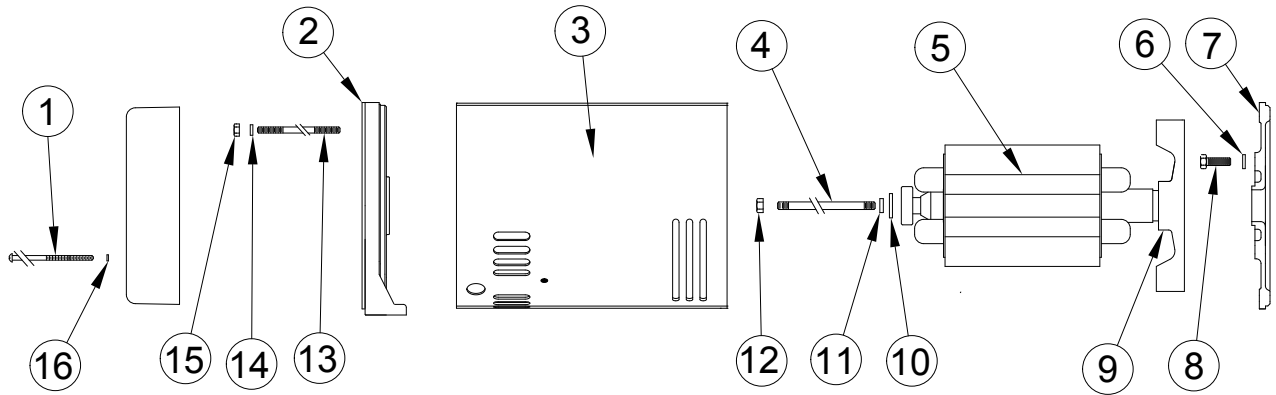
EXHAUST ASSEMBLY

REV C AFTER 5-2017



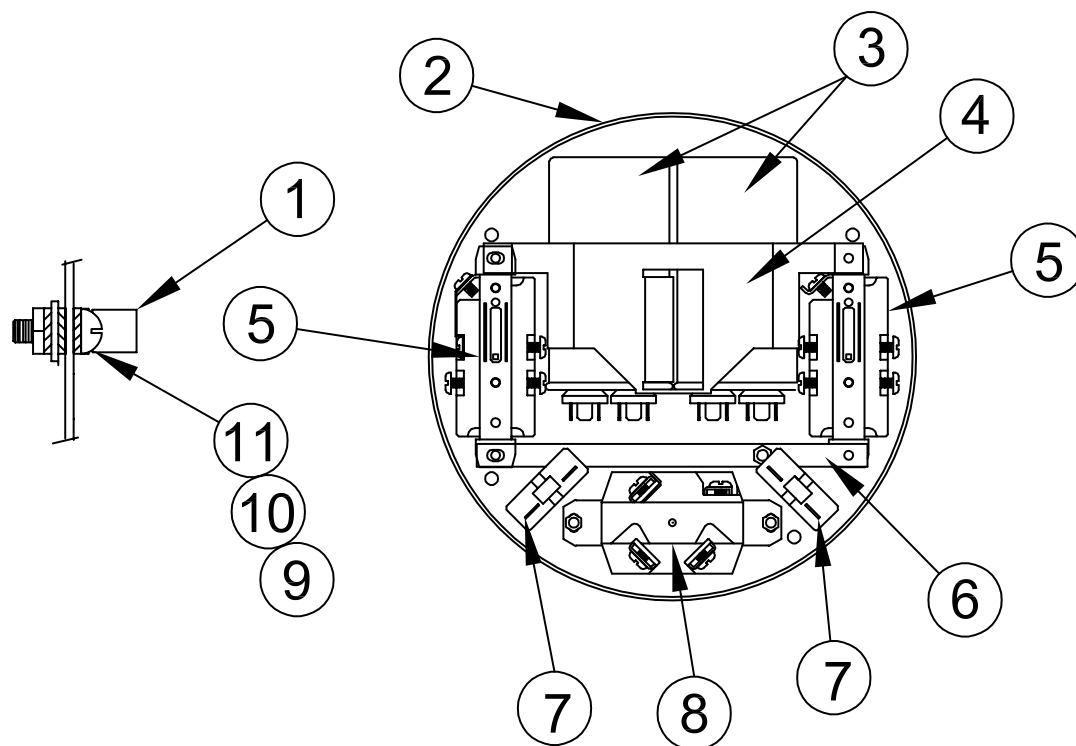
REF #	PART NUMBER	QTY	DESCRIPTION
1	15792-001	1	Muffler Support Bracket
2	16249-000	1	5/16" Flange Nut
3	350590-18	1	Muffler W/Heat Shield
4	467-000	1	5/16"-18 X 3/4" Bolt
5	526-000	2	5/16" Flat Washer

GENERATOR ASSEMBLY



REF #	PART NUMBER	QTY	DESCRIPTION
1	15013-000	4	Screw
2	15156--002	1	Bearing Bracket
3	15042-005	1	Stator Assembly
4	23197-009	1	Stud Bolt 5/16" - 24
5	15045-007	1	Rotor Assembly
6	481-000	4	Lock Washer
7	15008-001	1	Engine Bracket
8	91658-003	4	Bolt
9	15136-002	1*	Fan
10	23558-000	1	Washer
11	480-001	1	Lock Washer
12	15193-000	1	5/16" - 24 Nut
13	15068-008	4	Stud Bolt 5/16" - 20
14	479-000	4	Lock Washer
15	15192-00	4	1/4" - 20 Nut
16	21975-000	4	Lock Washer
NI	15047-001	1*	Standard Polarity Diode
NI	15047-002	1*	Reverse Polarity Diode
NI	50215-000	1*	Bearing
*	Part of Rotor Assembly		

END COVER ASSEMBLY



REF #	PART NUMBER	QTY	DESCRIPTION
1	48042-001	1	Ground Lug
2	15050-002	1	End Cover
3	15051-000	2	Capacitor, 40mfd, 370VAC
4	15088-000	1	Capacitor Strap
5	50766-000	2	20A 120V Receptacle
6	64045-029	1	Mounting Strap
7	91286-006	2	25A Circuit Breaker
8	97360-000	1	30A 120/240V Receptacle
9	419-000	1	#10-24 X 1/2" Screw
10	21975-000	3	#10 Lock Washer
11	456-000	1	#10-24 Nut
NI	15750-000	1	Decal, Ground
NI	41387-009	1	Ground Strap
NI	Not Illustrated		

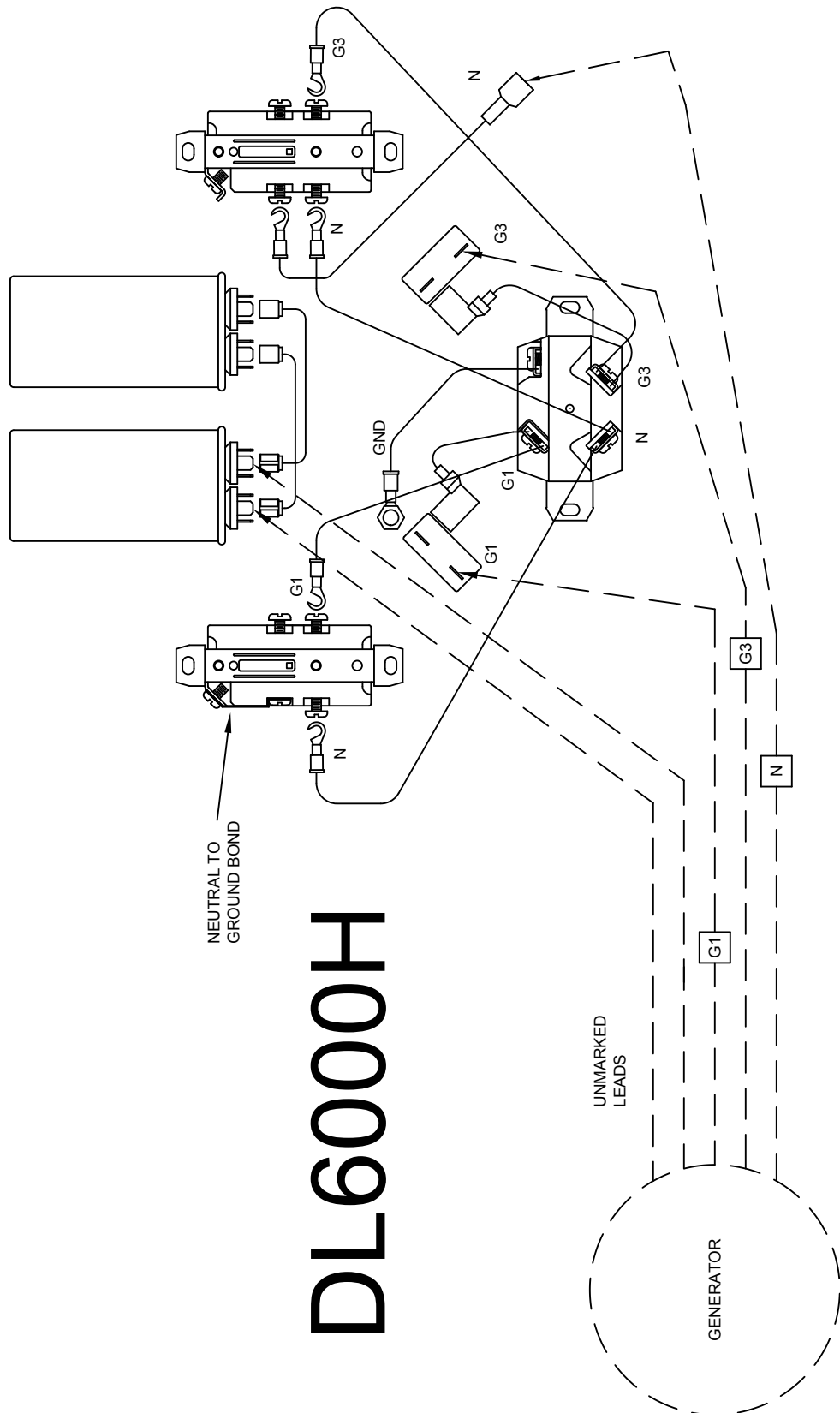
DECALS

REF #	PART NUMBER	QTY	DESCRIPTION
1	15209-000	1	Decal Set
2	15209-001	1*	Gasoline Decal
3	15209-002	1*	Danger CO2 Decal
4	15209-003	1*	Electrical Shock Decal
5	64918-000	2	Danger Use Outside Decal
6	63941-001	2	Hot Surface Decal
7	15209-013	1	Fuel Type Decal
8	15209-014	1	Check Oil Decal
9	63966-004	1	Winco Nameplate
*	Part of 15209-000		

WINDING SPECIFICATIONS

Rotor Resistance	0.95 to 1.05 Ohms
G1 to N Resistance	0.21 to 0.23 Ohms
G3 to N Resistance	0.22 to 0.25 Ohms
Capacitor Leads Resistance	0.53 to 0.58 Ohms
AC Residual Voltage	7VAC G1 to N
Winding Spec	SS1532

WIRING DIAGRAM



WIRING SCHEMATIC

