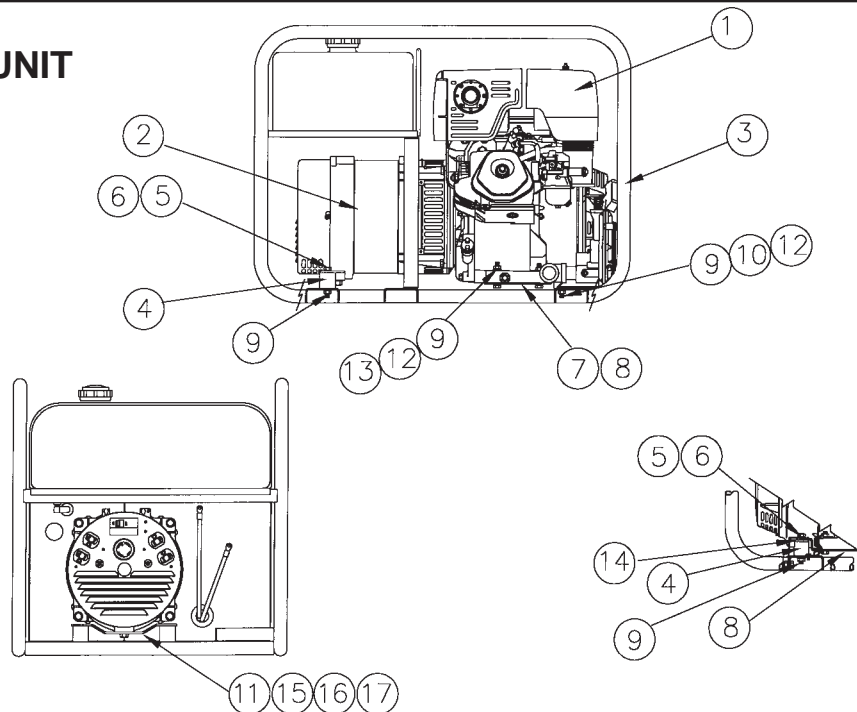


HOME POWER®

ILLUSTRATED PARTS LISTS

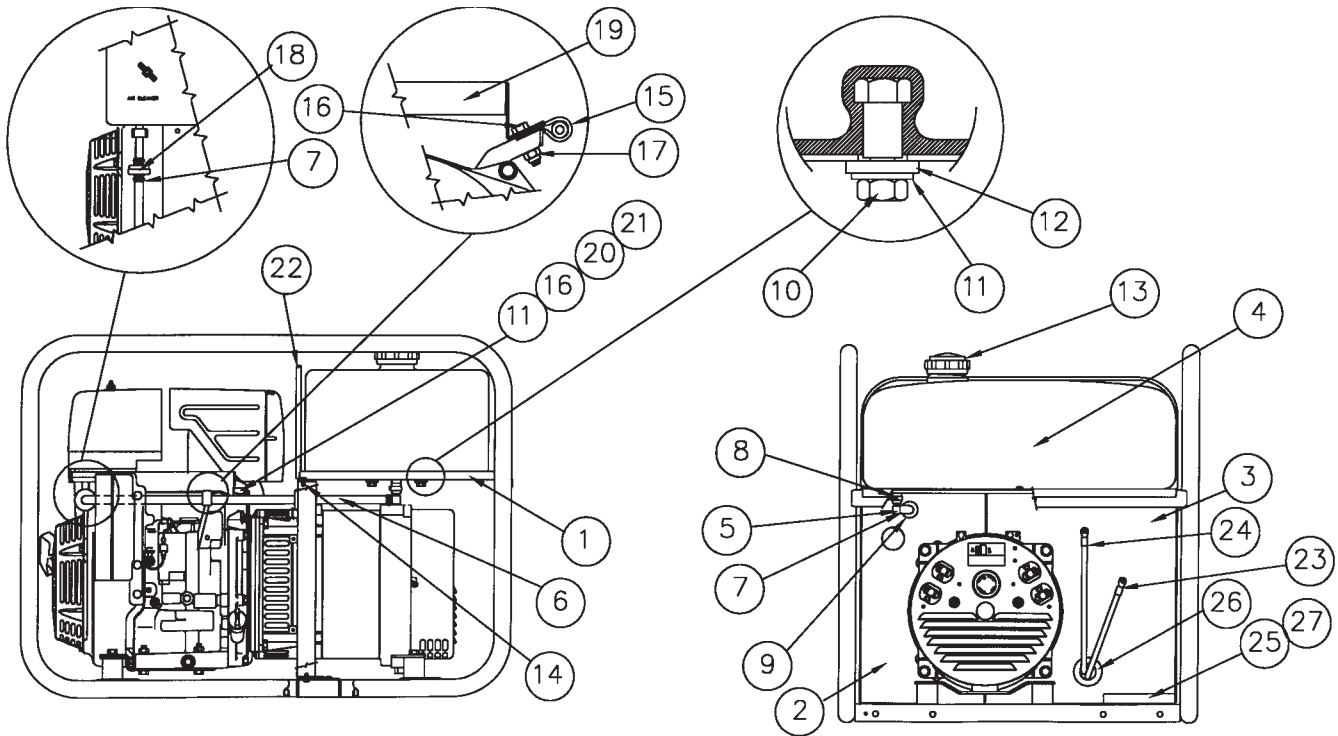
HPS6000HE/E

COMPLETE UNIT



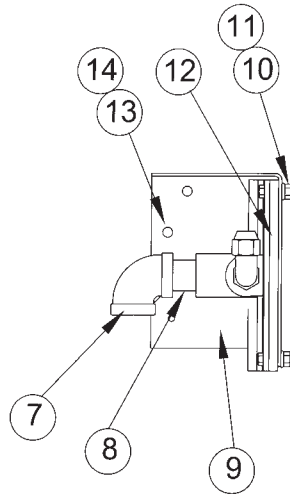
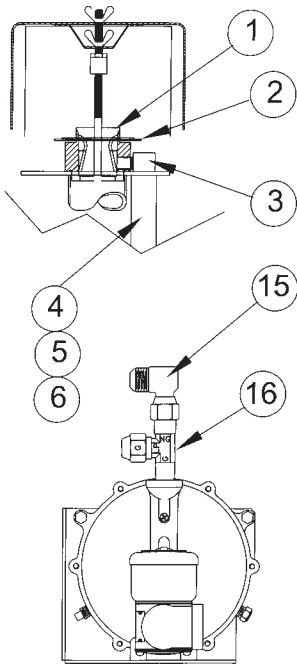
REF #	Part Number	QTY	Description
1	15428-000	REF	Honda Engine GX340K1VWE2- 578700
2	16346-001	REF	Generator Assy
3	63073-011	1	Cradle
4	64062-000	4	Shockmounts
5	467-000	4	5/16 – 18 X ¾ Hex Hd Bolt
6	480-000	4	5/16 Split Lockwasher
7	15929-001	1	Right Side Adapter Bracket
8	15929-002	1	Left Side Adapter Bracket
9	16249-000	8	5/16 Flange Nut
10	9416-000	2	5/16 – 18 X 1.75 Hex Hd Bolt
11	16335-000	1	Support Generator
12	526-000	5	Flat Washer
13	468-000	2	5/16 – 18 X 1.5 Hex Hd Bolt
14	23760-002	2	1.25 OD X .344 ID Flat Washer
15	91658-001	5	HHCS 3/8 – 16 X 1
16	481-000	5	3/8 Lockwasher
17	92914-000	1	3/8 – 16 Hex Nut

FUEL TANK & SHEET METAL



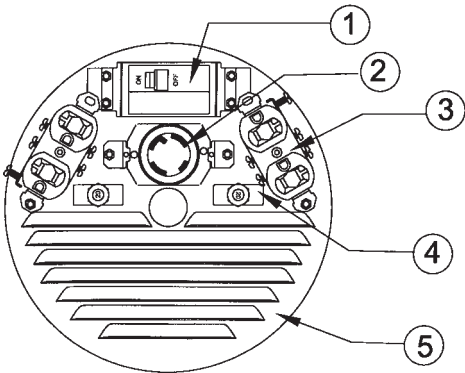
REF #	Part Number	QTY	Description
1	15642-022	1	Fuel Tank Tray
2	15223-018	1	Left Support Panel
3	15222-022	1	Right Support Panel
4	64024-000	1	4.5 Gal. Fuel Tank
5	56879-000	1	90 Deg. Elbow
6	40078-019	21"	Fuel Hose
7	62999-001	2	Hose Clamp
8	81018-009	1	Hose Clamp
9	23917-000	1	Grommet
10	466-000	2	¼ - 20 X .75 Hex Hd Bolt
11	512-000	3	¼ Flat Washer
12	16133-000	2	Thick Leather Washer
13	15482-000	1	Fuel Tank Cap
14	21698-001	11	#10 X 3/8 Self Tapping Screw
15	97391-002	2	Cushion Clamp
16	95281-000	3	¼ - 20 X 1.25 Hex Hd Bolt
17	16248-000	2	¼ - 20 Flange Nut
18	62495-000	1	Fuel Filter
19	15679-002	1	Engine Governor Cover Plate
20	92495-000	1	¼ - 20 Nut Retainer
21	479-000	1	¼ - 20 Lockwasher
22	58684-007	30"	Edge Trim
23	15767-006	1	Positive Battery Cable
24	15767-007	1	Negative Battery Cable
25	15676-001	1	Battery Tray
26	62486-000	1	Grommet
27	15807-000	1	Battery Hold Down Kit

VAPOR FUEL SYSTEM



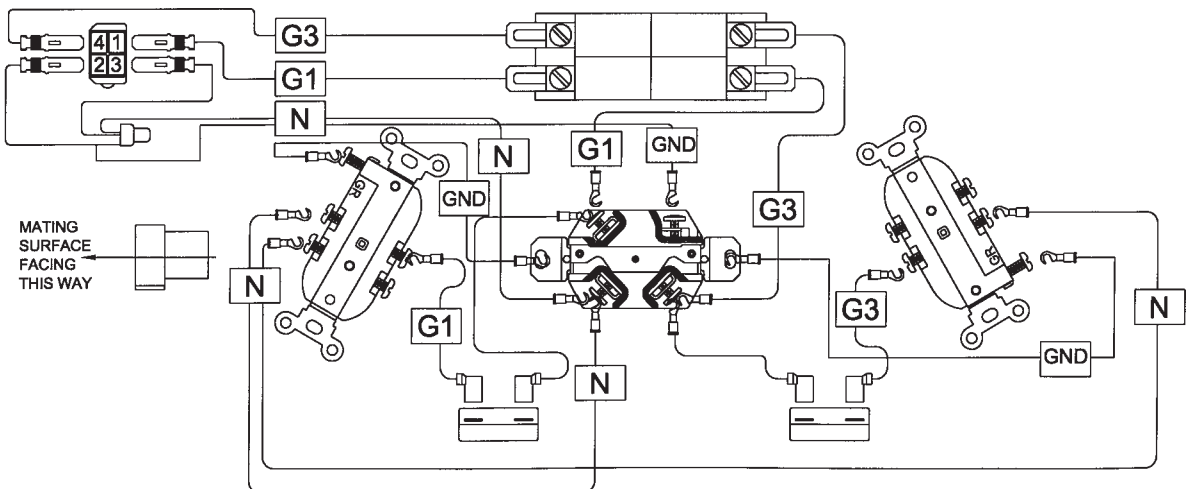
REF #	Part Number	QTY	Description
1	63581-001	1	LP/NG Adapter Kit
2	91345-001	1	Retainer
3	92382-003	1	90 Deg. Elbow 1/4" NPT X 1/2" ID Hose
4	23048-000	1 FT	Hose
5	81018-008	2	Hose Clamp
6	350892-3	1	45° Flare Hose Fitting
7	50244-000	1	90 Deg. Elbow 3/4" NPT
8	22626-000	1	Pipe Nipple 3/4" NPT X Close
9	16336-000	1	Mounting Bracket
10	439-000	2	HHCS 1/4 X 20 X 1"
11	16248-000	2	1/4 - 20 Flange Nut
12	55559-002	1	Demand Regulator
13	477-000	2	HHCS 5/16 X 18 X 5/8"
14	16249-000	2	5/16 - 18 Flange Nut
15	99968-000	1	45° Flare Fitting 90° Elbow
16	99874-001	1	Tee Fitting

END COVER & RECEPTACLES

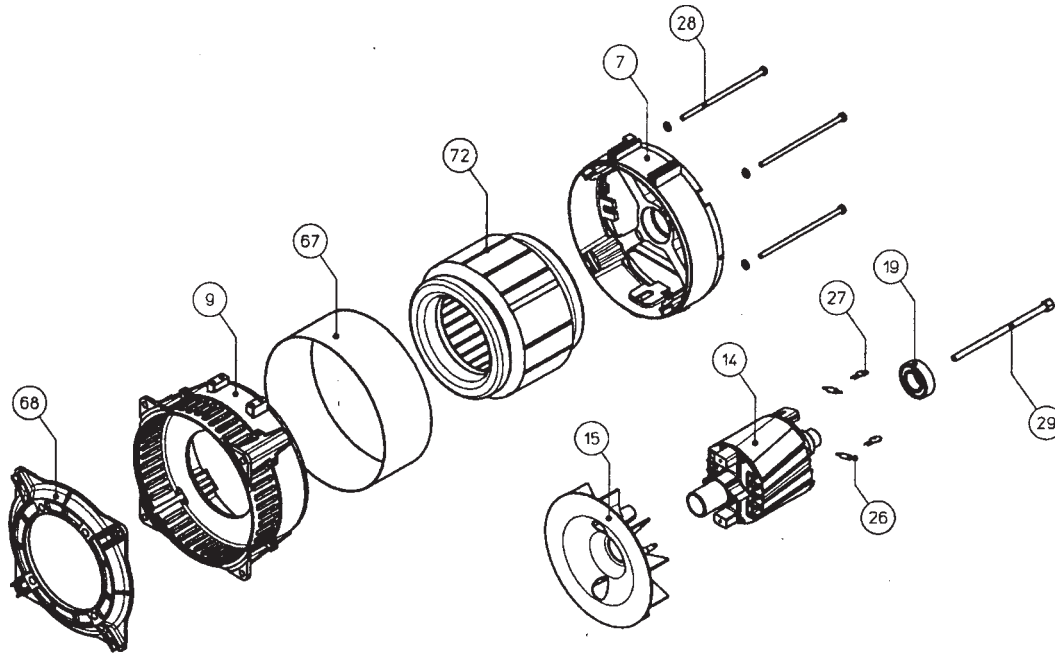


REF#	Part Number	QTY	Description
1	57030-009	1	Circuit Breaker 25A/240V
2	97360-000	1	Receptacle Nema L14-30P
3	50766-000	2	Duplex Receptacle Nema 5-20P
4	91286-001	2	Circuit Breaker 20A/120V
5	16346-013	1	End Cover

WIRING DIAGRAM



GENERATOR ASSEMBLY



REF #	Part Number	QTY	Description
7	16346-101	1	Bearing End Bracket
9	16346-102	1	Drive End Bracket
14	16346-103	1	Rotor Assembly
15	16346-104	1	Fan
19	54665-000	1	Bearing
26	16346-105	2	Diode
27	16346-106	2	Varistor
28	16346-107	4	Stator Bolts
29	16346-108	1	Rotor Bolt
67	16346-109	1	Stator Cover Band
68	16346-110	1	Engine Mounting Bracket
72	16346-111	1	Stator Assembly

WINGO INC
A Division of DTP Dyna Technology Inc
 225 South Cordova Avenue
 Le Center MN 56057
 507-357-6831