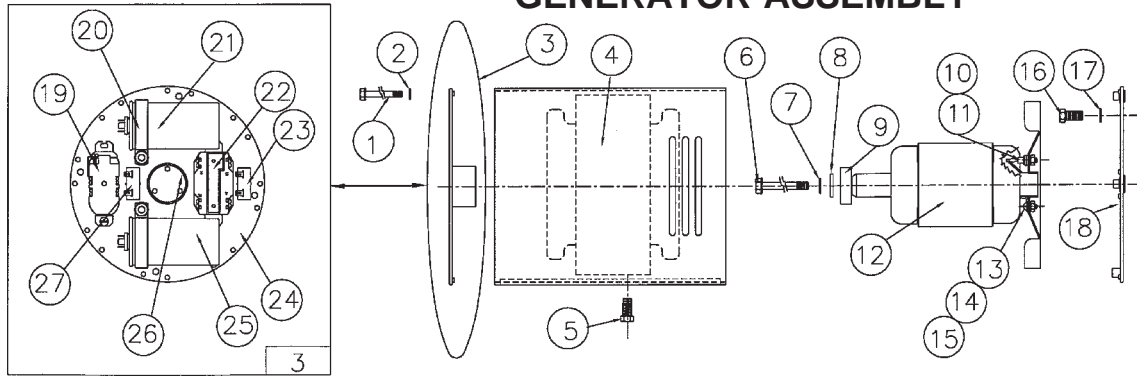


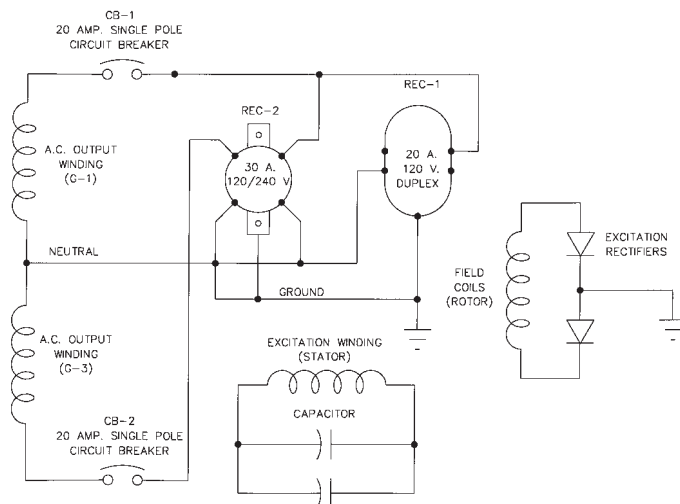
MODELS: DL6000/B, DL6000E/B, DL6000H/A, DL6000HE/A

GENERATOR ASSEMBLY



REF	DESCRIPTION	QTY	PART NBR	REF	DESCRIPTION	QTY	PART NBR
01	1/4 - 20 Cap Screw	4	15530-004	15	#10 Nut	1	N/A
02	1/4 Lockwasher	4	479-000	16	Cap Screw	4	464-000
03	Bearing End Bracket Assembly	Ref	16183-000	17	Lockwasher	4	481-000
04	Stator Assembly Complete	1	15359-438	18	Engine End Bracket	1	15367-001
05	5/16-18 X 3/4 Self Tapping Screw	1	Not Used	19	120 Volt Receptacle (5-15R)	1	24749-000
06	5/16-24 Thru-Bolt	1	15529-002	20	Capacitor Strap	2	15374-002
07	5/16 Lockwasher	1	480-000	21	Capacitor	1	15051-000
08	5/16 Flat Washer	1	23558-000	22	120/240 Volt Recept. (L14-30R)	1	97360-000
09	Bearing	1	55223-000	23	Circuit Breaker	1	91286-006
10	Diode (Std)	1	15047-001	24	End Bracket (Bare)	1	15391-022
11	Diode (Rev)	1	15047-002	25	Capacitor	1	15051-000
12	Rotor Assembly	1	15359-424	26	Tolerance Ring	1	15122-000
13	#10-32 X 3/8 Screw	1	N/A	27	Circuit Breaker	1	91286-006
14	#10 Lockwasher	1	N/A				

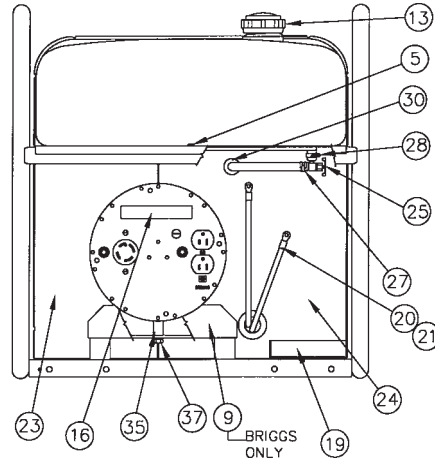
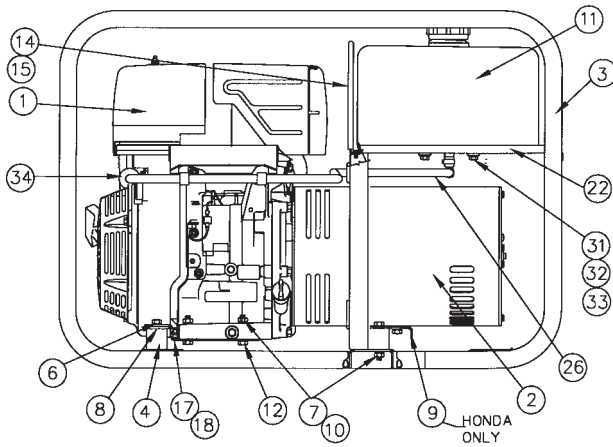
WIRING DIAGRAM



GENERATOR SPECIFICATIONS

Rotor Resistance	0.95-1.05 Ohms
G1 to N Resistance	0.21-0.23 Ohms
G3 to N Resistance	0.21-0.23 Ohms
Cap Leads Resistance	0.53-0.58 Ohms
AC Residual Voltage	7VAC G1 to N
Winding Spec.	SS1543
AC Connection	AC367

COMPLETE UNIT ASSEMBLY



REF	DESCRIPTION	QTY	DL6000/B	DL6000E/B	DL6000H/A	DL6000HE/A
1	Engine	1	15631-003	15632-003	15467-000	15428-000
	Model		250412	250417	GX340	GX340
	Type & Code		1118-E1	1117-E1	K1VW12	K1VWE2
2	Generator Assembly	REF	15359-031	15359-031	15359-031	15359-031
3	Cradle Assembly	1	63073-007	63073-007	63073-012	63373-012
4	Shock Mounts	4	64062-000	64062-000	64062-000	64062-000
5	#10 X 3/8 Self Tapping Screw	14	21698-001	21698-001	21698-001	21698-001
6	5/16 X-18 Hex Head Bolt	2	9416-000	9416-000	477-000	477-000
7	5/16 Split Lockwasher	9	480-000	480-000	480-000	480-000
8	1.50 X .344 Flat Washer	4	23760-000	23760-000	N/A	N/A
9	Generator Support Bracket	1	15545-004	15545-004	15545-006	15545-006
10	5/16 Hex Nut	4	458-000	458-000	458-000	458-000
11	Fuel Tank 4.5 Gal	1	64024-000	64024-000	64024-000	64024-000
12	5/16 - 18 x1.75 Hex Head Bolt	4	N/A	N/A	9416-000	9416-000
13	Fuel Cap	1	15482-000	15482-000	15482-000	15482-000
14	Dyna Decal	1	15370-000	15370-000	15370-000	15370-000
15	Model Decal	1	15370-008	15370-008	15370-008	15370-008
16	Safety Decal	1	15209-000	15209-000	15209-000	15209-000
17	Left Side Adapter Bracket	1	N/A	N/A	15929-002	15929-002
18	Right Side Adapter Bracket	1	N/A	N/A	15929-001	15929-001
19	Battery Rack	1	N/A	15676-001	N/A	15676-001
20	Positive Battery Cable	1	N/A	15767-016	N/A	15767-006
21	Negative Battery Cable	1	N/A	15767-009	N/A	15767-007
22	Fuel Tank Tray	1	15462-012	15462-012	15462-012	15462-012
23	Left Support Panel	1	15223-009	15223-009	15223-014	15223-014
24	Right Support Panel	1	15222-015	15222-015	15222-016	15222-016
25	Shut Off Valve/Elbow	1	98771-000	98771-000	56879-000	56879-000
26	Fuel Hose (P/N 40078-000)	1	8 Inches	8 Inches	26 Inches	26 Inches
27	Hose Clamp	2	62999-001	62999-001	62999-001	62999-001
28	Clamp	1	81018-009	81018-009	81018-009	81018-009
30	Grommet	1	23917-000	23917-000	23917-000	23917-000
31	1/4 - 20 X.75 Hex Head Bolt	2	466-000	466-000	466-000	466-000
32	1/4 Flat Washer	2	512-000	512-000	512-000	512-000
33	Leather Washer	2	16133-000	16133-000	16133-000	16133-000
34	Fuel Filter	1	62496-000	62496-000	62496-000	62496-000
35	Tubular Spacer/Flat Washer	1	62825-008	62825-008	526-000	526-000
37	Self Tapping Screw	1	62173-003	62173-003	62173-000	62173-000

WINCO[®] INC
 A Division of DTI Dyna Technology Inc
 225 South Cordova Avenue
 Le Center MN 56057
 507-357-6831