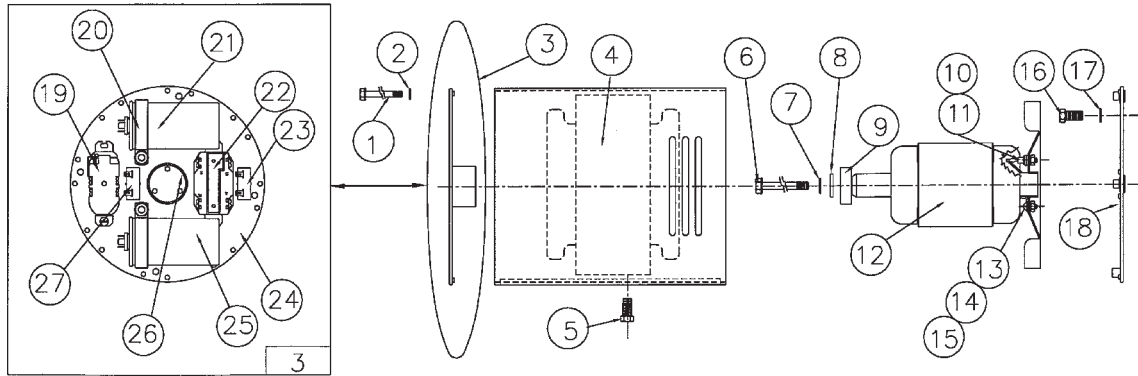


# HOME POWER<sup>®</sup> ILLUSTRATED PARTS LISTS

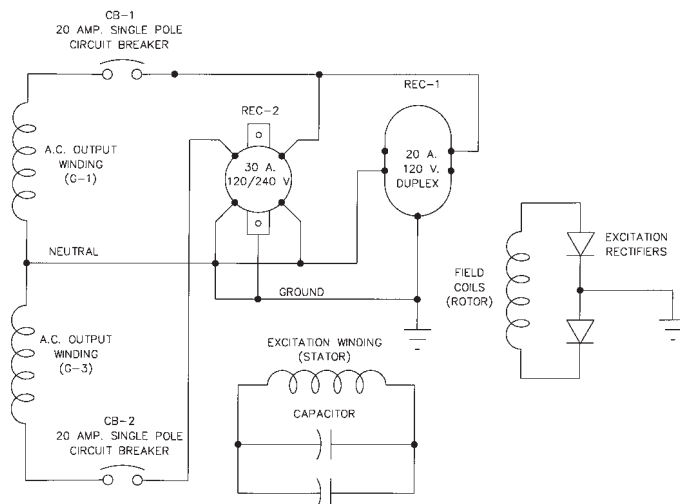
**MODELS: HPS6000HE/A**

## GENERATOR ASSEMBLY



REF	DESCRIPTION	QTY	PART NBR	REF	DESCRIPTION	QTY	PART NBR
01	1/4 - 20 Cap Screw	4	15530-004	15	#10 Nut	1	N/A
02	1/4 Lockwasher	4	479-000	16	Cap Screw	4	464-000
03	Bearing End Bracket Assembly	Ref	16183-000	17	Lockwasher	4	481-000
04	Stator Assembly Complete	1	15359-438	18	Engine End Bracket	1	15367-001
05	5/16-18 X 3/4 Self Tapping Screw	1	Not Used	19	120 Volt Receptacle (5-15R)	1	24749-000
06	5/16-24 Thru-Bolt	1	15529-002	20	Capacitor Strap	2	15374-002
07	5/16 Lockwasher	1	480-000	21	Capacitor	1	15051-000
08	5/16 Flat Washer	1	23558-000	22	120/240 Volt Recept. (L14-30R)	1	97360-000
09	Bearing	1	55223-000	23	Circuit Breaker	1	91286-006
10	Diode (Std)	1	15047-001	24	End Bracket (Bare)	1	15391-022
11	Diode ( Rev)	1	15047-002	25	Capacitor	1	15051-000
12	Rotor Assembly	1	15359-424	26	Tolerance Ring	1	15122-000
13	#10-32 X 3/8 Screw	1	N/A	27	Circuit Breaker	1	91286-006
14	#10 Lockwasher	1	N/A				

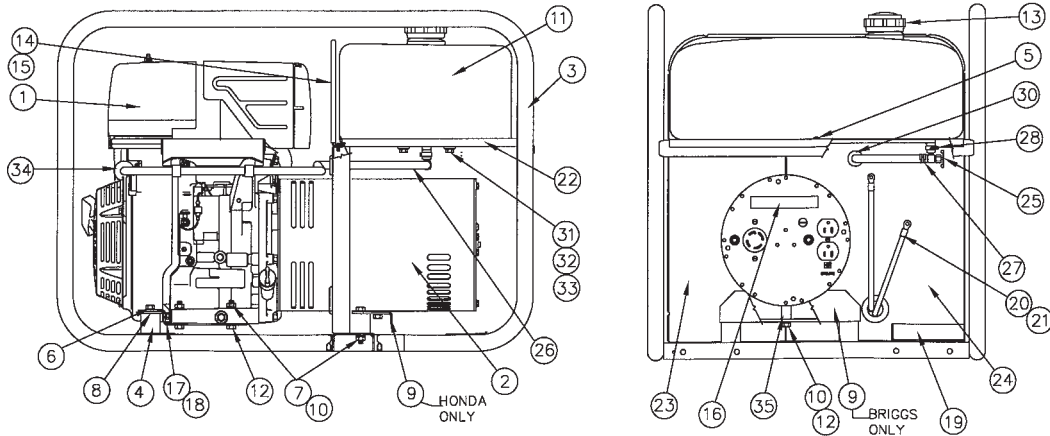
## WIRING DIAGRAM



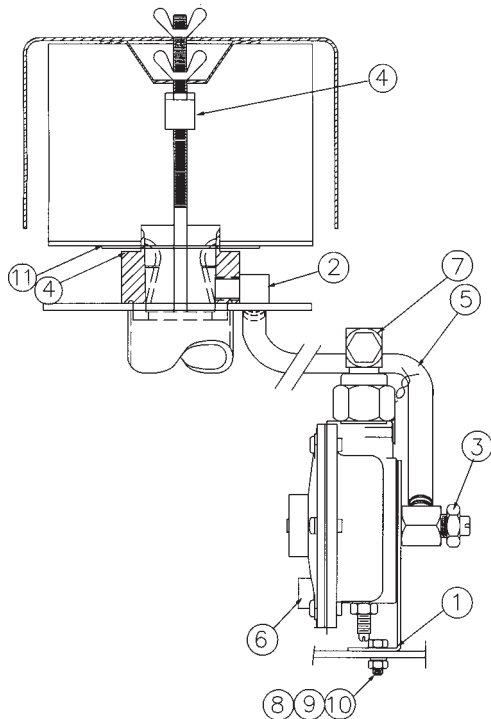
## GENERATOR SPECIFICATIONS

Rotor Resistance	0.95-1.05 Ohms
G1 to N Resistance	0.21-0.23 Ohms
G3 to N Resistance	0.21-0.23 Ohms
Cap Leads Resistance	0.53-0.58 Ohms
AC Residual Voltage	7VAC G1 to N
Winding Spec.	SS1543
AC Connection	AC367

## COMPLETE UNIT ASSEMBLY



REF	DESCRIPTION	QTY	PART #	REF	DESCRIPTION	QTY	PART #
1	Engine Model GX340 Type & Code K1VWE2	1	15428-000	17	Left Side Adapter Bracket	1	15929-002
2	Generator Assembly	REF	15359-031	18	Right Side Adapter Bracket	1	15929-001
3	Cradle Assembly	1	63373-012	19	Battery Rack	1	15676-001
4	Shock Mounts	4	64062-000	20	Positive Battery Cable	1	15767-006
5	#10 X 3/8 Self Tapping Screw	14	21698-001	21	Negative Battery Cable	1	15767-007
6	5/16 X-18 X .63 Hex Head Bolt	2	477-000	22	Fuel Tank Tray	1	15462-012
7	5/16 Split Lockwasher	9	480-000	23	Left Support Panel	1	15223-014
8	1.50 X .344 Flat Washer	4	N/A	24	Right Support Panel	1	15222-016
9	Generator Support Bracket	1	15545-006	25	Shut Off Valve/Elbow	1	56879-000
10	5/16 Hex Nut	4	458-000	26	Fuel Hose (P/N 40078-000)	1	26 Inches
11	Fuel Tank 4.5 Gal	1	64024-000	27	Hose Clamp	2	62999-001
12	5/16 - 18 x1.75 Hex Head Bolt	3	9416-000	28	Clamp	1	81018-008
13	Fuel Cap	1	15482-000	30	Grommet	1	23917-000
14	Home Power Decal	1	64214-045	31	1/4 - 20 X.75 Hex Head Bolt	2	466-000
15	Model Decal	1	15370-008	32	1/4 Flat Washer	2	512-000
16	Safety Decal	1	15209-000	33	Leather Washer	2	16133-000
				34	Fuel Filter	1	62496-000
				35	Tubular Spacer/Flat Washer	1	526-000



REF	DESCRIPTION	QTY	PART #
1	Regulator Mounting Brkt	1	64164-001
2	Hose Barb	1	55590-000
3	Load Block	1	63586-000
4	Vapor Fuel Adapter Kit	1	63581-001
5	Vapor Fuel Hose 12"	1	55505-000
6	Demand Regulator	1	55501-003
7	Street Elbow	1	22339-000
8	Lockwasher 5/16	2	480-000
9	Cap Screw 5/16-18 X 5/8	2	467-000
10	Hex Nut 5/16-18	2	458-000
11	Retainer	1	91345-001

**WINCO<sup>®</sup> INC**  
*A Division of DTE Dyna Technology Inc*  
 225 South Cordova Avenue  
 Le Center MN 56057  
 507-357-6831