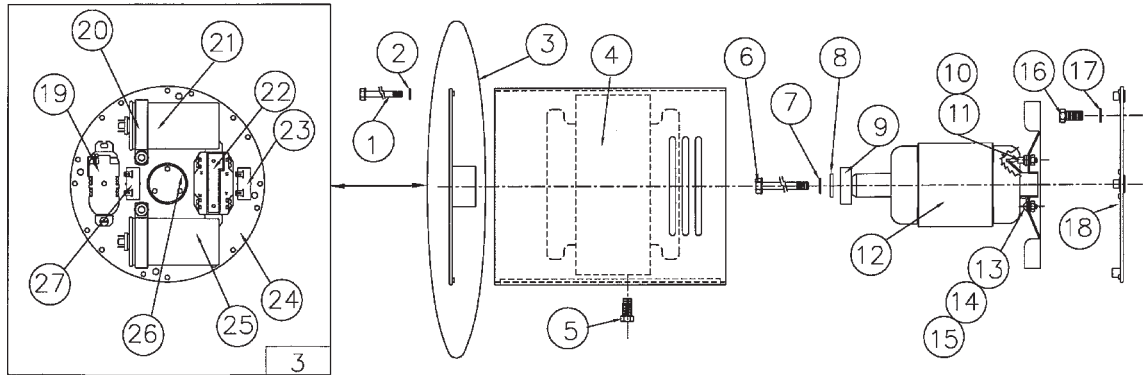


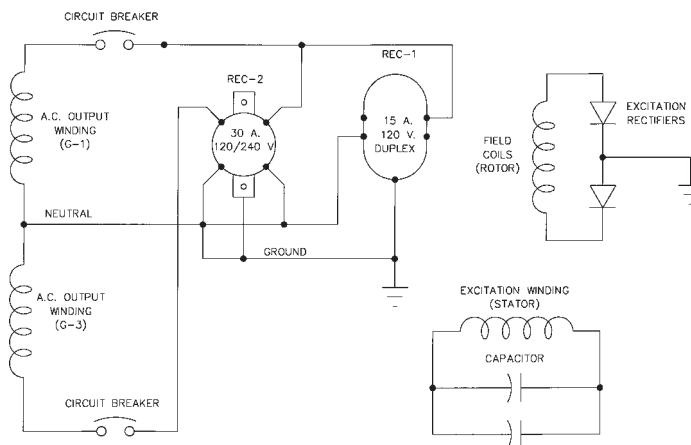
MODELS DL5000H/A, DL4500/A, DL4500E/A

GENERATOR ASSEMBLY



REF	DESCRIPTION	QTY	PART NBR	REF	DESCRIPTION	QTY	PART NBR
01	1/4 - 20 Cap Screw	4	15530-003	15	#10 Nut	1	6372-000
02	1/4 Lockwasher	4	479-000	16	Cap Screw	4	464-000
03	Bearing End Bracket Assembly	Ref	16180-000	17	Lockwasher	4	481-000
04	Stator Assembly Complete	1	15359-437	18	Engine End Bracket (Briggs)	1	15367-000
					Engine End Bracket (Honda)	1	15367-001
05	5/16-18 X 3/4 Self Tapping Screw	1	Not Used	19	120 Volt Receptacle (5-15R)	1	24749-000
06	5/16-24 Thru-Bolt	1	15529-001	20	Capacitor Strap	1	15374-002
07	5/16 Lockwasher	1	480-000	21	Capacitor	1	15051-000
08	5/16 Flat Washer	1	23558-000	22	120/240 Volt Recept. (L14-30R)	1	97360-000
09	Bearing	1	55223-000	23	Circuit Breaker	1	91286-001
10	Diode (Std)	1	15047-001	24	End Bracket (Bare)	1	15391-022
11	Diode (Rev)	1	Not Used	25	Capacitor	1	Not Used
12	Rotor Assembly	1	15359-421	26	Tolerance Ring	1	15122-000
13	#10-32 X 3/8 Screw	1	599-000	27	Circuit Breaker	1	91286-001
14	#10 Lockwasher	1	484-000				

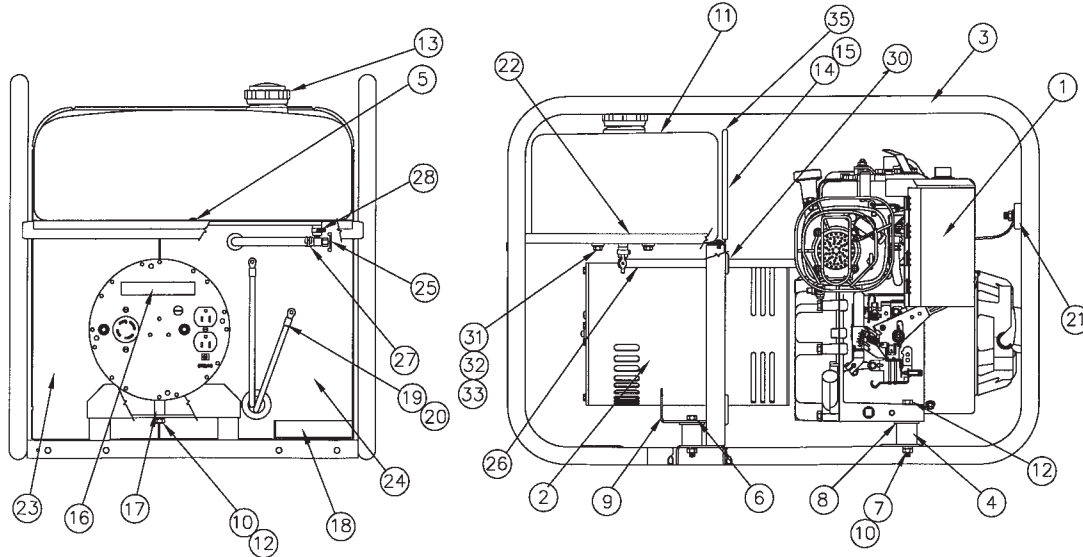
WIRING DIAGRAM



GENERATOR SPECIFICATIONS

Rotor Resistance	0.79-0.87 Ohms
G1 to N Resistance	0.61-0.67 Ohms
G3 to N Resistance	0.61-0.67 Ohms
Cap Leads Resistance	2.10-2.33 Ohms
AC Residual Voltage	7VAC G1 to N
Winding Spec.	SS1541
AC Connection	AC367

COMPLETE UNIT ASSEMBLY



REF	DESCRIPTION	QTY	DL5000H/A	DL4500/A	DL4500E/A
1	Engine	1	15542-001	16089-000	16089-003
	Model		GX270	197412	192417
	Type & Code		VW12	1010-E1	1194-E1
2	Generator Assembly	REF	15359-030	15359-029	15359-029
3	Cradle Assembly	1	63073-008	63073-008	63073-008
4	Shock Mounts	4	64062-000	64062-000	64062-000
5	#10 X 3/8 Self Tapping Screw	14	21698-001	21698-001	21698-001
6	5/16 X-18 X .63 Hex Head Bolt	2	477-000	477-000	477-000
7	5/16 Split Lockwasher	9	480-000	480-000	480-000
8	1.50 X .344 Flat Washer	4	23760-000	23760-000	23760-000
9	Generator Support Bracket	1	15545-005	15545-005	15545-005
10	5/16 Hex Nut	4	458-000	458-000	458-000
11	Fuel Tank 4.5 Gal	1	64024-000	64024-000	64024-000
12	5/16 - 18 x1.75 Hex Head Bolt	3	9416-000	9416-000	9416-000
13	Fuel Cap	1	15482-000	15482-000	15482-000
14	Dyna Decal	1	15370-000	15370-000	15370-000
15	Model Decal	1	15370-012	15370-013	15370-013
16	Safety Decal	1	15209-000	15209-000	15209-000
17	Tubular Split Spacer	1	62825-008	62825-008	62825-008
18	Battery Rack	1	N/A	N/A	15676-001
19	Positive Battery Cable	1	N/A	N/A	15767-011
20	Negative Battery Cable	1	N/A	N/A	15767-009
21	Start Switch	1	N/A	N/A	2210-000
22	Fuel Tank Tray	1	15462-009	15462-009	15462-009
23	Left Support Panel	1	15223-010	15223-010	15223-010
24	Right Support Panel	1	15222-010	15222-010	15222-010
25	Shut Off Valve/Elbow	1	56879-000	98771-000	98771-000
26	Fuel Hose (P/N 40078-000)	1	26 Inches	8 Inches	8 Inches
27	Hose Clamp	2	62999-001	62999-001	62999-001
28	Clamp	1	81018-008	81018-008	81018-008
30	Grommet	1	23917-000	23917-000	23917-000
31	1/4 - 20 X.75 Hex Head Bolt	2	466-000	466-000	466-000
32	1/4 Flat Washer	2	512-000	512-000	512-000
33	Leather Washer	2	16133-000	16133-000	16133-000
34	Fuel Filter	1	62496-000	62496-000	62496-000
35	Edge Trim	27"	58684-000	58684-000	58684-000

WINCO INC
A Division of DTE Dyna Technology Inc
225 South Cordova Avenue
Le Center MN 56057
507-357-6831