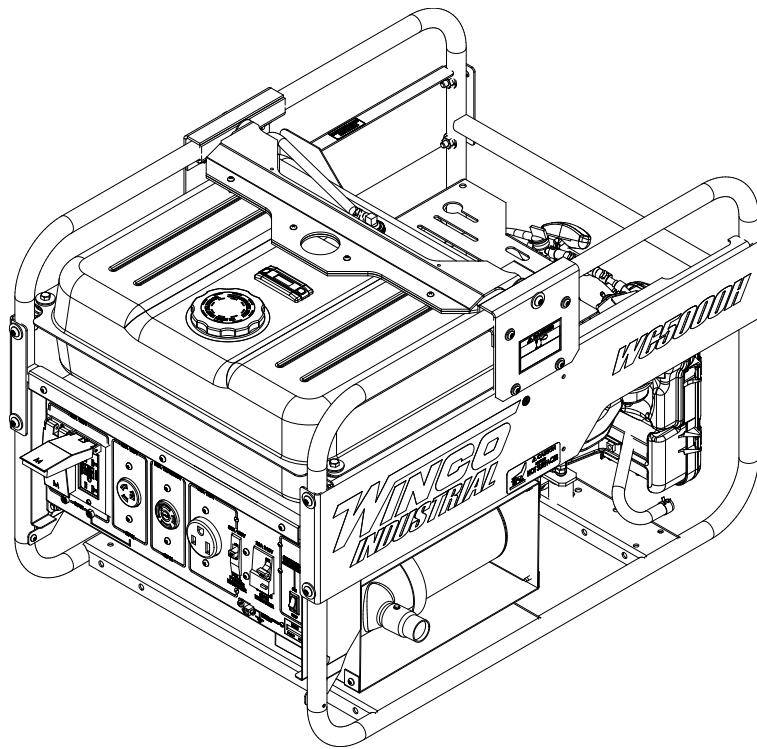


WINCO[®] INC

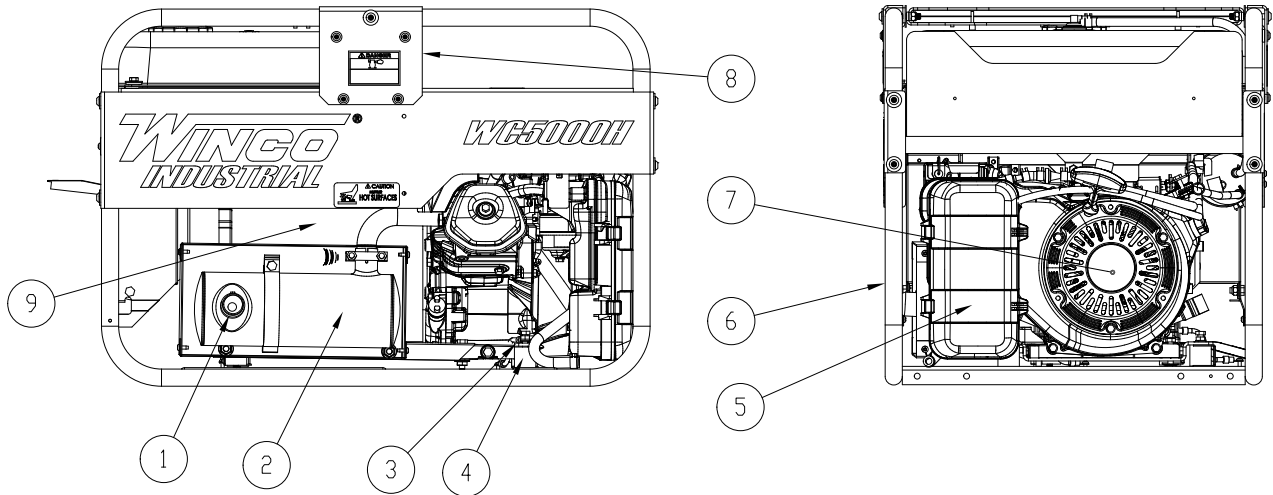
ILLUSTRATED PARTS LIST

WC5000H/F



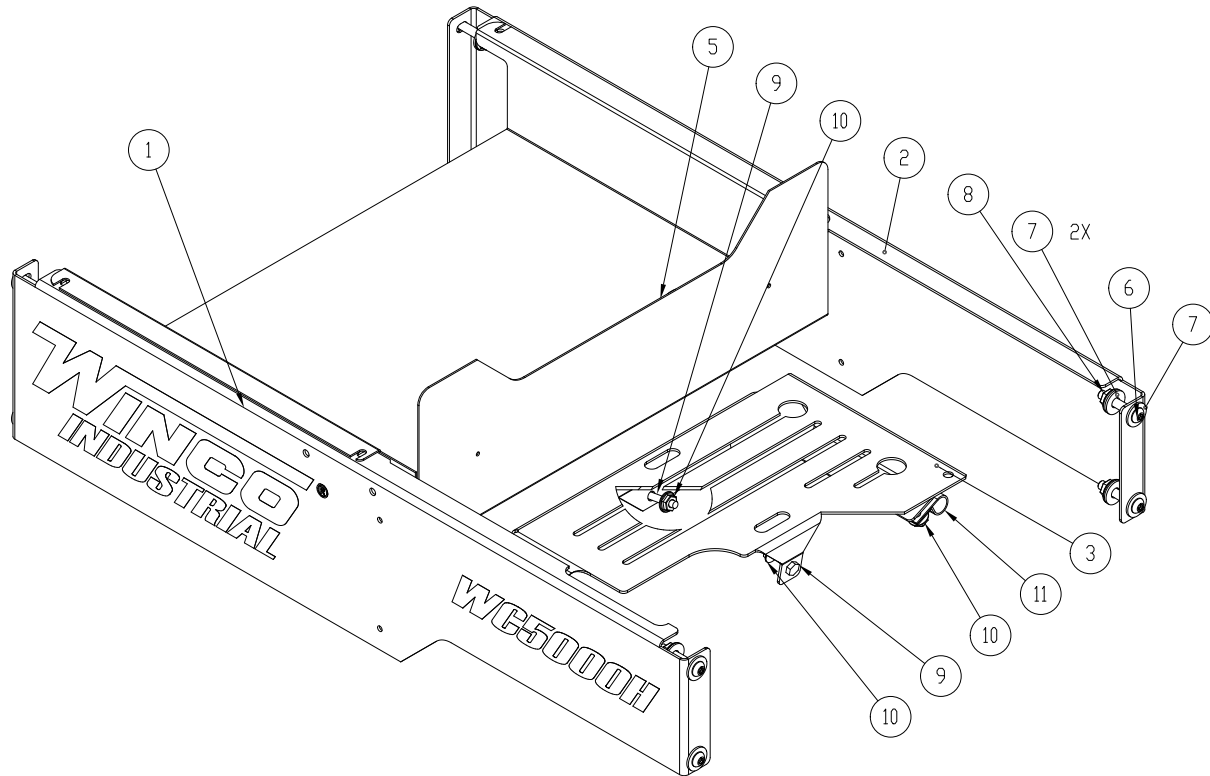
**WINCO INC.
225 S. CORDOVA AVE.
LE CENTER, MN 56057
(507) 357-6821
SERVICE DEPT.
(507) 357-6831
wincogen.com**

COMPLETE ASSEMBLY



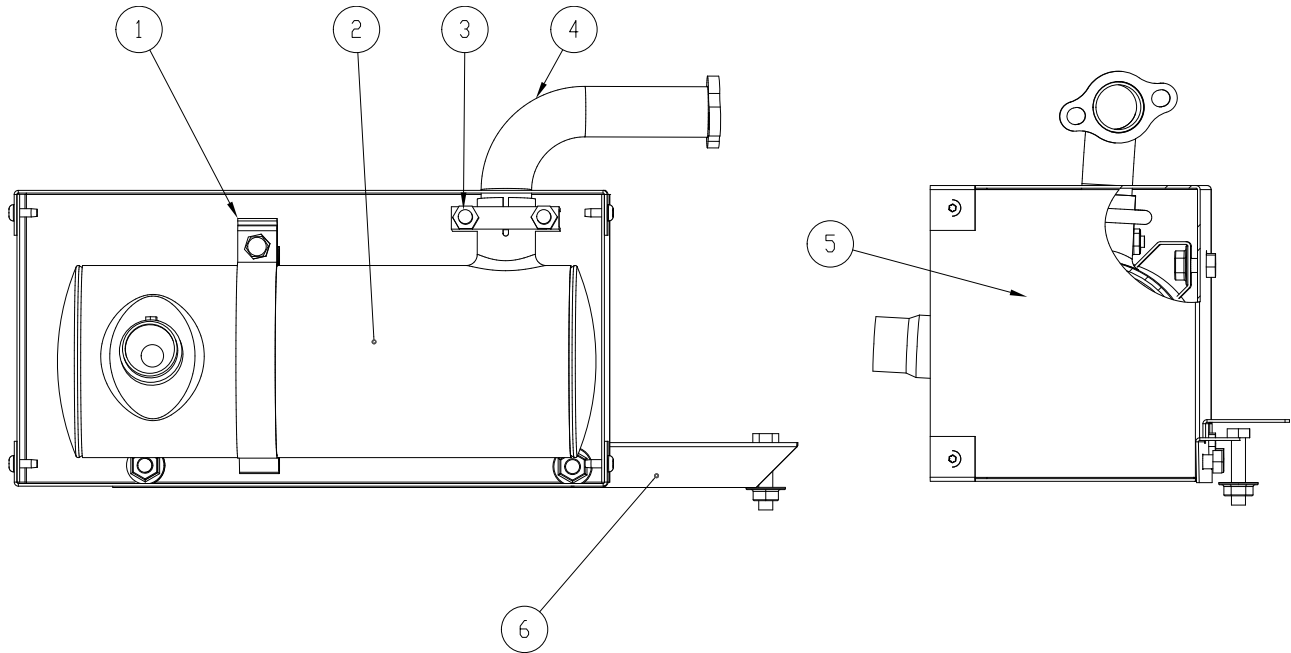
REF #	PART NUMBER	QTY	DESCRIPTION
1	15769-002	1	Spark Arrestor
2	16470-006	Ref.	Exhaust Installation
3	15929-004	1	Engine Shock Mount Adapter
4	64062-000	4	Shock Mount
5	17211-899-000	1*	Air Filter
6	63073-043	1	Cradle
7	15542-004	1	Engine, Honda GX270RT2VMT2 Code: GCBGT
8	300144-10	Ref.	Lifting Eye Assembly
NI	BPR5ES	1**	NGK Spark Plug
NI	Not Illustrated		
*	Honda Part #		
**	NGK Part #		

SHEET METAL PARTS



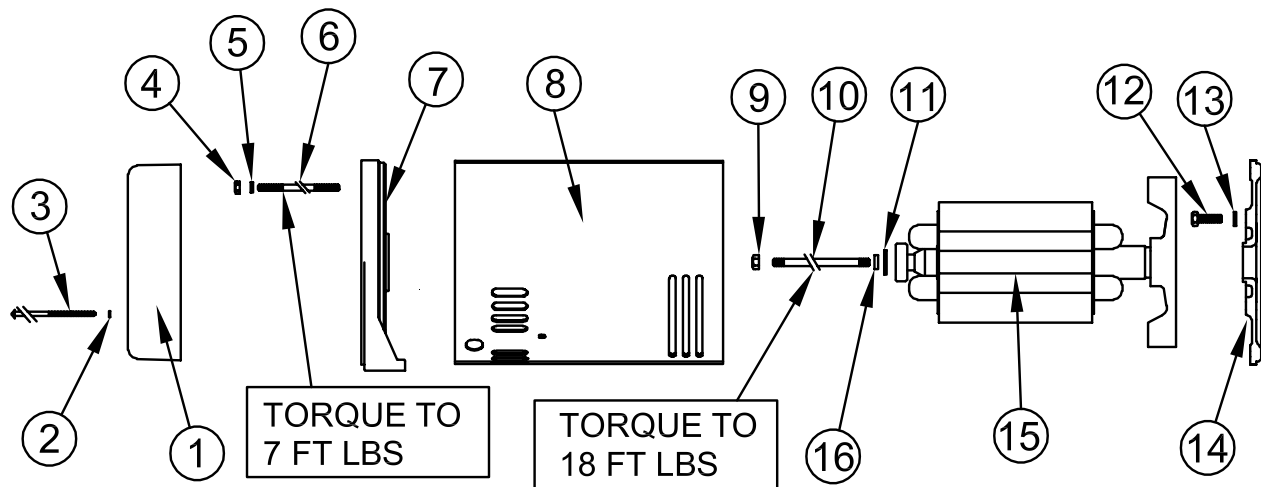
REF #	PART NUMBER	QTY	DESCRIPTION
1	300217-3SWC5H	1	Right Side Rail
2	300216-3SWC5H	1	Left Side Rail
3	15679-008S	1	Governor Cover
5	15462-045	1	Fuel Tank Tray
6	64858-004	8	5/16-18 X 1.75 Screw
7	526-000	16	Washer
8	16249-000	8	Flange Nut
9	95281-000	4	1/4-20 X 1.25 Bolt
10	16248-000	4	1/4-20 Flange Nut
11	97391-003	1	Cushion Clamp

EXHAUST ASSEMBLY



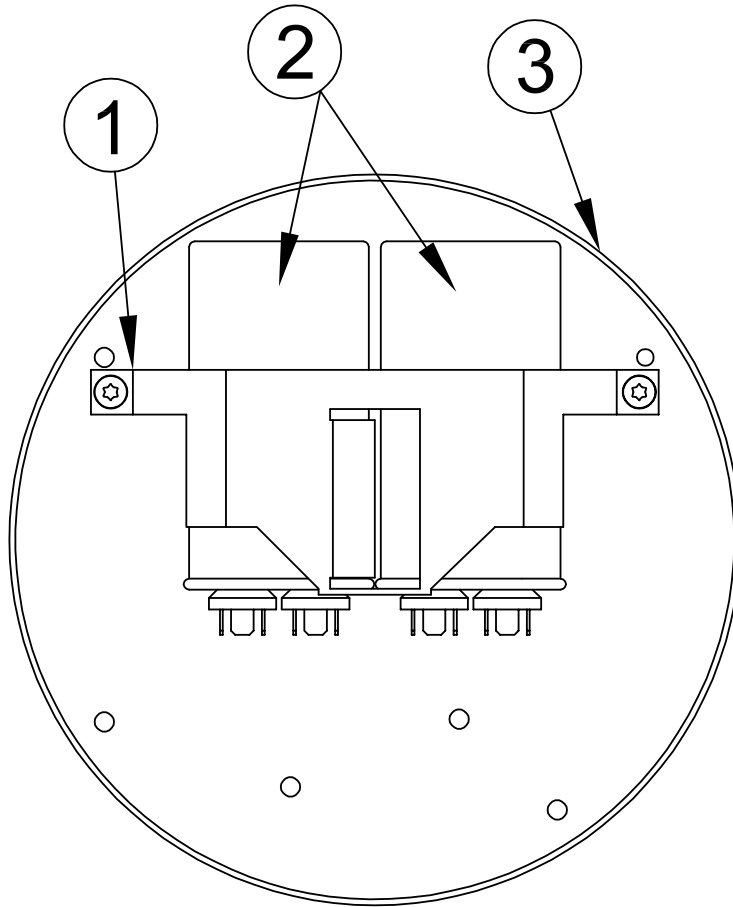
REF #	PART NUMBER	QTY	DESCRIPTION
1	93484-012	1	Muffler Mounting Bracket
2	350590-11	1	Muffler
3	93489-018	1	Muffler Clamp
4	16479-004	1	Exhaust Manifold
5	15687-013	1	Heat Shield
6	15687-015	1	Heat Shield Mounting Bracket

GENERATOR ASSEMBLY



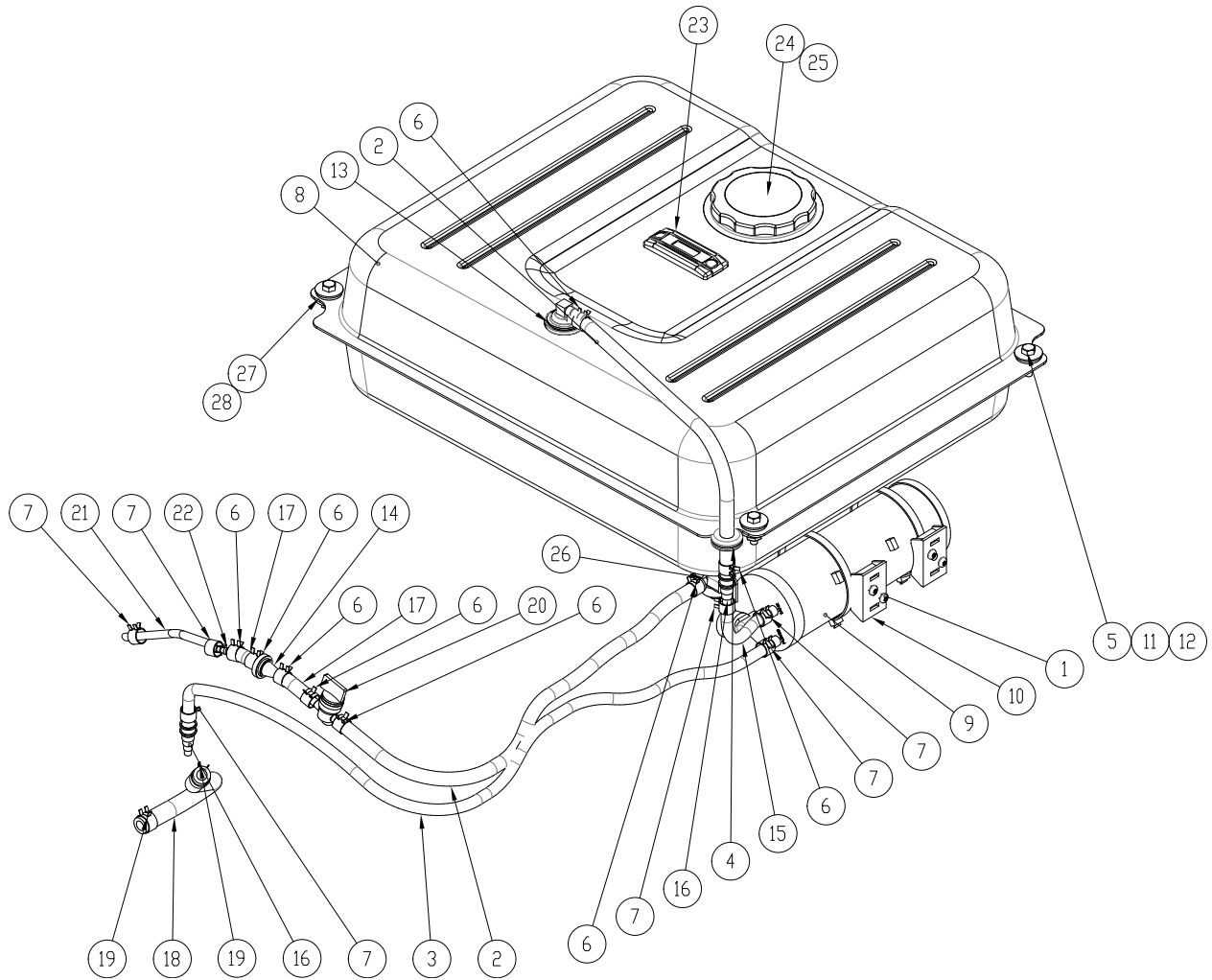
REF #	PART NUMBER	QTY	DESCRIPTION
1	15086-000	1	End Cover Assembly
2	21975-000	4	Lock Washer
3	15013-000	4	Screw
4	15192-000	4	1/4-20 Nut
5	479-000	4	Lock Washer
6	15068-008	4	1/4-20 Bolt / Stud
7	15015-001	1	End Bracket Assembly
8	15091-005	1	Stator Assembly
9	15193-000	1	5/16-24 Nut
10	23197-009	1	5/16-24 Bolt / Stud
11	23558-000	1	Washer
12	91658-003	4	Bolt
13	481-000	4	Lock Washer
14	15008-001	1	Engine Bracket
15	15045-005	1	Rotor Assembly
16	480-001	1	Lock Washer
NI	15047-001	1	Standard Polarity Diode
NI	15047-002	1	Reverse Polarity Diode
NI	15122-000	1	Tolerance Ring - this comes with end bracket
NI	55223-000	1	Bearing on Rotor Assy
NI	Not Illustrated		

END COVER ASSEMBLY



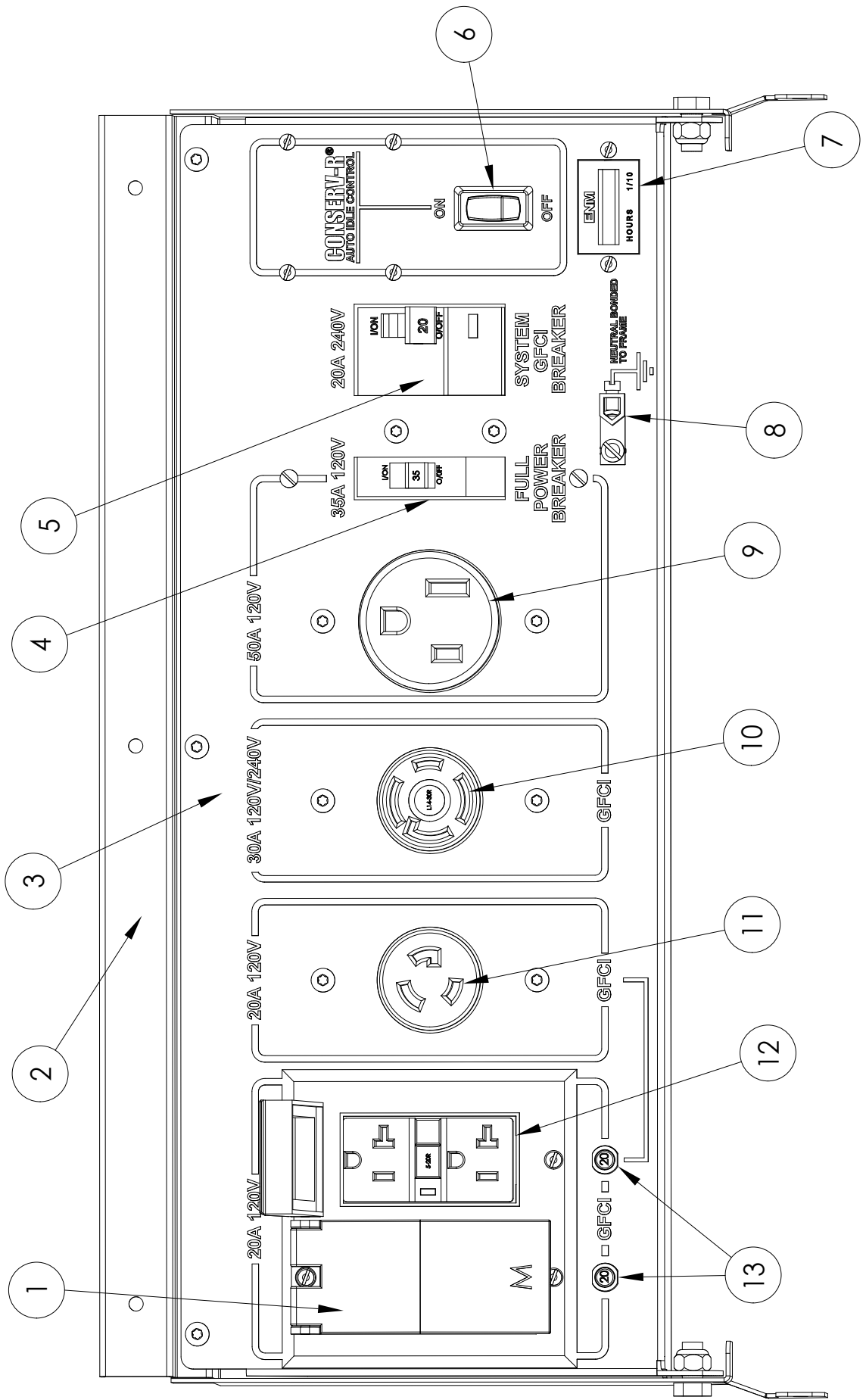
REF #	PART NUMBER	QTY	DESCRIPTION
1	15088-000	1	Capacitor Strap
2	15051-000	2	40mf 370VAC Capacitor
3	15106-000	1	End Cover

FUEL SYSTEM ASSEMBLY

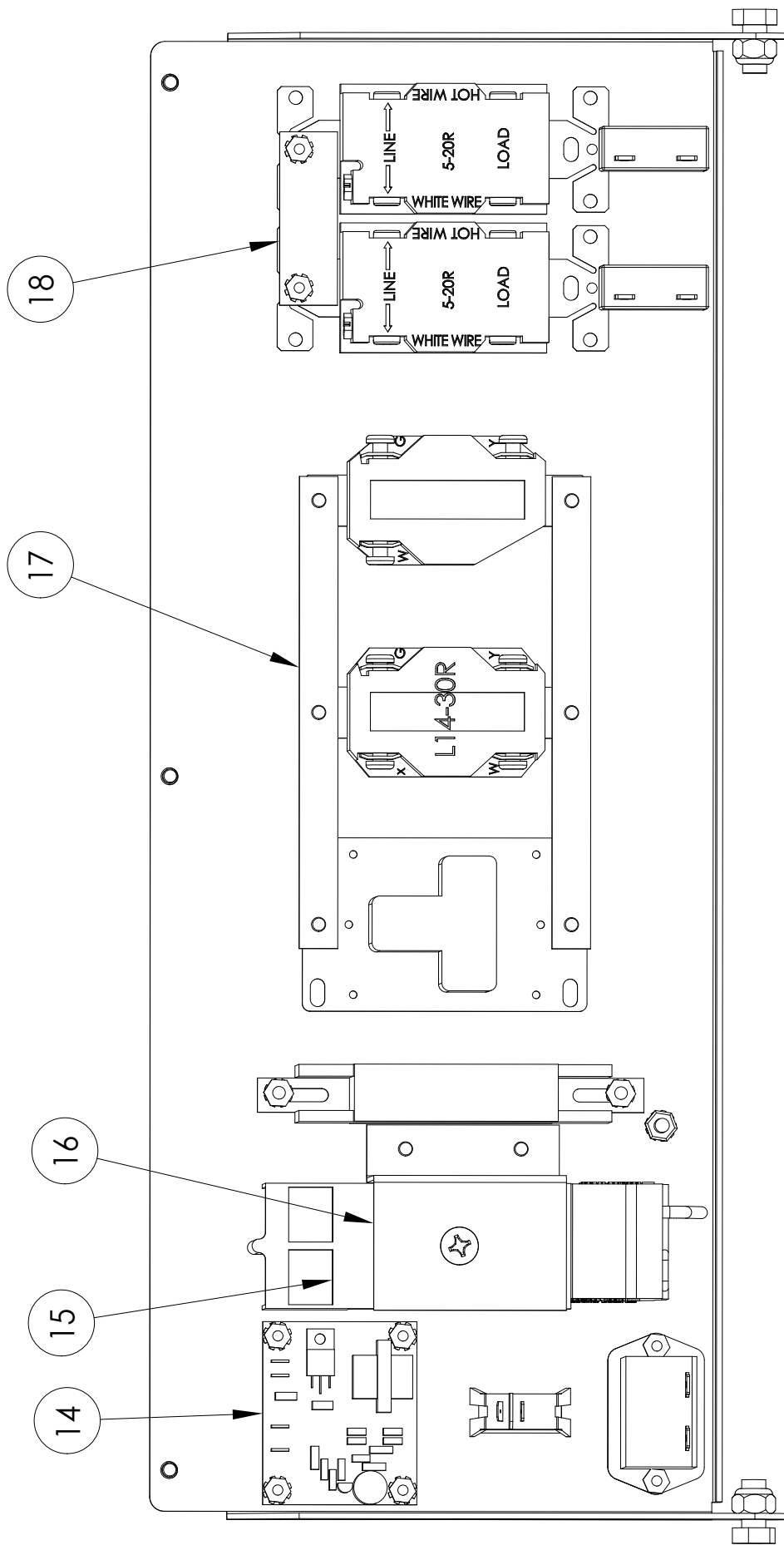


REF #	PART NUMBER	QTY	DESCRIPTION
1	21698-001	4	Torx Screw
2	40078-000	13"	1/4" Fuel Hose
3	40077-000	37"	3/16" Fuel Hose
4	40730-000	1	Grommet
5	439-000	4	1/4-20 X 1 Bolt
6	62999-001	8	Hose Clamp .5 OD Red
7	62999-005	6	Hose Clamp .41 OD Green
8	64024-013	1	7 Gallon Metal Fuel Tank
9	80902-000	1	Carbon Canister
10	81902-000	2	Mounting Bracket
11	267-002	4	Flat Washer
12	16248-000	4	Flange Nut
13	80903-002	1	Slosh Valve with Grommet
14	62496-005	1	Fuel Filter 40-70 Micron
15	40077-000	3"	3/16" Fuel Hose
16	98590-003	2	Hose Reducer
17	40078-000	2"	1/4" Fuel Hose
18	55505-000	2.25"	3/8" Fuel Hose
19	62999-004	2	Hose Clamp .69 OD
20	98771-005	1	Fuel Valve
21	40077-000	7"	3/16" Fuel Hose
22	98590-002	1	Hose Reducer 1/4" X 3/16"
23	64024-402	1	Fuel Gauge
24	64024-403	1	Filter Inside Tank
25	64024-401	1	Sealed Fuel Cap
26	64024-404	1	Fuel Tank Shut Off Valve
27	64024-406	4	Rubber Bushing
28	64024-405	4	Anti-Crush Insert

RECEPTACLE PANEL ASSEMBLY



RECEPTACLE PANEL ASSEMBLY

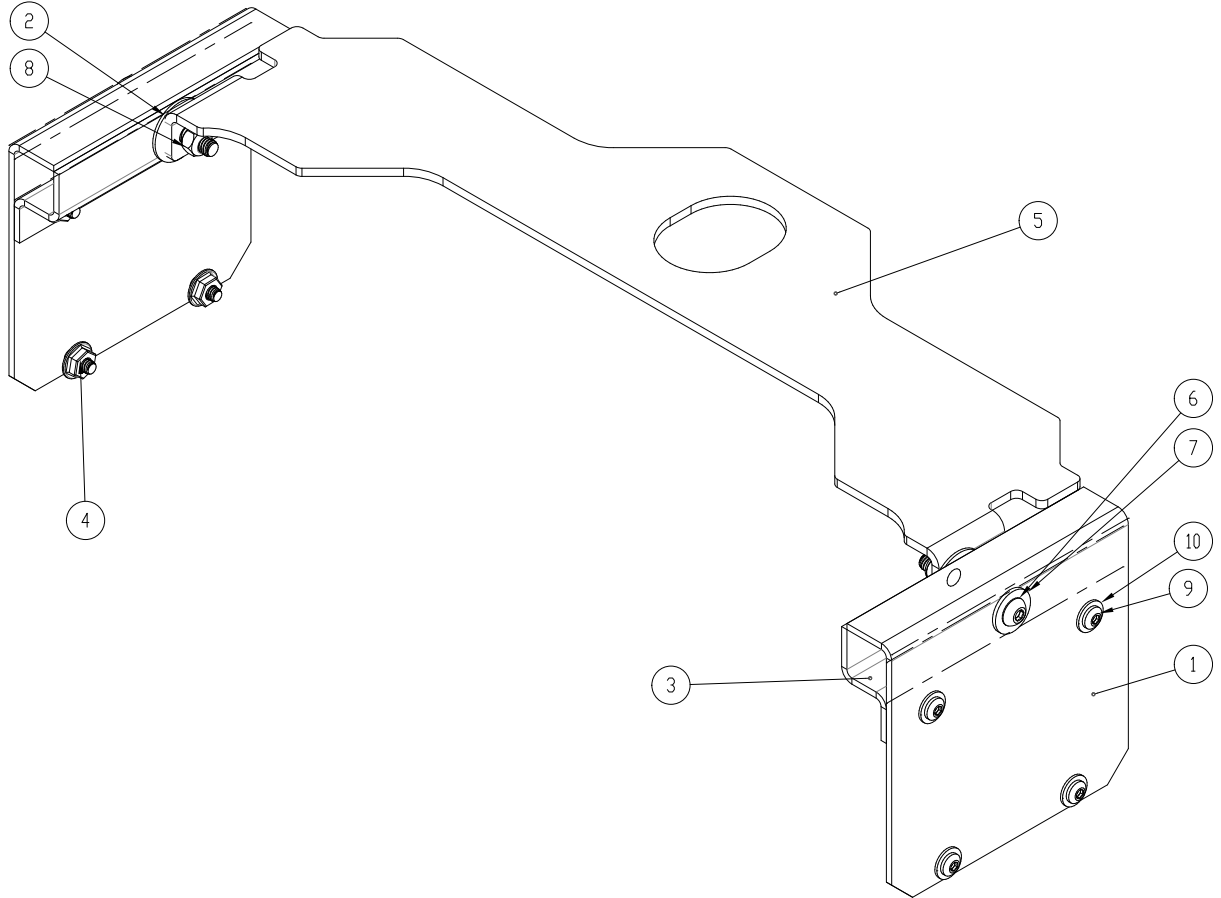


REF #	PART NUMBER	QTY	DESCRIPTION
1	15620-007	1	2-Gang GFCI Cover
2	15221-025S	1	Back Panel
3	15458-027S	1	Front Panel
4	91977-008	1	35A 1-Pole Circuit Breaker
5	16488-017	1	20A 2-Pole GFCI Breaker
6	64089-000	1	SPST Rocker Switch
7	58166-001	1	Running Time Meter
8	48042-001	1	Ground Lug
9	54545-000	1	NEMA 5-50R Receptacle
10	97360-000	1	NEMA L14-30R Receptacle
11	56279-000	1	NEMA L5-20R Receptacle
12	15147-003	2	NEMA 5-20R GFCI Receptacle
13	91286-001	2	20A 1-Pole Circuit Breaker
14	300042	1	Idle Control Module
15	16489-001	1	Modified Terminal Block
16	16319-000	1	Breaker Mounting Bracket
17	64045-006	2	3-Hole Mounting Strap
18	64045-041	1	2-Hole Mounting Strap
NI	300108	1	10W 250 Ohm Resistor
NI	62486-000	1	Grommet
NI	Not Illustrated		

DECALS

REF #	PART NUMBER	QTY	DESCRIPTION
1	15209-000	1	Decal Set
2	15209-001	1*	Gasoline Decal
3	15209-002	1*	Danger CO2 Decal
4	15209-003	1*	Electrical Shock Decal
5	64918-000	2	Danger Use Outside Decal
6	63941-001	2	Hot Surface Decal
7	15209-013	1	Fuel Type Decal
8	15209-014	1	Check Oil Decal
9	63966-004	1	Winco Nameplate
10	15208-000	1	Tank Permeation Decal
*	Part of 15209-000		

LIFTING EYE ASSEMBLY



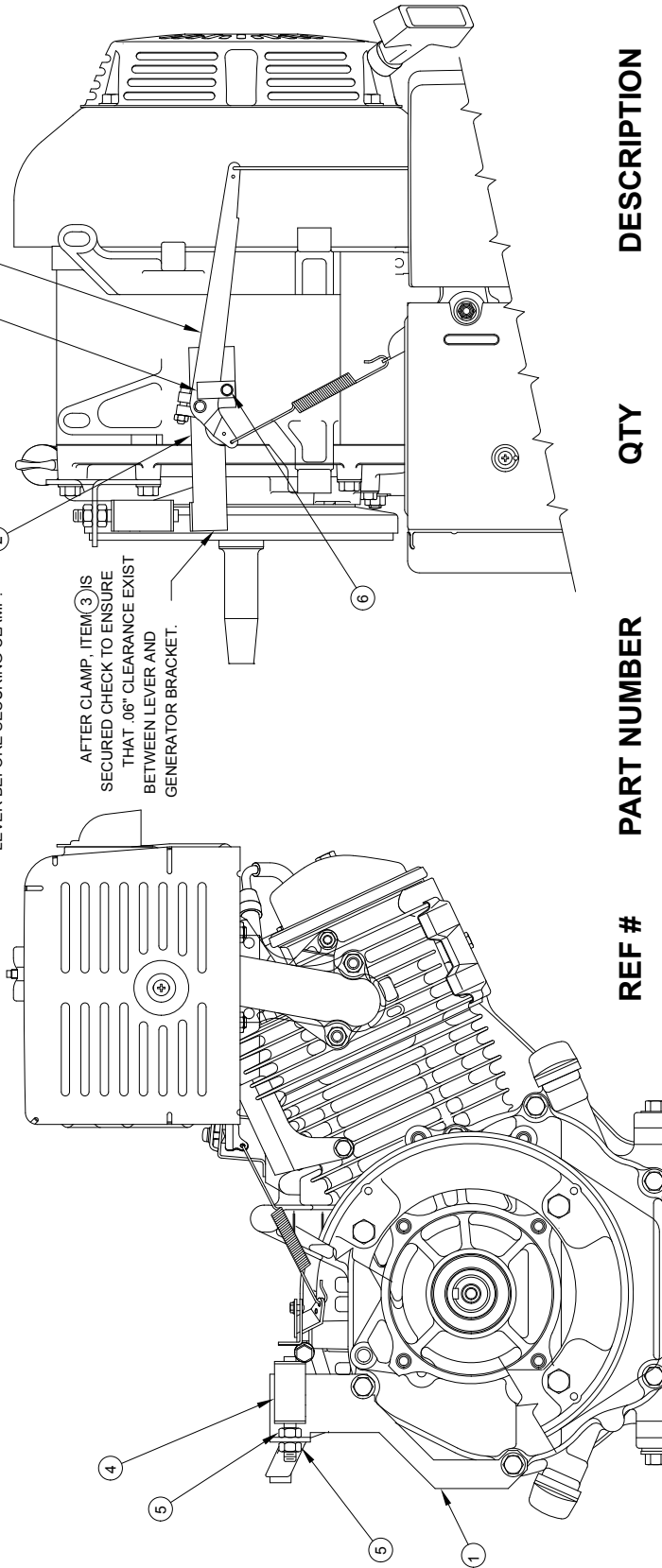
REF #	PART NUMBER	QTY	DESCRIPTION
1	300149-10	2	Lifting Eye Support
2	96286-007	2	Nylon Flat Washer
3	300148-11	2	Inside Bracket
4	16248-000	8	.25-20 Flange Nut
5	512-000	8	.25 Washer
6	300148-22	2	Lifting Eye
7	64858-006	2	5/16 Button Head Cap Screw
8	526-000	2	Washer
9	47136-000	2	5/16-18 Nylock Hex Nut
10	64858-001	8	3/4 Button Head Cap Screw

ENGINE IDLE CONTROL (CONSERVER) ASSEMBLY

REMOVE GOVERNOR ARM AND REPLACE AFTER INSTALLATION OF ITEM(4) ROTATION OF SHAFT AND ARM TO STOP AT DIRECTION OF SPRING PULL BEFORE TIGHTENING GOVERNOR SHAFT CLAMP.

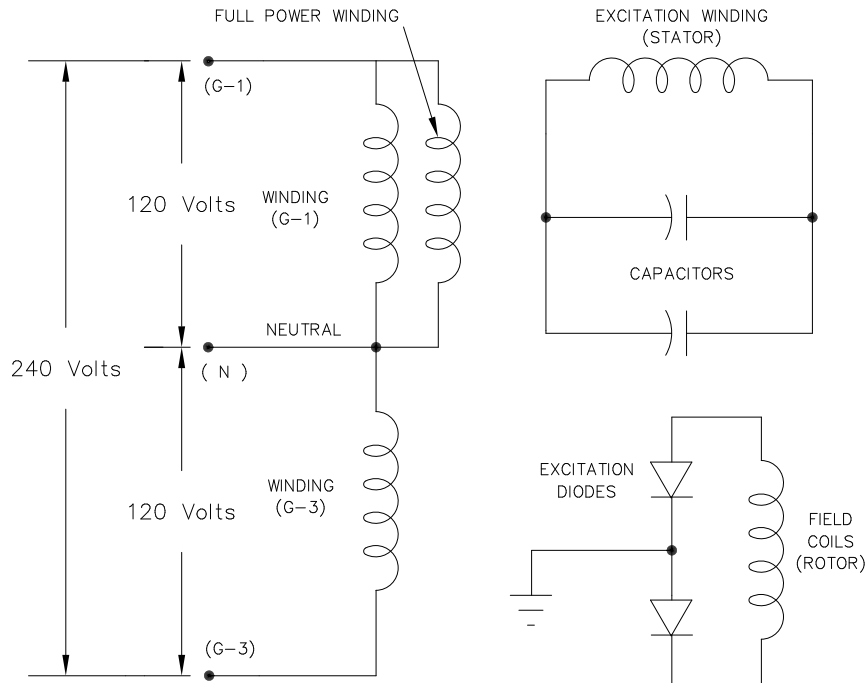
ALIGN HOLES IN GOVERNOR LEVER WITH LARGE HOLE IN CONSERVER LEVER BEFORE SECURING CLAMP.

AFTER CLAMP, ITEM(3) IS SECURED CHECK TO ENSURE THAT .06" CLEARANCE EXIST BETWEEN LEVER AND GENERATOR BRACKET.



REF #	PART NUMBER	QTY	DESCRIPTION
1	15416-000	1	Conserver Mounting Bracket
2	15415-000	1	Conserver Lever
3	62309-000	1	Clamp
4	15182-000	1	Conserver Electro-Magnet
5	44894-000	2	5/16-24 Hex Jam Nut
6	55556-000	1	Self Tapping Screw

AC SCHEMATIC



GENERATOR SPECIFICATIONS:

G1 to Neutral	0.18 Ohms
G3 to Neutral	0.36 Ohms
"Q" Winding	0.55 Ohms
Rotor	1.0 Ohms

Winding Spec.	SS1531
AC Connection	AC367
AC Residual Volts	7.0 VAC L-L

WIRING DIAGRAM

