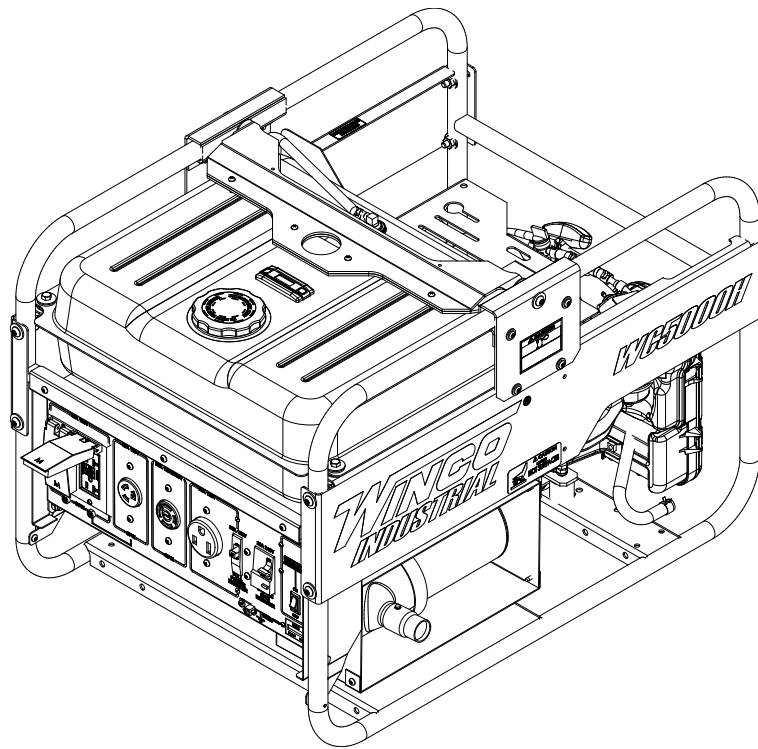


WINCO[®] INC

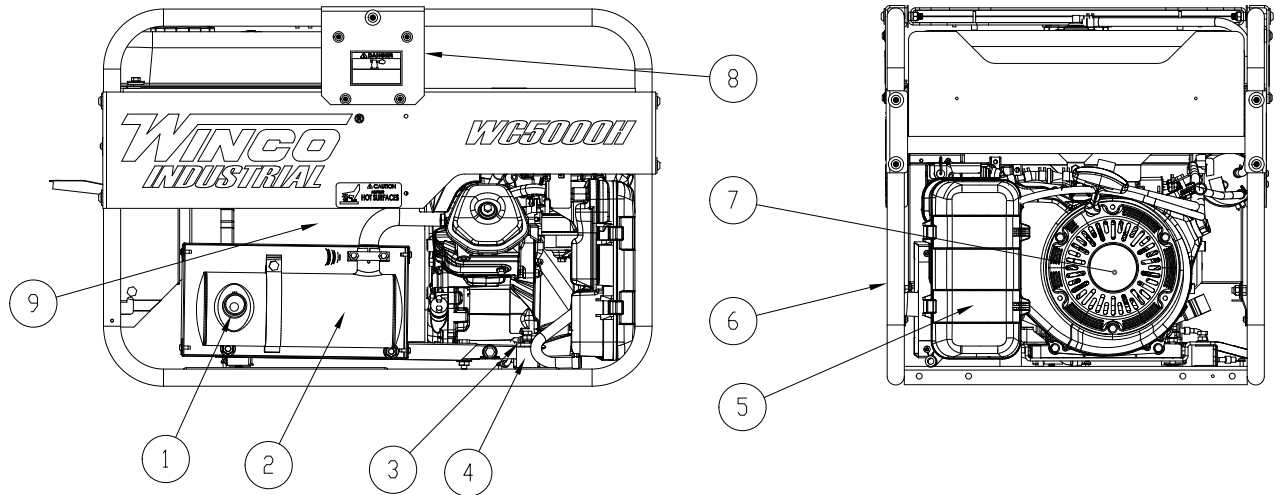
ILLUSTRATED PARTS LIST

WC5000H/E



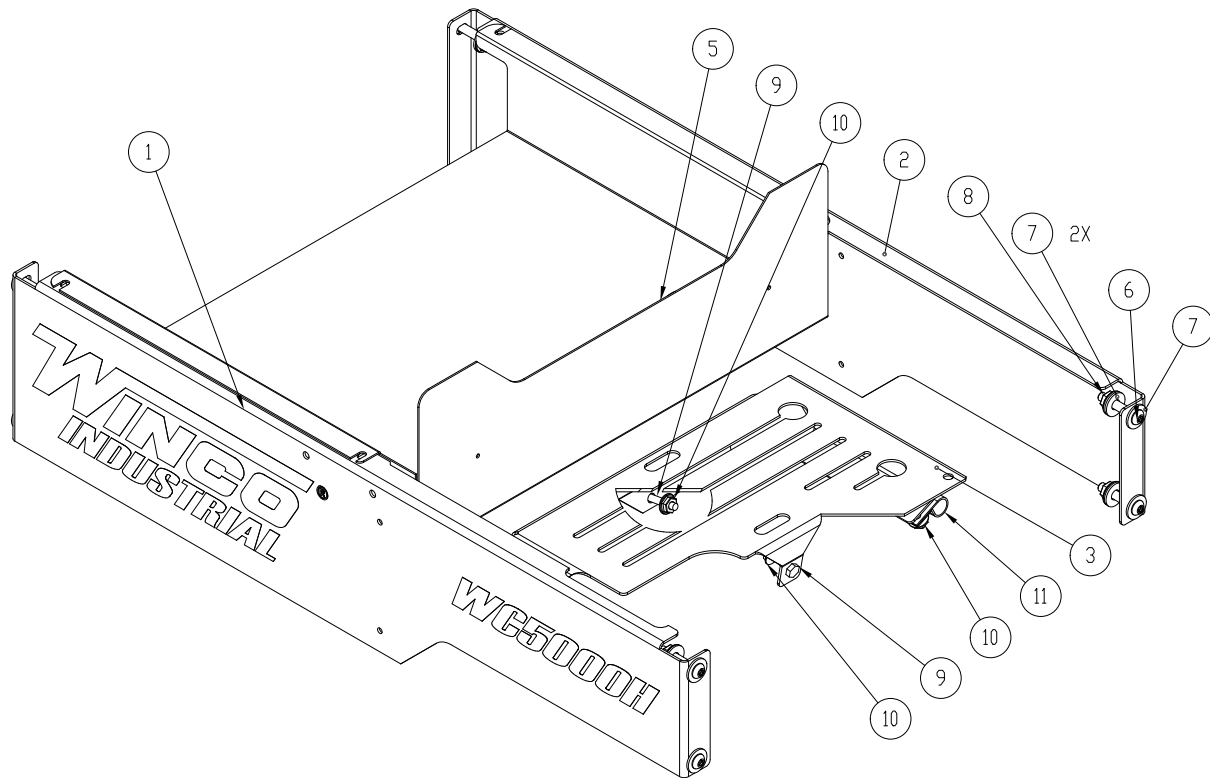
**WINCO INC.
225 S. CORDOVA AVE.
LE CENTER, MN 56057
(507) 357-6821
SERVICE DEPT.
(507) 357-6831
wincogen.com**

COMPLETE ASSEMBLY



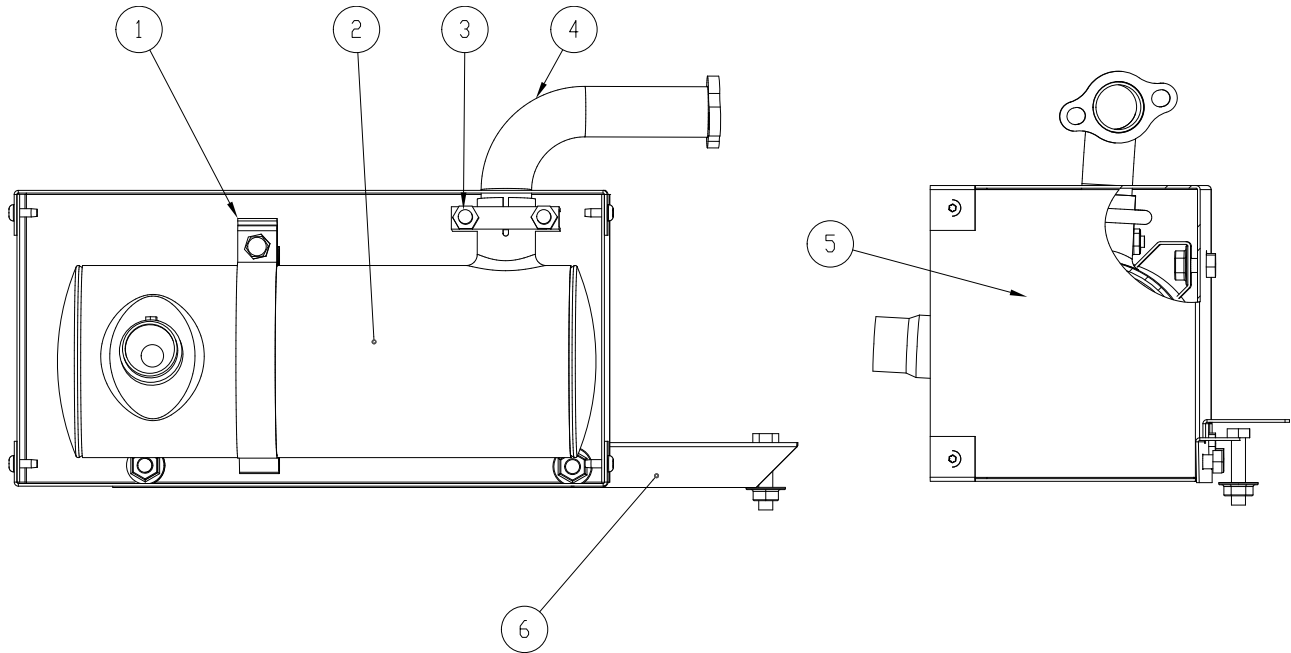
| REF # | PART NUMBER | QTY | DESCRIPTION |
|-------|-----------------|------|--|
| 1 | 15769-002 | 1 | Spark Arrestor |
| 2 | 16470-006 | Ref. | Exhaust Installation |
| 3 | 15929-004 | 1 | Engine Shock Mount Adapter |
| 4 | 64062-000 | 4 | Shock Mount |
| 5 | 17211-899-000 | 1* | Air Filter |
| 6 | 63073-043 | 1 | Cradle |
| 7 | 15542-004 | 1 | Engine, Honda GX270RT2VMT2 Code: GCBGT |
| 8 | 300144-10 | Ref. | Lifting Eye Assembly |
| NI | BPR5ES | 1** | NGK Spark Plug |
| NI | Not Illustrated | | |
| * | Honda Part # | | |
| ** | NGK Part # | | |

SHEET METAL PARTS



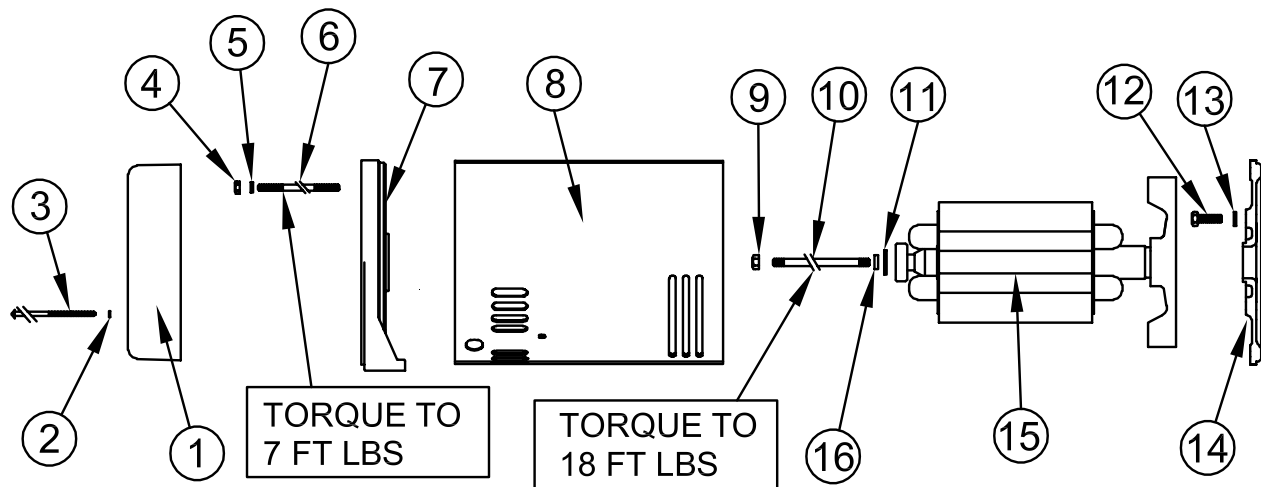
| REF # | PART NUMBER | QTY | DESCRIPTION |
|-------|---------------|-----|----------------------|
| 1 | 300217-3SWC5H | 1 | Right Side Rail |
| 2 | 300216-3SWC5H | 1 | Left Side Rail |
| 3 | 15679-008S | 1 | Governor Cover |
| 5 | 15462-045 | 1 | Fuel Tank Tray |
| 6 | 64858-004 | 8 | 5/16-18 X 1.75 Screw |
| 7 | 526-000 | 16 | Washer |
| 8 | 16249-000 | 8 | Flange Nut |
| 9 | 95281-000 | 4 | 1/4-20 X 1.25 Bolt |
| 10 | 16248-000 | 4 | 1/4-20 Flange Nut |
| 11 | 97391-003 | 1 | Cushion Clamp |

EXHAUST ASSEMBLY



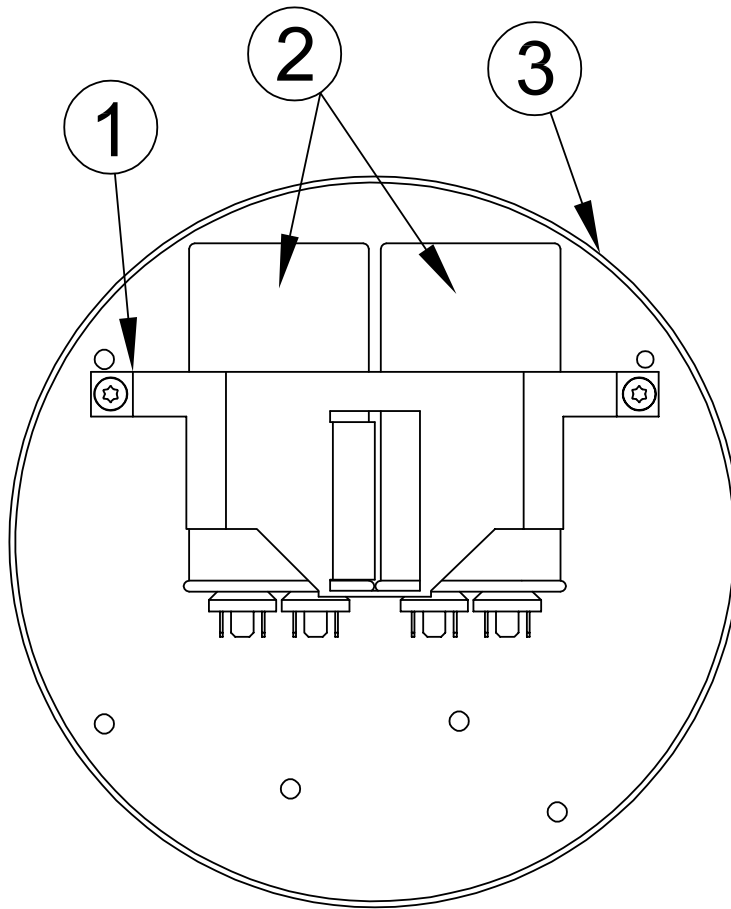
| REF # | PART NUMBER | QTY | DESCRIPTION |
|-------|-------------|-----|------------------------------|
| 1 | 93484-012 | 1 | Muffler Mounting Bracket |
| 2 | 350590-11 | 1 | Muffler |
| 3 | 93489-018 | 1 | Muffler Clamp |
| 4 | 16479-004 | 1 | Exhaust Manifold |
| 5 | 15687-013 | 1 | Heat Shield |
| 6 | 15687-015 | 1 | Heat Shield Mounting Bracket |

GENERATOR ASSEMBLY



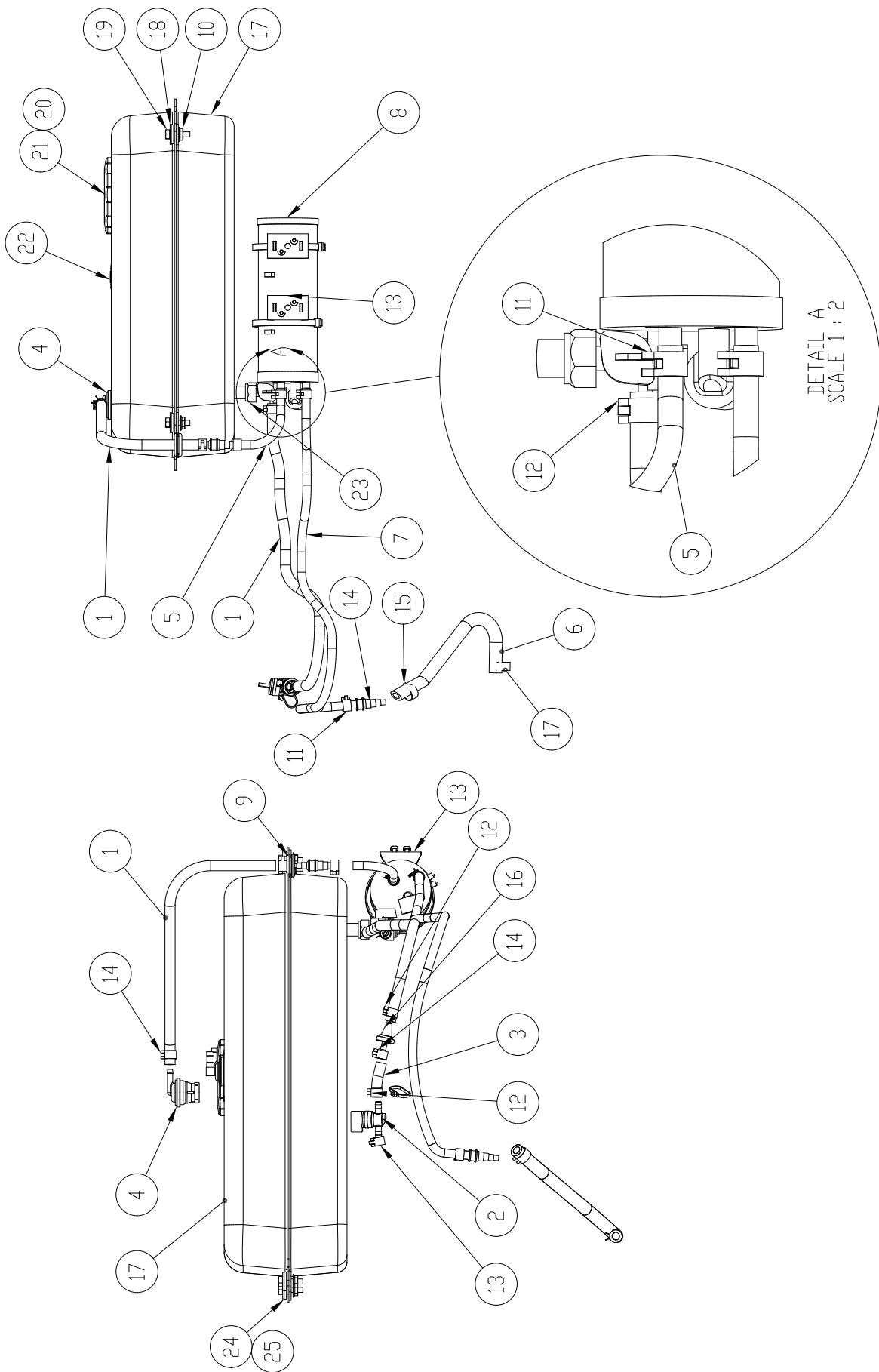
| REF # | PART NUMBER | QTY | DESCRIPTION |
|-------|-----------------|-----|--|
| 1 | 15086-000 | 1 | End Cover Assembly |
| 2 | 21975-000 | 4 | Lock Washer |
| 3 | 15013-000 | 4 | Screw |
| 4 | 15192-000 | 4 | 1/4-20 Nut |
| 5 | 479-000 | 4 | Lock Washer |
| 6 | 15068-008 | 4 | 1/4-20 Bolt / Stud |
| 7 | 15015-001 | 1 | End Bracket Assembly |
| 8 | 15091-005 | 1 | Stator Assembly |
| 9 | 15193-000 | 1 | 5/16-24 Nut |
| 10 | 23197-009 | 1 | 5/16-24 Bolt / Stud |
| 11 | 23558-000 | 1 | Washer |
| 12 | 91658-003 | 4 | Bolt |
| 13 | 481-000 | 4 | Lock Washer |
| 14 | 15008-001 | 1 | Engine Bracket |
| 15 | 15045-005 | 1 | Rotor Assembly |
| 16 | 480-001 | 1 | Lock Washer |
| NI | 15047-001 | 1 | Standard Polarity Diode |
| NI | 15047-002 | 1 | Reverse Polarity Diode |
| NI | 15122-000 | 1 | Tolerance Ring - this comes with end bracket |
| NI | 55223-000 | 1 | Bearing on Rotor Assy |
| NI | Not Illustrated | | |

END COVER ASSEMBLY



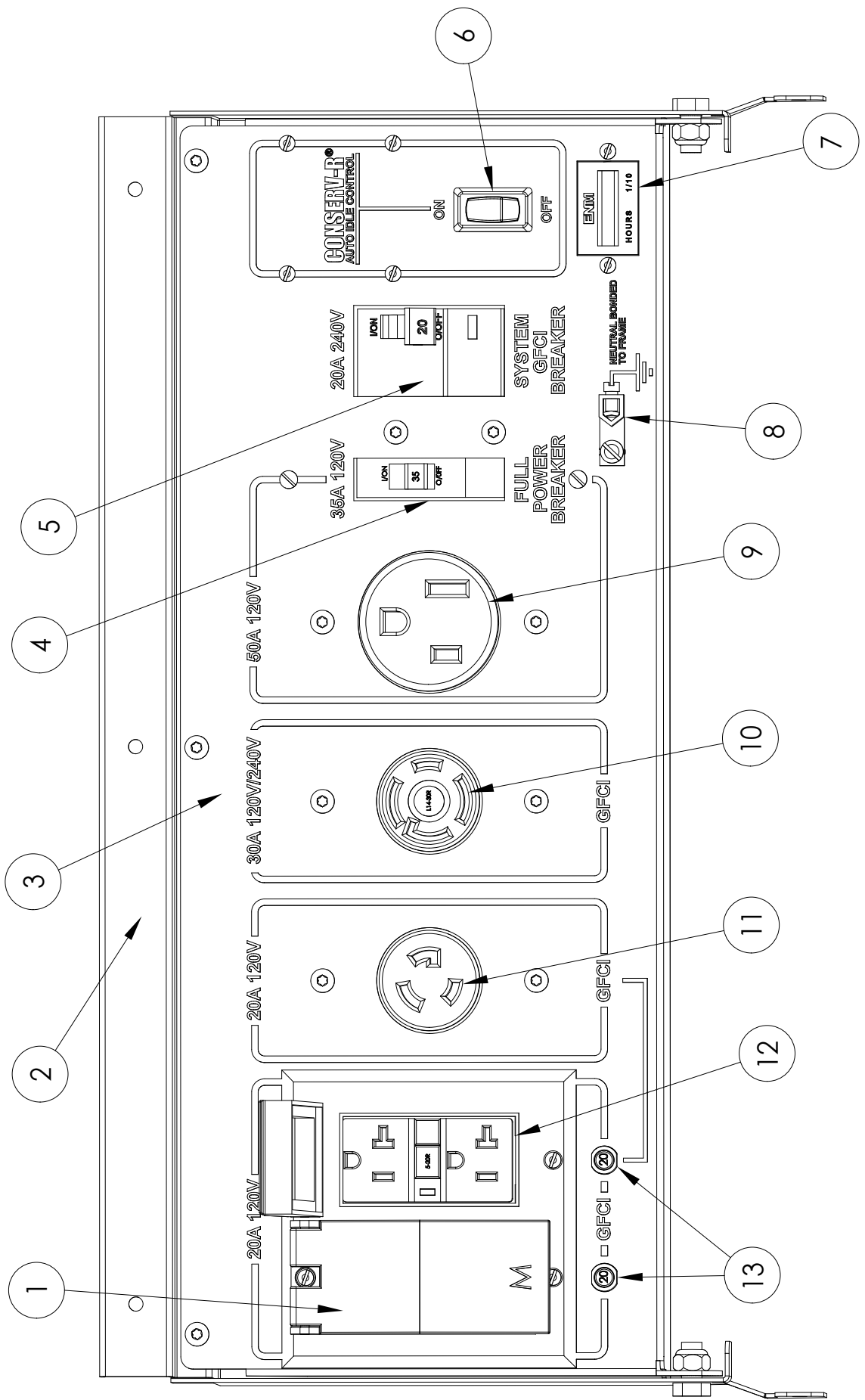
| REF # | PART NUMBER | QTY | DESCRIPTION |
|-------|-------------|-----|-----------------------|
| 1 | 15088-000 | 1 | Capacitor Strap |
| 2 | 15051-000 | 2 | 40mf 370VAC Capacitor |
| 3 | 15106-000 | 1 | End Cover |

FUEL SYSTEM ASSEMBLY

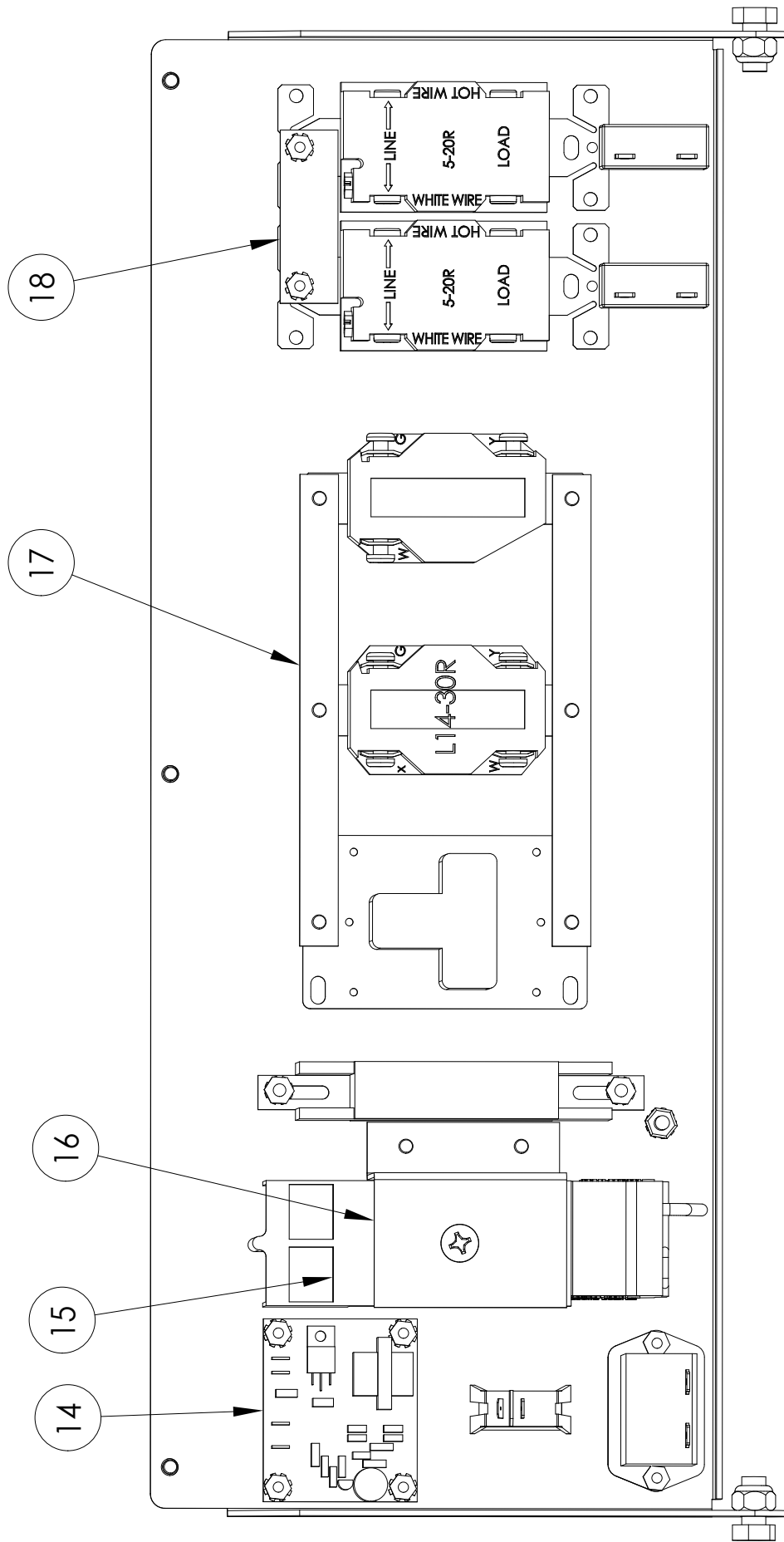


| REF # | PART NUMBER | QTY | DESCRIPTION |
|-------|-------------|-------|--------------------------|
| 1 | 40078-000 | 13" | 1/4" Fuel Hose |
| 2 | 98771-005 | 1 | Fuel Valve |
| 3 | 40078-000 | 2" | 1/4" Fuel Hose |
| 4 | 80903-002 | 1 | Slosh Valve |
| 5 | 40077-000 | 3" | 3/16" Fuel Hose |
| 6 | 55505-000 | 2.25" | 3/8" Fuel Hose |
| 7 | 40077-000 | 37" | 3/16" Fuel Hose |
| 8 | 80902-000 | 1 | Carbon Canister |
| 9 | 40730-000 | 1 | Grommet |
| 10 | 16248-000 | 4 | Flange Nut |
| 11 | 62999-005 | 5 | Hose Clamp .41 OD Green |
| 12 | 62999-001 | 6 | Hose Clamp .5 OD Red |
| 13 | 81902-000 | 2 | Mounting Bracket |
| 14 | 98590-003 | 2 | Hose Reducer |
| 15 | 62999-004 | 2 | Hose Clamp .69 OD |
| 16 | 62496-005 | 1 | Fuel Filter 40-70 Micron |
| 17 | 64024-013 | 1 | 7 Gallon Metal Fuel Tank |
| 18 | 267-002 | 4 | Flat Washer |
| 19 | 439-000 | 4 | 1/4-20 X 1 Bolt |
| 20 | 64024-401 | 1 | Sealed Fuel Cap |
| 21 | 64024-403 | 1 | Filter Inside Tank |
| 22 | 64024-402 | 1 | Fuel Gauge |
| 23 | 64024-404 | 1 | Fuel Tank Shut Off Valve |
| 24 | 64024-406 | 4 | Rubber Bushing |
| 25 | 64024-405 | 4 | Anti-Crush Insert |

RECEPTACLE PANEL ASSEMBLY



RECEPTACLE PANEL ASSEMBLY

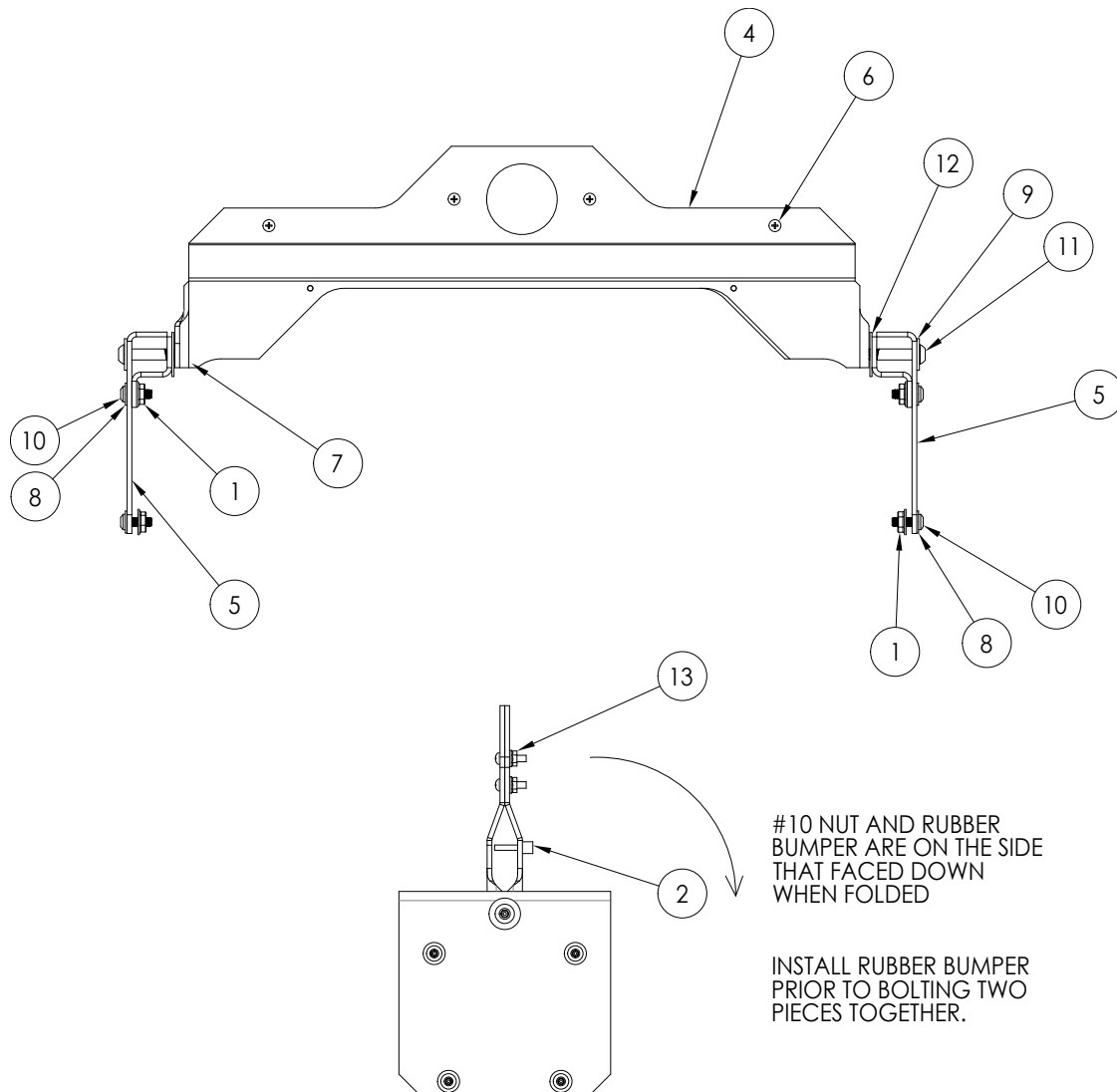


| REF # | PART NUMBER | QTY | DESCRIPTION |
|-------|-----------------|-----|----------------------------|
| 1 | 15620-007 | 1 | 2-Gang GFCI Cover |
| 2 | 15221-025S | 1 | Back Panel |
| 3 | 15458-027S | 1 | Front Panel |
| 4 | 91977-008 | 1 | 35A 1-Pole Circuit Breaker |
| 5 | 16488-017 | 1 | 20A 2-Pole GFCI Breaker |
| 6 | 64089-000 | 1 | SPST Rocker Switch |
| 7 | 58166-001 | 1 | Running Time Meter |
| 8 | 48042-001 | 1 | Ground Lug |
| 9 | 54545-000 | 1 | NEMA 5-50R Receptacle |
| 10 | 97360-000 | 1 | NEMA L14-30R Receptacle |
| 11 | 56279-000 | 1 | NEMA L5-20R Receptacle |
| 12 | 15147-003 | 2 | NEMA 5-20R GFCI Receptacle |
| 13 | 91286-001 | 2 | 20A 1-Pole Circuit Breaker |
| 14 | 300042 | 1 | Idle Control Module |
| 15 | 16489-001 | 1 | Modified Terminal Block |
| 16 | 16319-000 | 1 | Breaker Mounting Bracket |
| 17 | 64045-006 | 2 | 3-Hole Mounting Strap |
| 18 | 64045-041 | 1 | 2-Hole Mounting Strap |
| NI | 300108 | 1 | 10W 250 Ohm Resistor |
| NI | 62486-000 | 1 | Grommet |
| NI | Not Illustrated | | |

DECALS

| REF # | PART NUMBER | QTY | DESCRIPTION |
|-------|-------------------|-----|--------------------------|
| 1 | 15209-000 | 1 | Decal Set |
| 2 | 15209-001 | 1* | Gasoline Decal |
| 3 | 15209-002 | 1* | Danger CO2 Decal |
| 4 | 15209-003 | 1* | Electrical Shock Decal |
| 5 | 64918-000 | 2 | Danger Use Outside Decal |
| 6 | 63941-001 | 2 | Hot Surface Decal |
| 7 | 15209-013 | 1 | Fuel Type Decal |
| 8 | 15209-014 | 1 | Check Oil Decal |
| 9 | 63966-004 | 1 | Winco Nameplate |
| 10 | 15208-000 | 1 | Tank Permeation Decal |
| * | Part of 15209-000 | | |

LIFTING EYE ASSEMBLY



#10 NUT AND RUBBER BUMPER ARE ON THE SIDE THAT FACED DOWN WHEN FOLDED

INSTALL RUBBER BUMPER PRIOR TO BOLTING TWO PIECES TOGETHER.

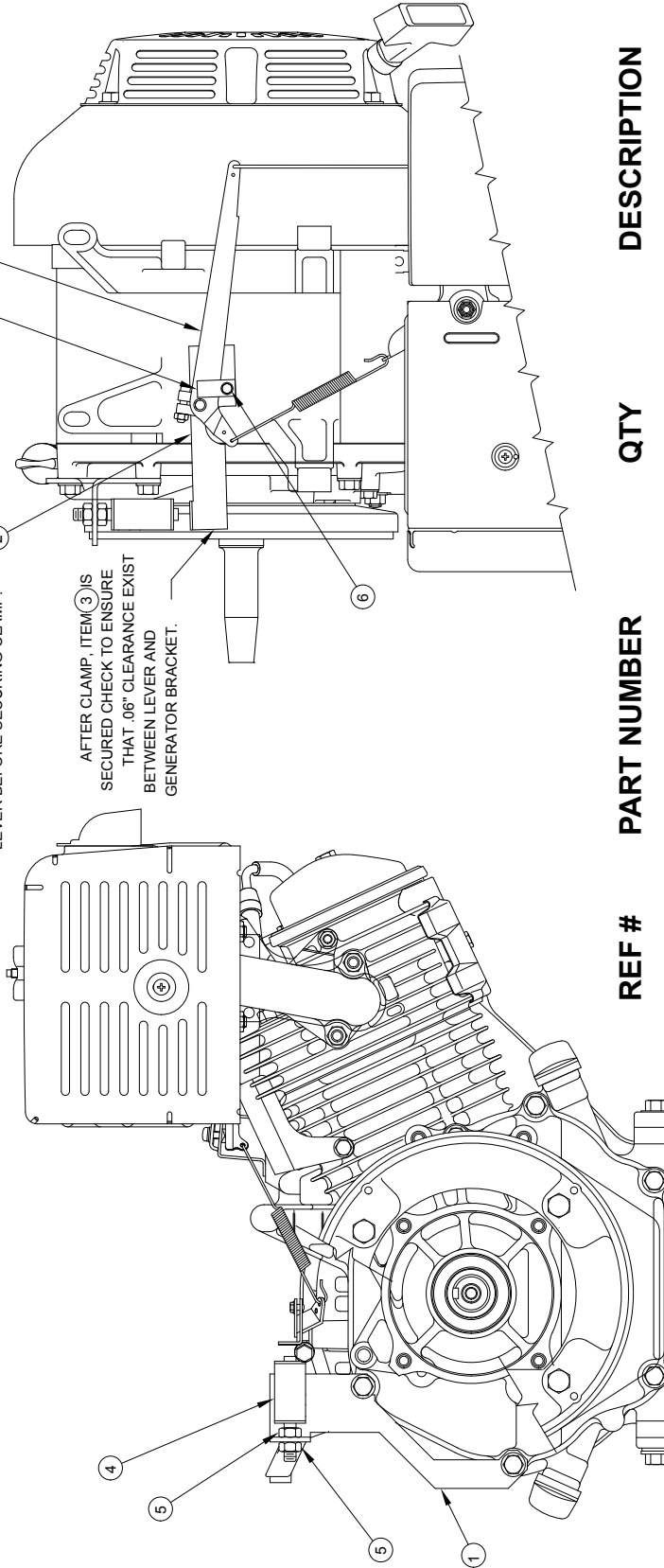
| REF # | PART NUMBER | QTY | DESCRIPTION |
|-------|-------------|-----|------------------------------|
| 1 | 16248-000 | 8 | .25-20 Flange Nut |
| 2 | 20952-001 | 2 | Rubber Bumper |
| 3 | 300148-11 | 2 | Inside Bracket |
| 4 | 300148-12 | 2 | Lifting Eye |
| 5 | 300149-10 | 2 | Lifting Eye Support |
| 6 | 420-001 | 4 | 10-24 X 3/4 Phillips Screw |
| 7 | 47136-000 | 2 | 5/16-18 Nylock Hex Nut |
| 8 | 512-000 | 8 | .25 Washer |
| 9 | 526-000 | 2 | Washer |
| 10 | 64858-001 | 8 | 3/4" Button Head Cap Screw |
| 11 | 64858-006 | 2 | 2 1/4" Button Head Cap Screw |
| 12 | 96286-007 | 2 | Nylon Flat Washer |
| 13 | 99671-000 | 4 | 10-24 Hex Nut |

ENGINE IDLE CONTROL (CONSERVER) ASSEMBLY

REMOVE GOVERNOR ARM AND REPLACE AFTER INSTALLATION OF ITEM(4) ROTATION OF SHAFT AND ARM TO STOP AT DIRECTION OF SPRING PULL BEFORE TIGHTENING GOVERNOR SHAFT CLAMP.

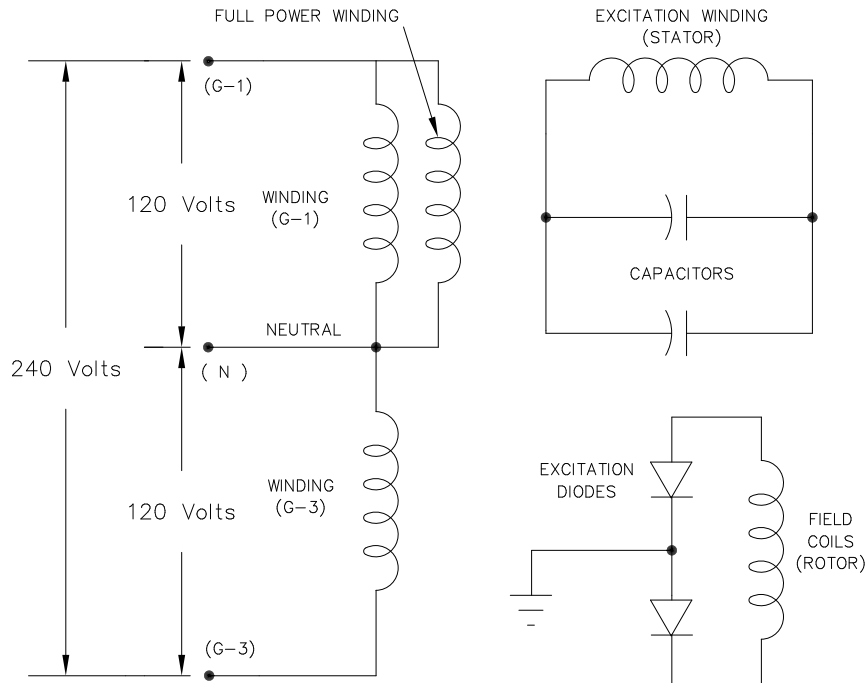
ALIGN HOLES IN GOVERNOR LEVER WITH LARGE HOLE IN CONSERVER LEVER BEFORE SECURING CLAMP.

AFTER CLAMP, ITEM(3) IS SECURED CHECK TO ENSURE THAT .06" CLEARANCE EXIST BETWEEN LEVER AND GENERATOR BRACKET.



| REF # | PART NUMBER | QTY | DESCRIPTION |
|-------|-------------|-----|----------------------------|
| 1 | 15416-000 | 1 | Conserver Mounting Bracket |
| 2 | 15415-000 | 1 | Conserver Lever |
| 3 | 62309-000 | 1 | Clamp |
| 4 | 15182-000 | 1 | Conserver Electro-Magnet |
| 5 | 44894-000 | 2 | 5/16-24 Hex Jam Nut |
| 6 | 55556-000 | 1 | Self Tapping Screw |

AC SCHEMATIC



GENERATOR SPECIFICATIONS:

| | |
|---------------|-----------|
| G1 to Neutral | 0.18 Ohms |
| G3 to Neutral | 0.36 Ohms |
| “Q” Winding | 0.55 Ohms |
| Rotor | 1.0 Ohms |

| | |
|-------------------|-------------|
| Winding Spec. | SS1531 |
| AC Connection | AC367 |
| AC Residual Volts | 7.0 VAC L-L |

WIRING DIAGRAM

