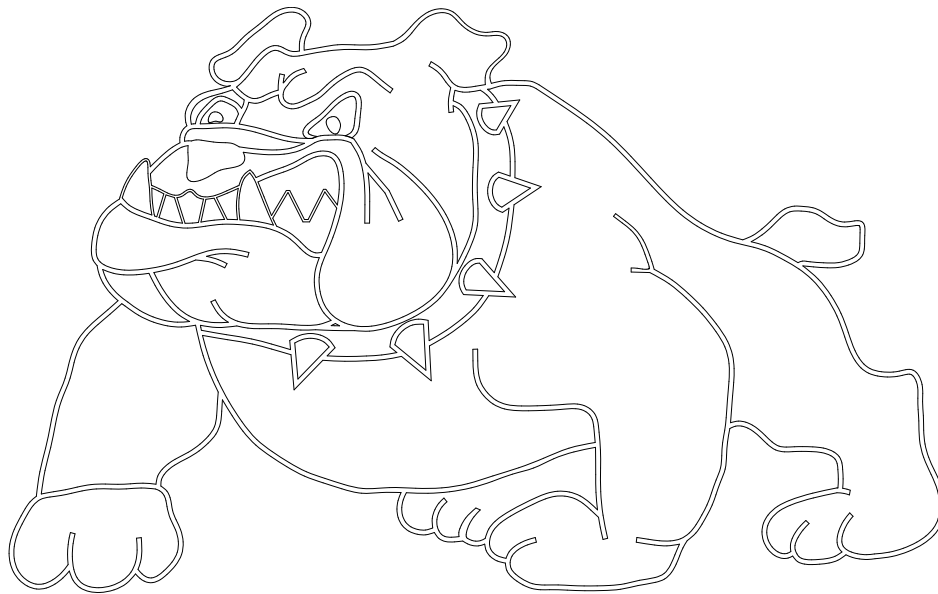


# **WINCO<sup>®</sup> INC**

## **ILLUSTRATED PARTS LIST**

### **WL18000VE/M**

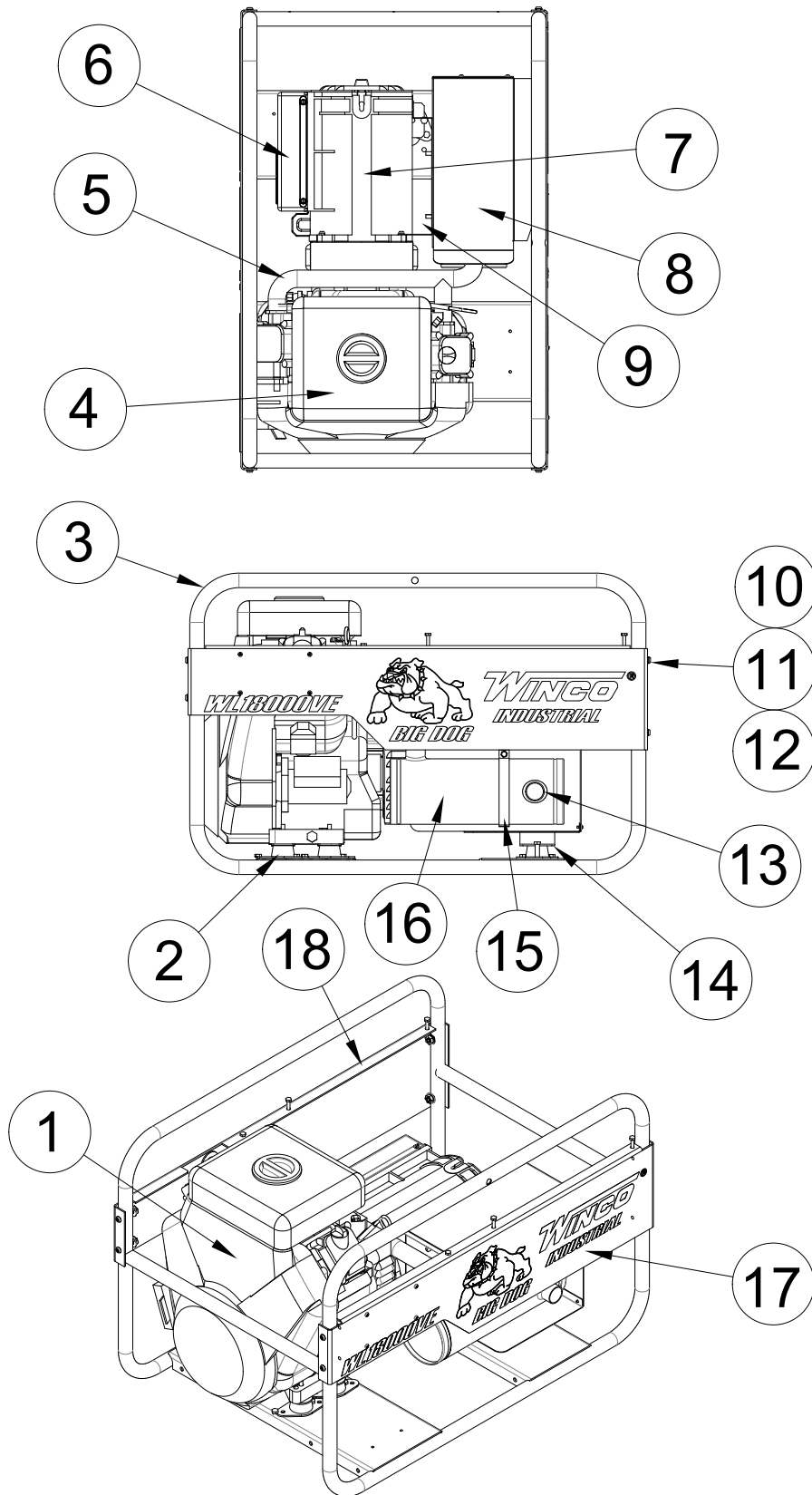
### **WL18000VE/N**



## **BIG DOG**

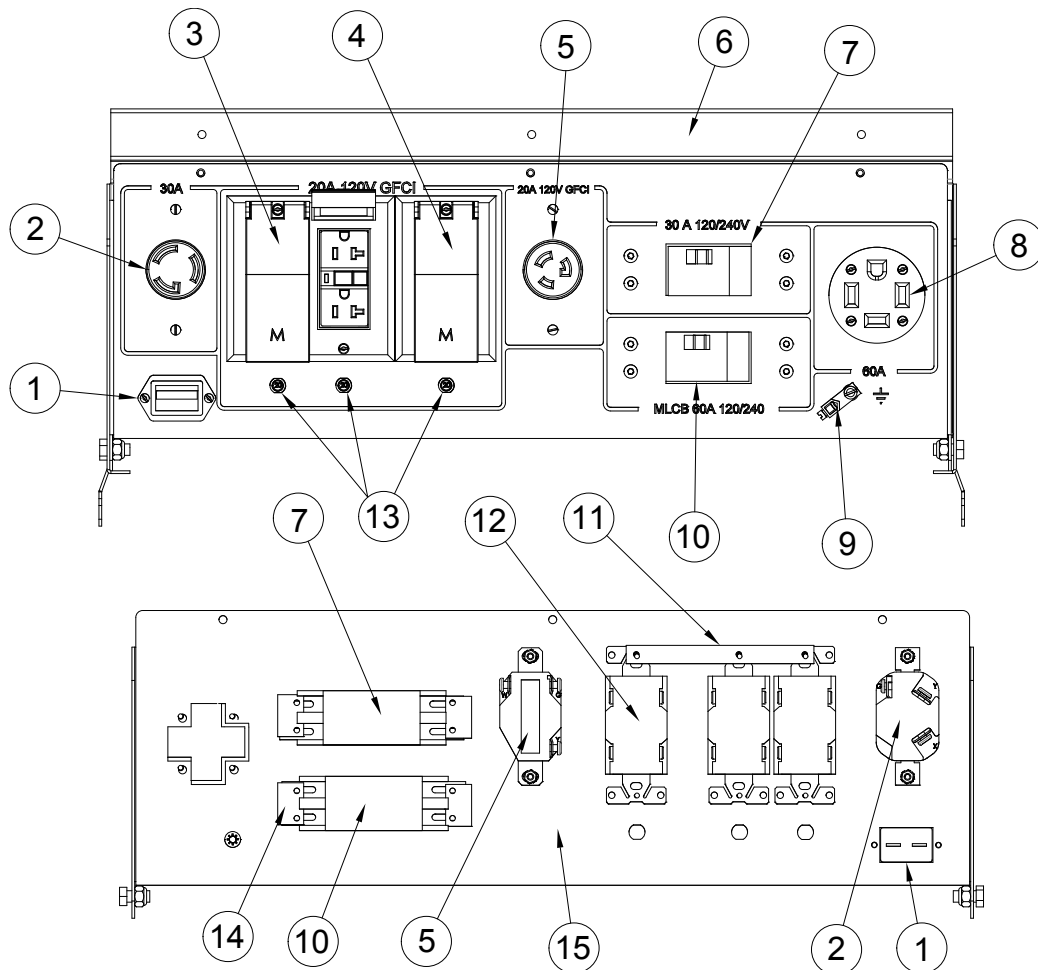
**WINCO INC.  
225 S. CORDOVA AVE.  
LE CENTER, MN 56057  
(507) 357-6821  
SERVICE DEPT.  
(507) 357-6831  
wincogen.com**

# ENGINE / GENERATOR ASSEMBLY



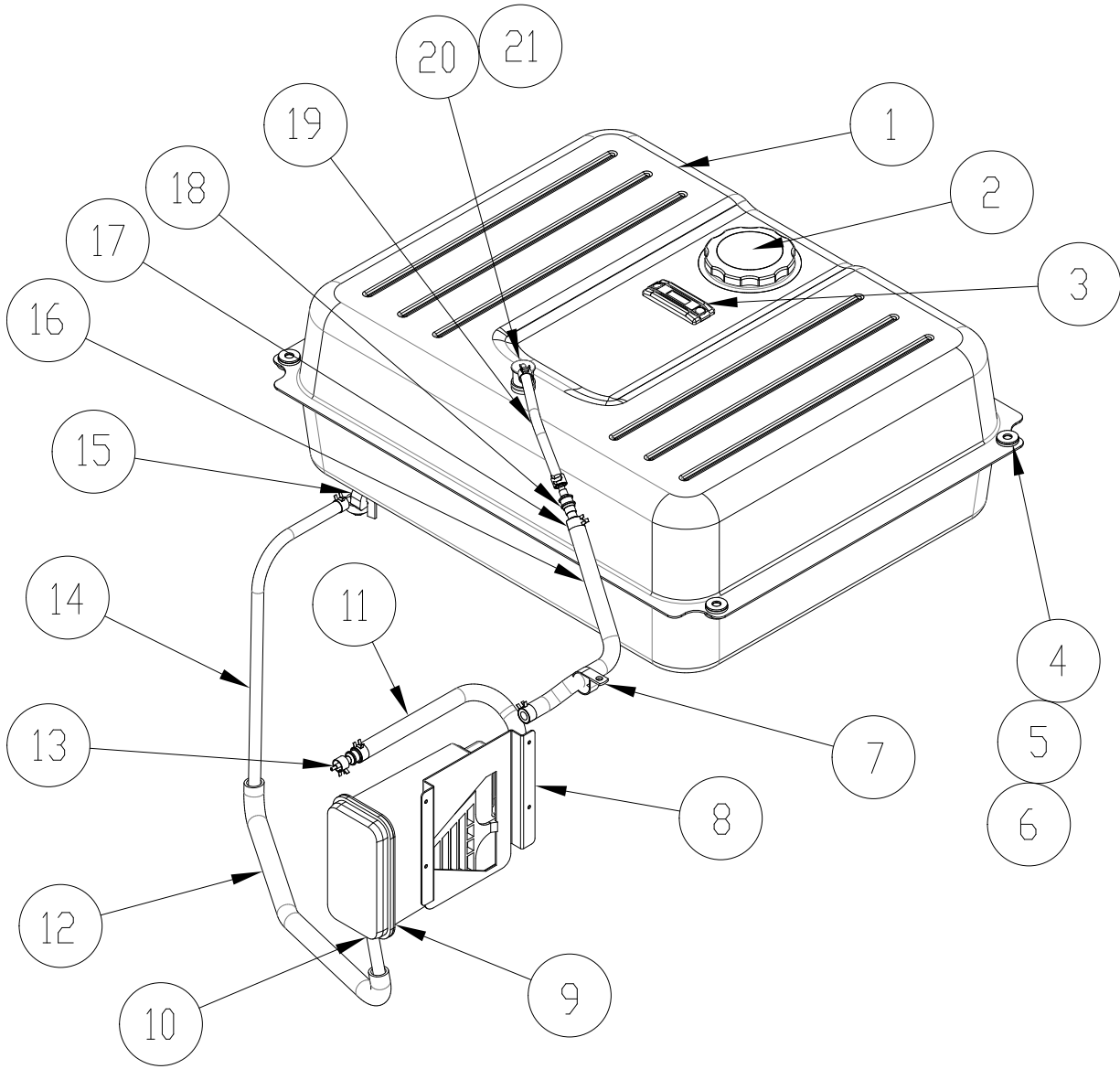
REF #	PART NUMBER	QTY	DESCRIPTION
1	16427-006	1	Engine, Briggs & Stratton Model: 543477-0002-G1
2	98807-000	6	Shock Mount
3	63073-045	1	Cradle
4	692519	1*	Air Filter
4	692520	1*	Air Filter Pre-Cleaner
5	16479-006	1	Exhaust Manifold
6	300323-112	1	31.5 mf Capacitor
6	300323-212	2	35 mf Capacitor
7	16428-002	1	Generator, Mecc Alte Spa Model: S20F-230/A
8	15687-025	1	Muffler Heat Shield
9	15687-017	1	Muffler Bracket
10	64858-009	8	3/8"-16 X 2" Button Head Screw
11	526-000	8	Washer
12	16250-000	15	3/8"-16 Flange Nut
13	16237-004	1	Spark Arrestor
14	16335-012	1	Generator Support Bracket
15	93484-013	1	Muffler Mounting Bracket
16	350590-13	1	Muffler
17	300217-8	1	Right Side Rail
18	300216-18	1	Left Side Rail
NI	15144-014	1	Engine Baffle
NI	300143-2	1	Battery Hold Down Kit
NI	93489-015	1	Muffler Clamp
NI	491055	2*	Spark Plug
NI	842921	1*	Oil Filter
NI	15462-044	1	Fuel Tank Tray
NI	24018-100	1	Keys for Engine (set of two)
NI	300349	1	Oil Drain Valve
NI	300349-1	1	Oil Drain Valve Adapter
*	Briggs & Stratton #		
NI	Not Illustrated		

# RECEPTACLE PANEL ASSEMBLY



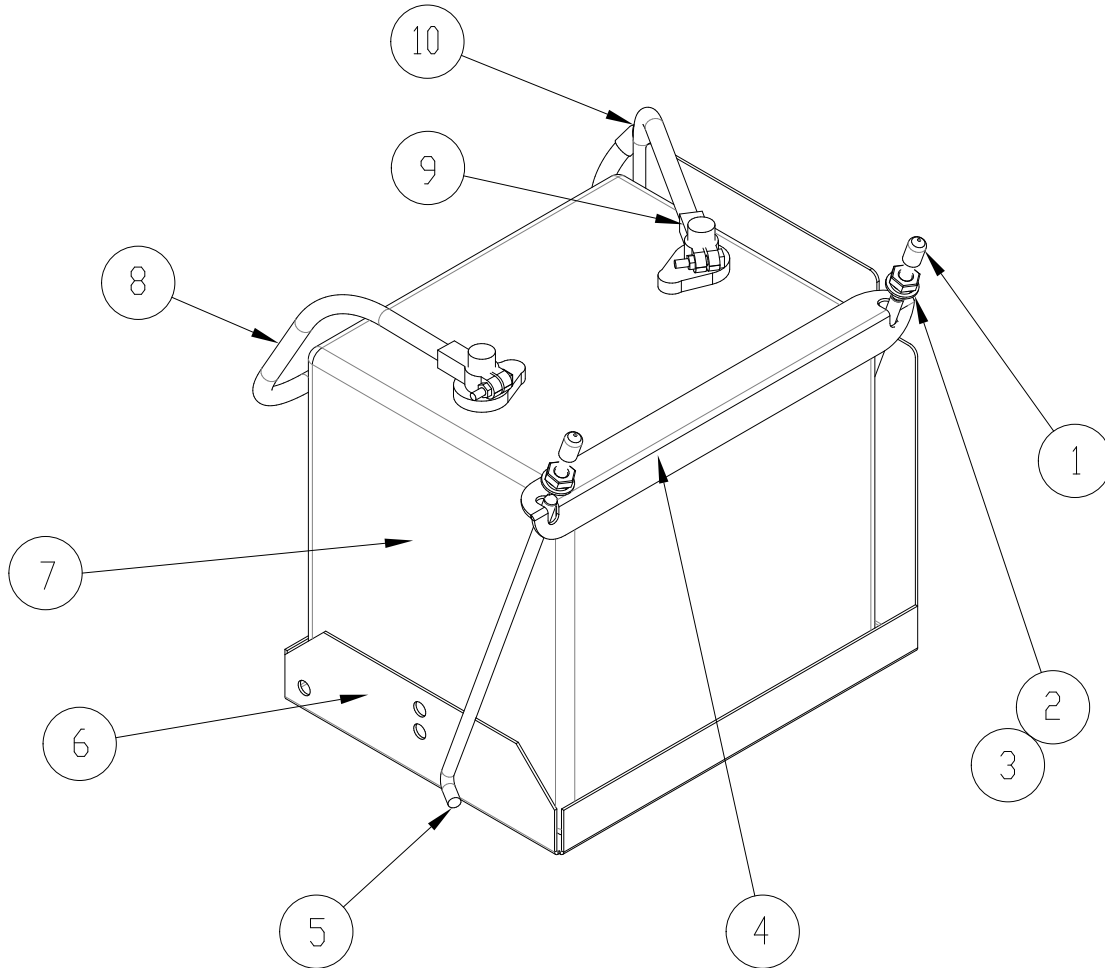
REF #	PART NUMBER	QTY	DESCRIPTION
1	58166-001	1	Running Time Meter
2	57324-000	1	NEMA L6-30R Receptacle
3	15620-007	1	2-Gang GFCI Cover
4	15620-006	1	Single Gang GFCI Cover
5	56279-000	1	NEMA L5-20R Receptacle
6	15221-033	1	Receptacle Box
7	57030-002	1	30 Amp 2-Pole Circuit Breaker
8	300136	1	NEMA 14-60R Receptacle
9	48042-001	1	Ground Lug
10	57030-005	1	60 Amp 2-Pole Circuit Breaker
11	64045-043	1	3 Hole Mounting Strap
12	15147-001	3	NEMA 5-20R GFCI Receptacle
13	91286-001	3	20 Amp 1-Pole Circuit Breaker
14	64045-032	4	Mounting Strap
15	15458-029	1	Receptacle Front Panel
NI	62486-000	1	Grommet
NI	Not Illustrated		

# FUEL SYSTEM ASSEMBLY



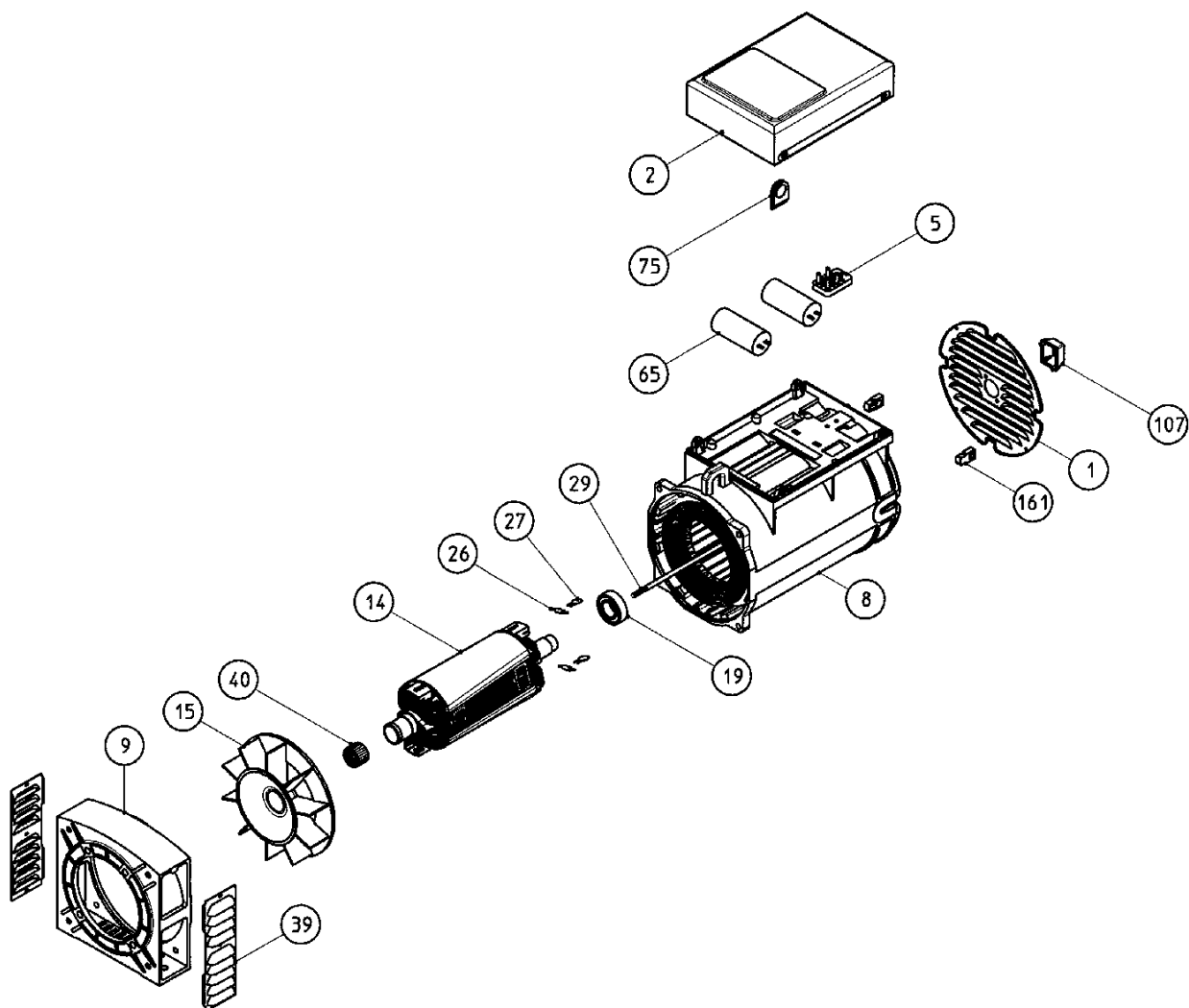
REF #	PART NUMBER	QTY	DESCRIPTION
1	64024-014	1*	15 Gallon Steel Fuel Tank
*	Slosh valve with grommet (80903-002) is used with this fuel tank.		
2	64024-401	1	Sealed Fuel Cap
3	64024-407	1	Fuel Gauge
4	64024-406	4	Rubber Bushing
5	64024-405	4	Anti-Crash Insert
6	526-000	4	Washer
7	97391-003	2	15/16" Tube Clamp
8	81900-005	3	Carbon Canister Bracket
9	80900-000	1	Carbon Canister
10	62999-001	2	.5 OD Red Hose Clamp
11	55505-000	12"	3/8" Fuel Hose
12	62487-003	18"	Loom
13	62999-005	3	.41 OD Green Hose Clamp
14	40078-000	36"	1/4" Fuel Hose
15	64024-404	1	Shut-Off Valve
16	55505-000	11.5"	3/8" Fuel Hose
17	62999-004	4	.69 OD Hose Clamp
18	98590-003	1	Hose Reducer
19	40077-000	6"	3/16" Fuel Hose
20	80903-000	1	Slosh Valve (WL18000VE/M & WL18000VE/N Rev A)
20	80903-002	1	Slosh Valve with Grommet (WL18000VE/N Rev B,C,D)
21	80903-001	1	Grommet (WL18000VE/M & WL18000VE/N Rev A)
NI	64024-403	1	Fuel Filter in Tank
NI	15462-044	1	Fuel Tank Tray
NI	Not Illustrated		

# BATTERY HOLD DOWN KIT (300143-2)



REF #	PART NUMBER	QTY	DESCRIPTION
1	64278-000	2	Thread Protector
2	16428-000	2	1/4"-20 Flange Nut
3	512-000	2	Washer
4	64167-002	1	Hold Down
5	64240-001	2	Hold Down Rod
6	15676-014	1	Battery Tray
7	Reference	1*	12 VDC Battery, BCI Group Size 26, rated at 500 CCA
8	22097-015	1	Battery Negative (-) Cable
9	95901-002	1	Battery Terminal Boot
10	22097-016	1	Battery Positive (+) Cable
*	Not Included in Kit		

# GENERATOR END



REF #	PART NUMBER	QTY	DESCRIPTION
	16428-002	1	Complete Generator Assembly
19	54665-000	1	Bearing
26	300323-207	2	Diode
27	300323-208	2	Varistor
65	300323-112	1	31.5 $\mu$ 425VAC Capacitor
65	300323-212	2	35 $\mu$ 425VAC Capacitor

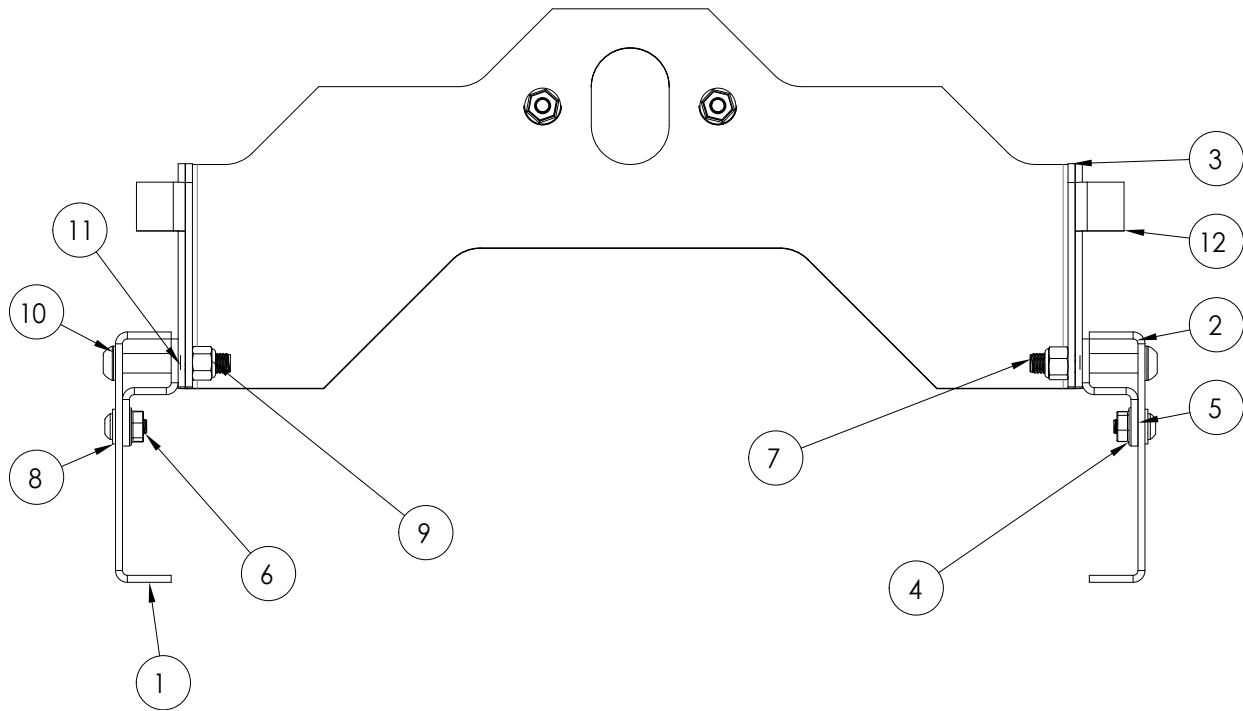
Individual parts not listed here may be obtained from Magil Corp. (847) 550-0530. Winco Inc. sells the complete generator end or the individual parts listed above.

## RESISTANCE VALUES:

**STATOR:** 0.056 OHMS  
**ROTOR:** 8.04 OHMS  
**CAP LEADS:** 0.41 OHMS



# LIFTING EYE ASSEMBLY

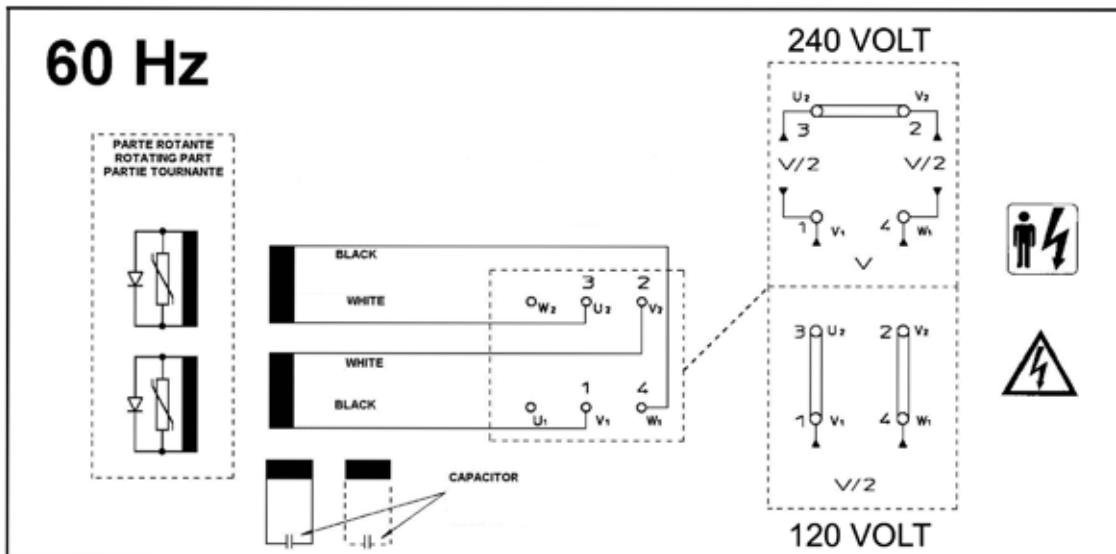


REF #	PART NUMBER	QTY	DESCRIPTION
1	300149-7	1	Right Lifting Eye Support
2	300149-8	1	Left Lifting Eye Support
3	300148-9	1	Lifting Eye Inside
4	16250-000	10	Flange Nut
5	300147-5	2	Lifting Eye Support
6	64858-010	10	3/8-16 X 7/8 Button Head Screw
7	64858-008	2	1/2-13 X 3 Button Head Screw
8	526-000	10	Washer
9	92242-000	2	Nylock Hex Nut
10	21867-001	2	Flat Washer
11	96286-008	2	Nylon Flat Washer
12	300148-13	1	Lifting Eye Outside

# DECALS

REF #	PART NUMBER	QTY	DESCRIPTION
1	15209-014	1	Check Oil Decal
2	15209-013	1	Fuel Type Gasoline Decal
3	63941-001	1	Hot Surfaces Decal
4	64918-000	2	CO Danger Decal
5	15209-003	1	Electrical Shock Decal
6	15209-002	1	Carbon Monoxide Decal
7	15209-000	1	Decal Set
8	63966-004	1	Portable Nameplate

# GENERATOR END SCHEMATIC



# WIRING DIAGRAM

