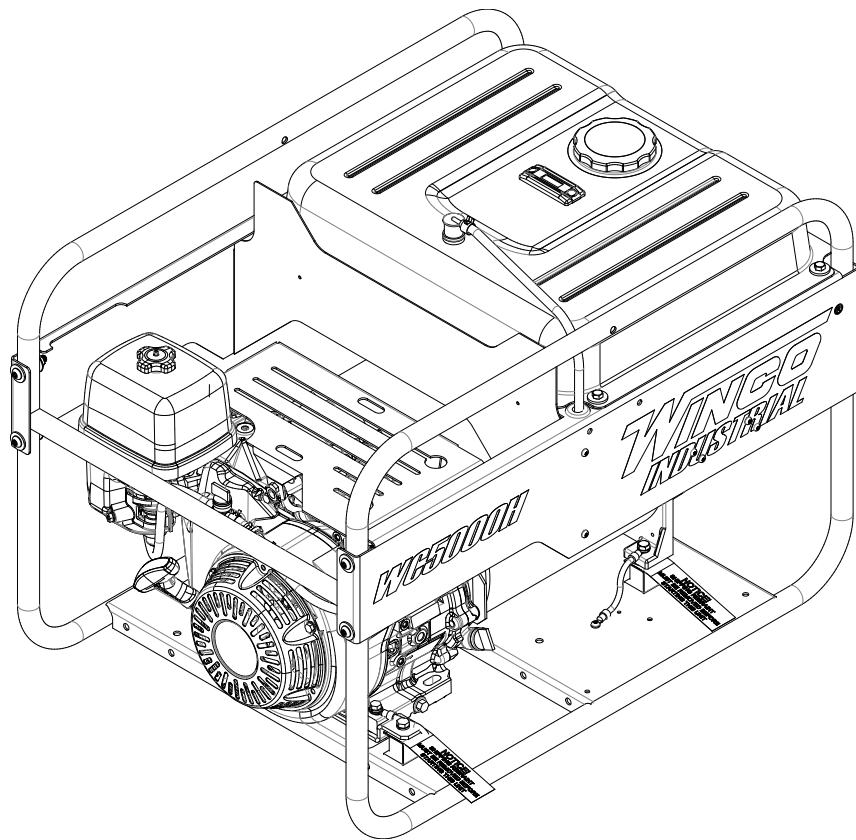


WINCO INC[®]

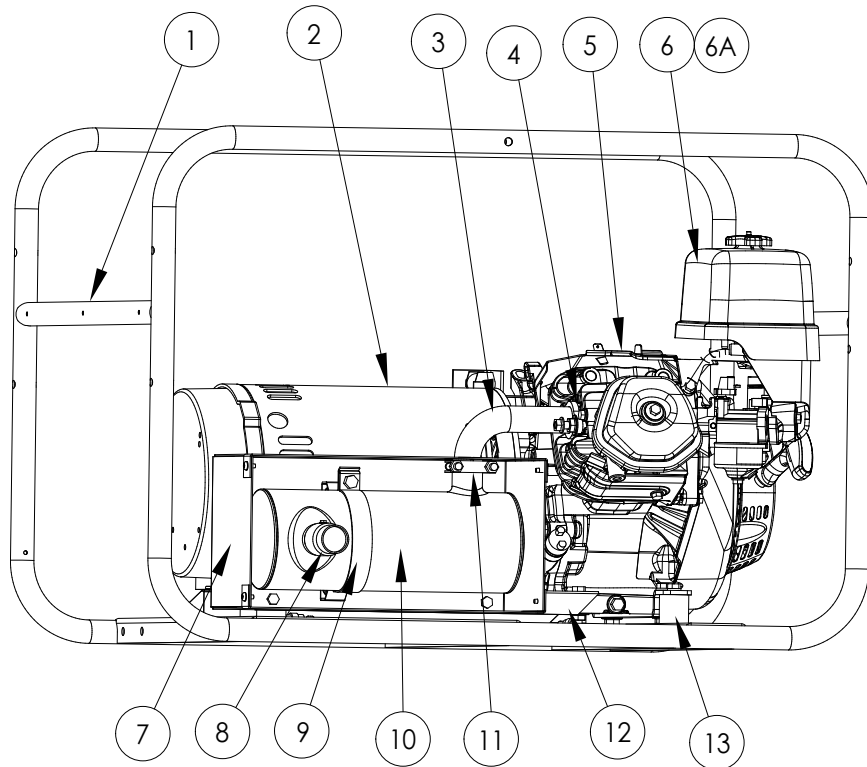
ILLUSTRATED PARTS LIST

WC5000H/D



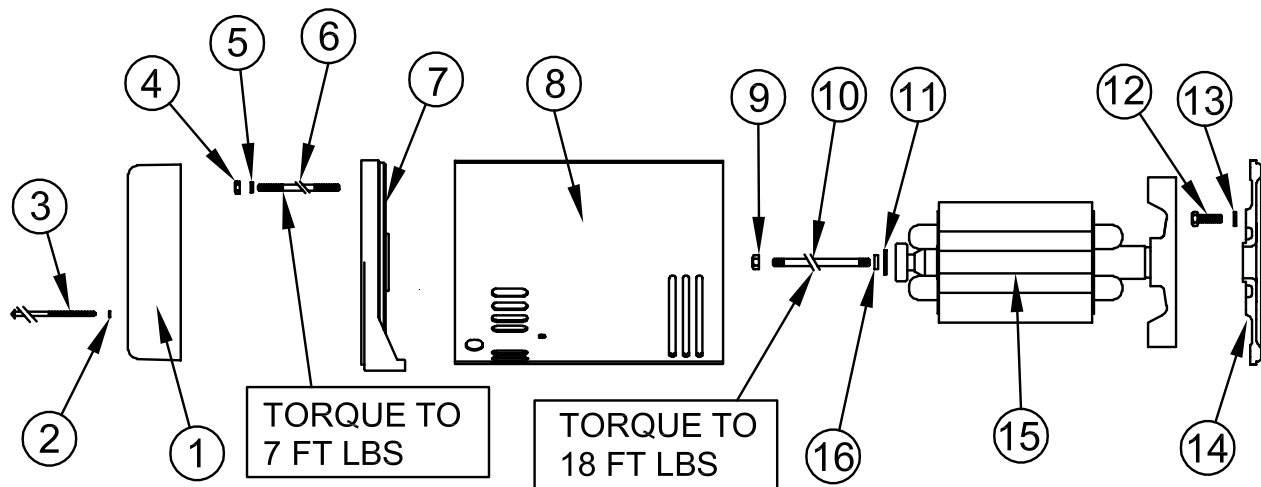
**WINCO INC.
225 S. CORDOVA AVE.
LE CENTER, MN 56057
(507) 357-6821
SERVICE DEPT.
(507) 357-6831
wincogen.com**

ENGINE / GENERATOR ASSEMBLY



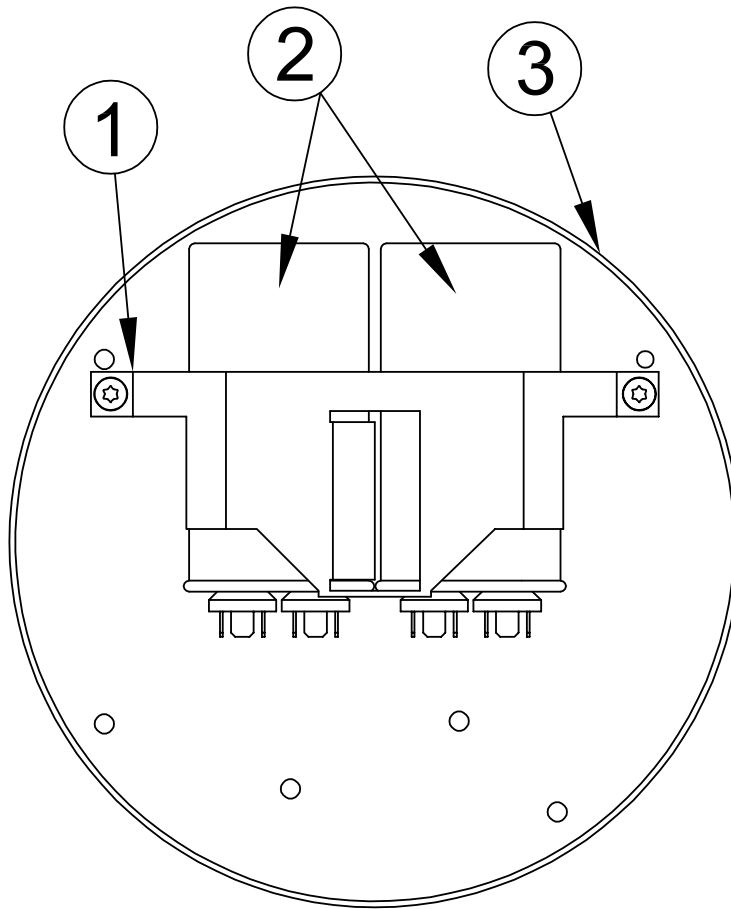
| REF # | PART NUMBER | QTY | DESCRIPTION |
|-------|-----------------|-----------|--|
| 1 | 63073-043 | 1 | Cradle |
| 2 | 15041-005 | Reference | Generator Assembly |
| 3 | 16479-004 | 1 | Exhaust Manifold |
| 4 | 18333-Z1C-801 | 1* | Manifold Gasket |
| 5 | 15542-001 | 1 | Engine, Honda GX270RT2VNT2 Code: GCBGT |
| 6 | 17210-ZE2-822 | 1* | Air Filter |
| 6A | 17218-ZE2-821 | 1* | Outer Filter |
| 7 | 15687-013 | 1 | Heat Shield |
| 8 | 15769-002 | 1 | Spark Arrestor |
| 9 | 93484-012 | 1 | Muffler Mounting Bracket |
| 10 | 350590-11 | 1 | Muffler |
| 11 | 93489-018 | 1 | Muffler Clamp |
| 12 | 15687-015 | 1 | Support Bracket |
| 13 | 64062-000 | 4 | Shock Mount |
| NI | 15929-004 | 1 | Engine Shock Mount Adapter |
| NI | BPR6ES | 1** | NGK Spark Plug |
| NI | Not Illustrated | | |
| * | Honda Part # | | |
| ** | NGK Part # | | |

GENERATOR ASSEMBLY



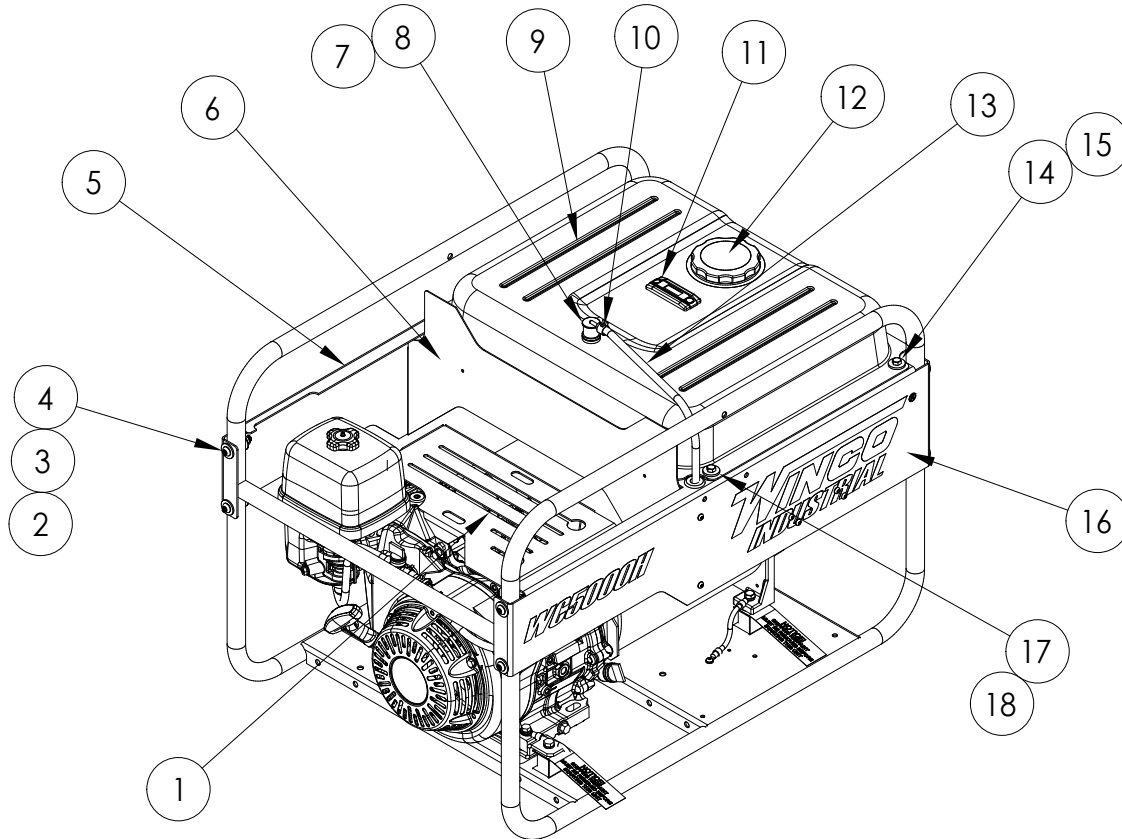
| REF # | PART NUMBER | QTY | DESCRIPTION |
|-------|-----------------|-----|--|
| 1 | 15086-000 | 1 | End Cover Assembly |
| 2 | 21975-000 | 4 | Lock Washer |
| 3 | 15013-000 | 4 | Screw |
| 4 | 15192-000 | 4 | 1/4-20 Nut |
| 5 | 479-000 | 4 | Lock Washer |
| 6 | 15068-008 | 4 | 1/4-20 Bolt / Stud |
| 7 | 15015-001 | 1 | End Bracket Assembly |
| 8 | 15091-005 | 1 | Stator Assembly |
| 9 | 15193-000 | 1 | 5/16-24 Nut |
| 10 | 23197-009 | 1 | 5/16-24 Bolt / Stud |
| 11 | 23558-000 | 1 | Washer |
| 12 | 91658-003 | 4 | Bolt |
| 13 | 481-000 | 4 | Lock Washer |
| 14 | 15008-001 | 1 | Engine Bracket |
| 15 | 15045-005 | 1 | Rotor Assembly |
| 16 | 480-001 | 1 | Lock Washer |
| NI | 15047-001 | 1 | Standard Polarity Diode |
| NI | 15047-002 | 1 | Reverse Polarity Diode |
| NI | 15122-000 | 1 | Tolerance Ring - this comes with end bracket |
| NI | 55223-000 | 1 | Bearing on Rotor Assy |
| NI | Not Illustrated | | |

END COVER ASSEMBLY



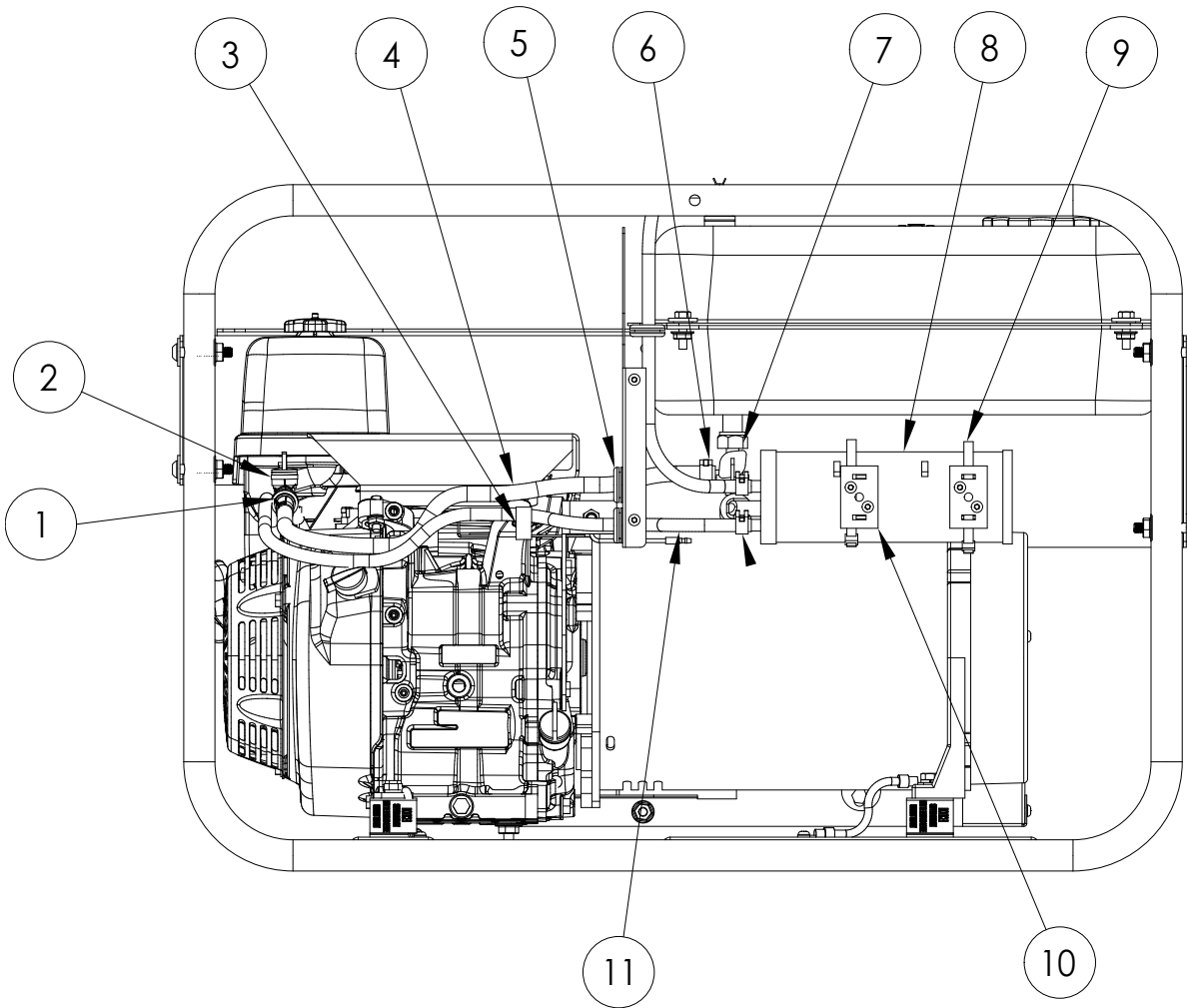
| REF # | PART NUMBER | QTY | DESCRIPTION |
|-------|-------------|-----|-----------------------|
| 1 | 15088-000 | 1 | Capacitor Strap |
| 2 | 15051-000 | 2 | 40mf 370VAC Capacitor |
| 3 | 15106-000 | 1 | End Cover |

FUEL SYSTEM ASSEMBLY



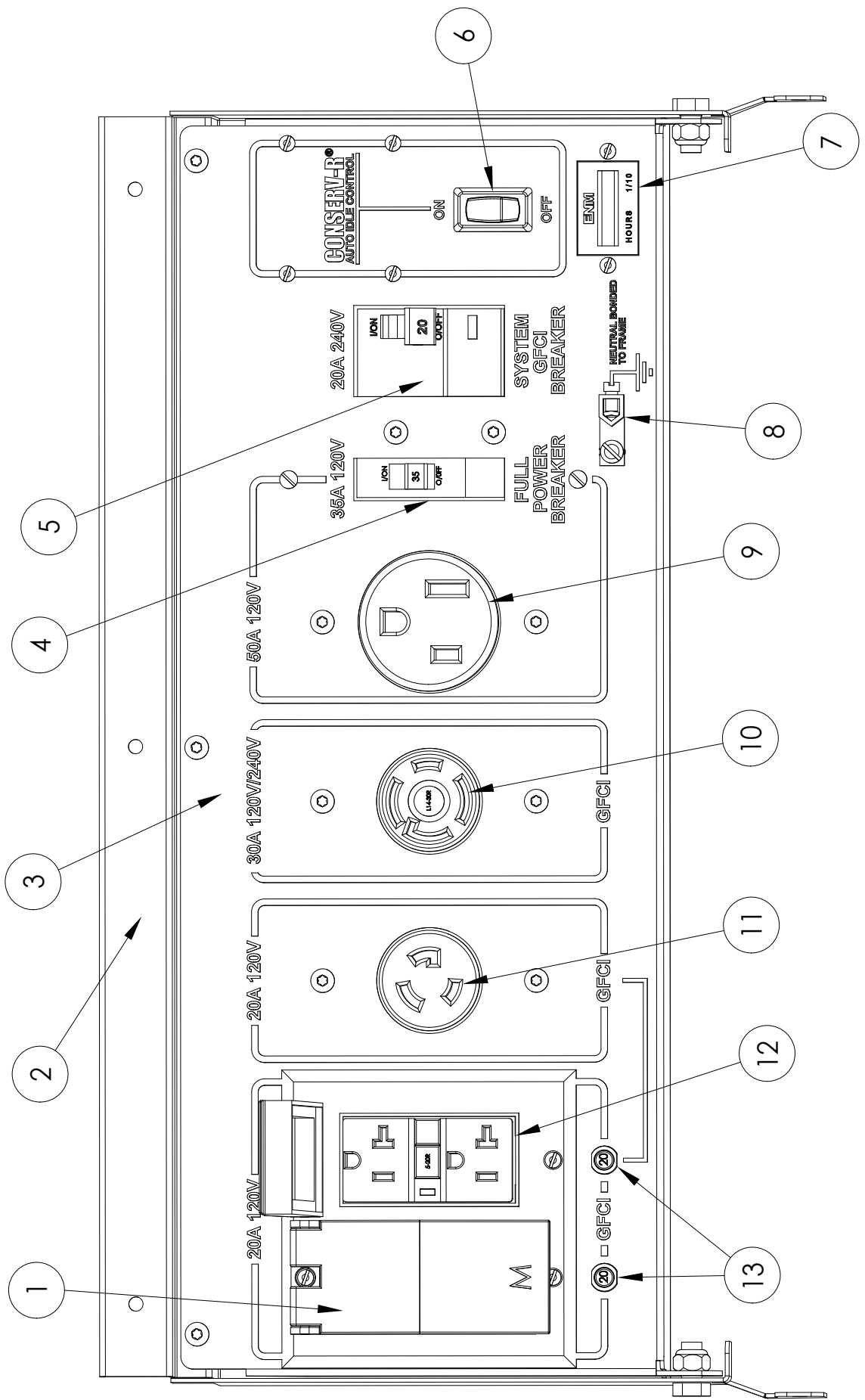
| REF # | PART NUMBER | QTY | DESCRIPTION |
|-------|---|-----|---------------------------------------|
| 1 | 15679-008S | 1 | Governor Cover |
| 2 | 16249-000 | 8 | 5/16"-18 Flange Nut |
| 3 | 526-000 | 8 | Washer |
| 4 | 64858-004 | 8 | Button Head Screw |
| 5 | 300217-3SWC5H | 1 | Right Side Rail |
| 6 | 15464-017 | 1 | Generator Divider |
| 7 | 80903-000 | 1 | Slosh Valve (revision B) |
| 7 | 80903-002 | 1 | Slosh Valve with Grommet (revision C) |
| 8 | 80903-001 | 1 | Grommet (revision B) |
| 9 | 64024-013 | 1* | 7 Gallon Steel Fuel Tank |
| * | Slosh valve with grommet (80903-002) is used with this fuel tank. | | |
| 10 | 62999-005 | 4 | .41 OD Green Hose Clamp |
| 11 | 64024-402 | 1 | Fuel Level Gauge |
| 12 | 64024-401 | 1 | Sealed Fuel Cap |
| 13 | 40077-000 | 20" | 3/16" Fuel Hose |
| 14 | 16428-000 | 8 | 1/4"-20 Flange Nut |
| 15 | 439-000 | 4 | 1/4"-20 X 1" Bolt |
| 16 | 300216-3SWC5H | 1 | Left Side Rail |
| 17 | 64024-406 | 4 | Rubber Bushing |
| 18 | 64024-405 | 4 | Anti-Crash Insert |
| NI | 64024-403 | 1 | Fuel Filter in Tank |
| NI | Not Illustrated | | |

FUEL SYSTEM ASSEMBLY

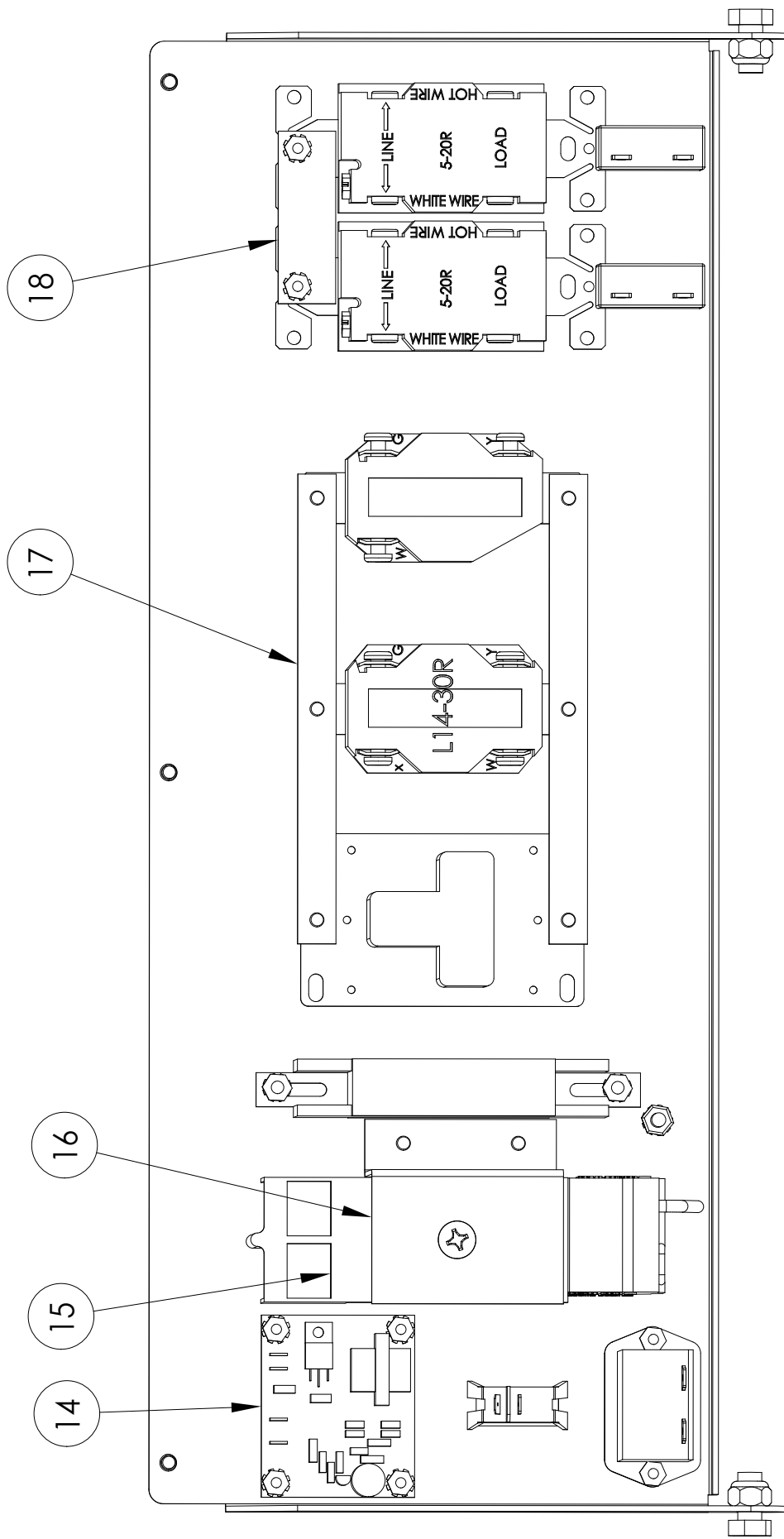


| REF # | PART NUMBER | QTY | DESCRIPTION |
|-------|-----------------|-----|--------------------------|
| 1 | 62496-005 | 1 | 40-70 Micron Cone Filter |
| 2 | 98771-005 | 1 | Shut-Off Valve |
| 3 | 97391-003 | 1 | 15/16" Tube Clamp |
| 4 | 40078-000 | 17" | 1/4" Fuel Hose |
| 5 | 40730-000 | 3 | Grommet |
| 6 | 62999-001 | 4 | .5 OD Red Hose Clamp |
| 7 | 64024-404 | 1 | Fuel Tank Shut-Off Valve |
| 8 | 80902-000 | 1 | Carbon Canister |
| 9 | 49975-013 | 2 | Cable Tie |
| 10 | 81902-000 | 2 | Mounting Bracket |
| 11 | 40077-000 | 38" | 3/16" Fuel Hose |
| NI | 21698-001 | 8 | Torx Screw |
| NI | 81018-009 | 1 | Hose Clamp |
| NI | Not Illustrated | | |

RECEPTACLE PANEL ASSEMBLY



RECEPTACLE PANEL ASSEMBLY

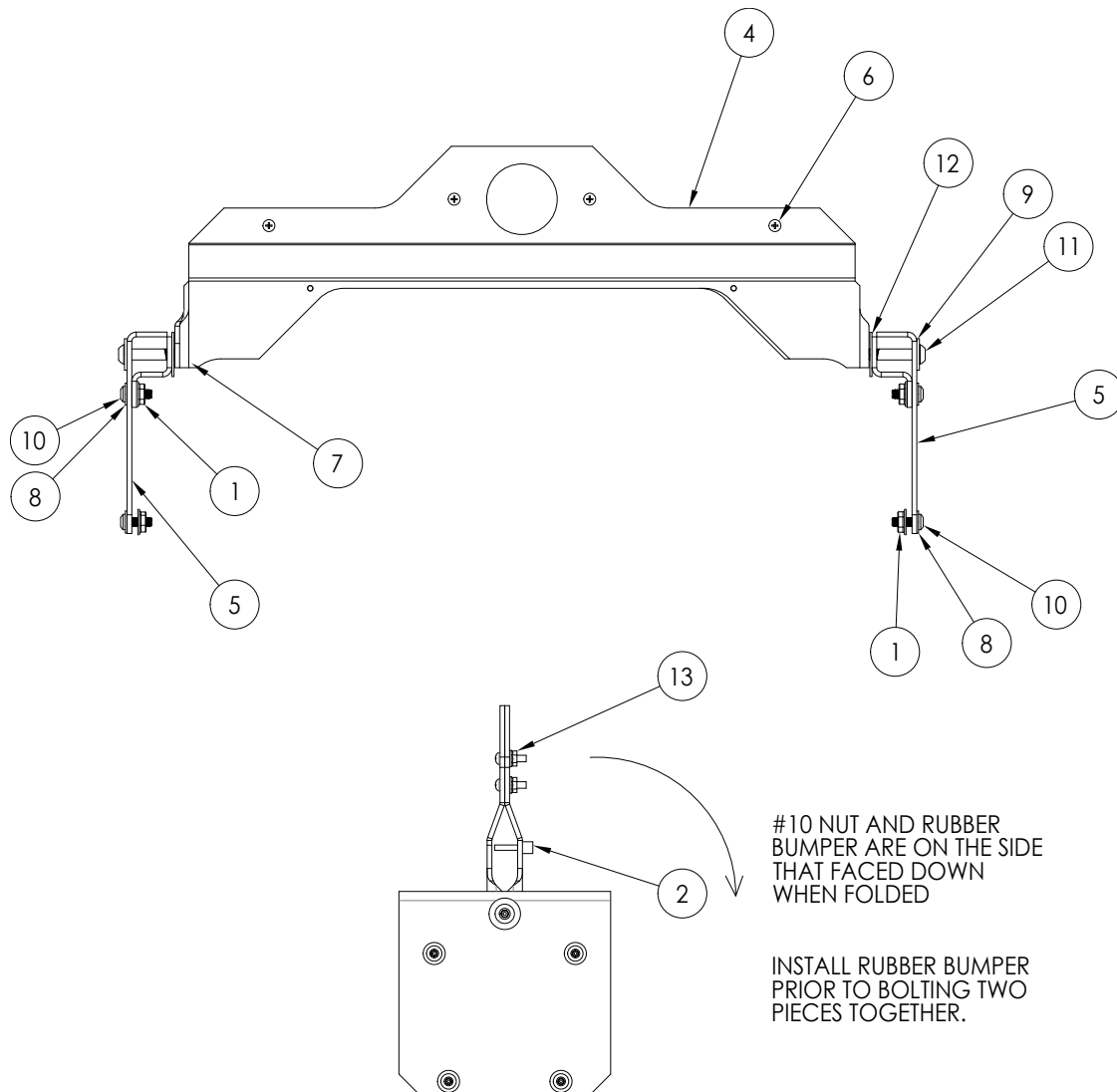


| REF # | PART NUMBER | QTY | DESCRIPTION |
|-------|-----------------|-----|----------------------------|
| 1 | 15620-007 | 1 | 2-Gang GFCI Cover |
| 2 | 15221-025S | 1 | Back Panel |
| 3 | 15458-027S | 1 | Front Panel |
| 4 | 91977-008 | 1 | 35A 1-Pole Circuit Breaker |
| 5 | 16488-017 | 1 | 20A 2-Pole GFCI Breaker |
| 6 | 64089-000 | 1 | SPST Rocker Switch |
| 7 | 58166-001 | 1 | Running Time Meter |
| 8 | 48042-001 | 1 | Ground Lug |
| 9 | 54545-000 | 1 | NEMA 5-50R Receptacle |
| 10 | 97360-000 | 1 | NEMA L14-30R Receptacle |
| 11 | 56279-000 | 1 | NEMA L5-20R Receptacle |
| 12 | 15147-001 | 2 | NEMA 5-20R GFCI Receptacle |
| 13 | 91286-001 | 2 | 20A 1-Pole Circuit Breaker |
| 14 | 300042 | 1 | Idle Control Module |
| 15 | 16489-001 | 1 | Modified Terminal Block |
| 16 | 16319-006 | 1 | Breaker Mounting Bracket |
| 17 | 64045-006 | 2 | 3-Hole Mounting Strap |
| 18 | 64045-041 | 1 | 2-Hole Mounting Strap |
| NI | 300108 | 1 | 10W 250 Ohm Resistor |
| NI | 62486-000 | 1 | Grommet |
| NI | Not Illustrated | | |

DECALS

| REF # | PART NUMBER | QTY | DESCRIPTION |
|-------|-------------------|-----|--------------------------|
| 1 | 15209-000 | 1 | Decal Set |
| 2 | 15209-001 | 1* | Gasoline Decal |
| 3 | 15209-002 | 1* | Danger CO2 Decal |
| 4 | 15209-003 | 1* | Electrical Shock Decal |
| 5 | 64918-000 | 2 | Danger Use Outside Decal |
| 6 | 63941-001 | 2 | Hot Surface Decal |
| 7 | 15209-013 | 1 | Fuel Type Decal |
| 8 | 15209-014 | 1 | Check Oil Decal |
| 9 | 63966-004 | 1 | Winco Nameplate |
| 10 | 15208-000 | 1 | Tank Permeation Decal |
| * | Part of 15209-000 | | |

LIFTING EYE ASSEMBLY



#10 NUT AND RUBBER BUMPER ARE ON THE SIDE THAT FACED DOWN WHEN FOLDED

INSTALL RUBBER BUMPER PRIOR TO BOLTING TWO PIECES TOGETHER.

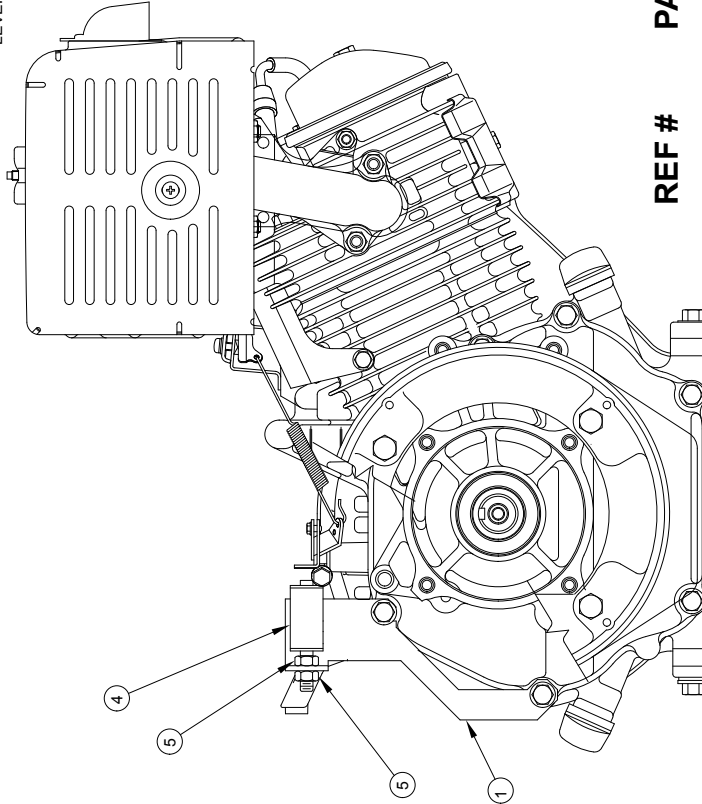
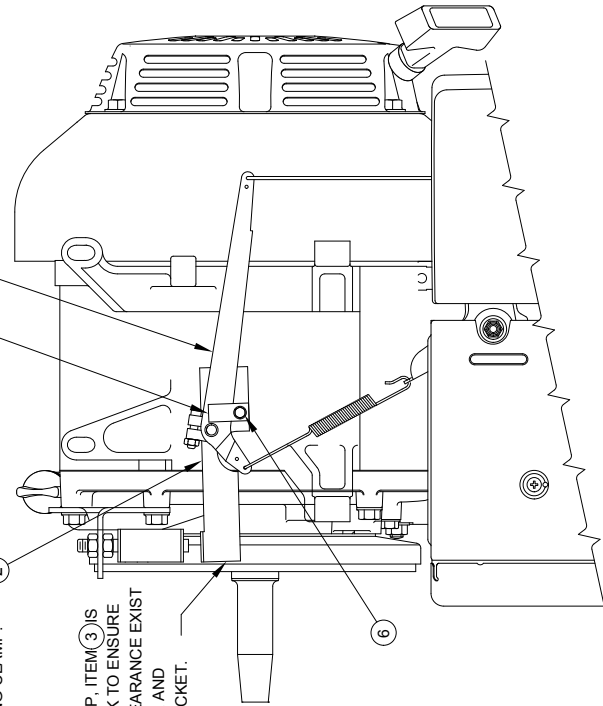
| REF # | PART NUMBER | QTY | DESCRIPTION |
|-------|-------------|-----|------------------------------|
| 1 | 16248-000 | 8 | .25-20 Flange Nut |
| 2 | 20952-001 | 2 | Rubber Bumper |
| 3 | 300148-11 | 2 | Inside Bracket |
| 4 | 300148-12 | 2 | Lifting Eye |
| 5 | 300149-10 | 2 | Lifting Eye Support |
| 6 | 420-001 | 4 | 10-24 X 3/4 Phillips Screw |
| 7 | 47136-000 | 2 | 5/16-18 Nylock Hex Nut |
| 8 | 512-000 | 8 | .25 Washer |
| 9 | 526-000 | 2 | Washer |
| 10 | 64858-001 | 8 | 3/4" Button Head Cap Screw |
| 11 | 64858-006 | 2 | 2 1/4" Button Head Cap Screw |
| 12 | 96286-006 | 2 | Nylon Flat Washer |
| 13 | 99671-000 | 4 | 10-24 Hex Nut |

ENGINE IDLE CONTROL (CONSERVER) ASSEMBLY

REMOVE GOVERNOR ARM AND REPLACE AFTER INSTALLATION OF ITEM(4) ROTATION OF SHAFT AND ARM TO STOP AT DIRECTION OF SPRING PULL BEFORE TIGHTENING GOVERNOR SHAFT CLAMP.

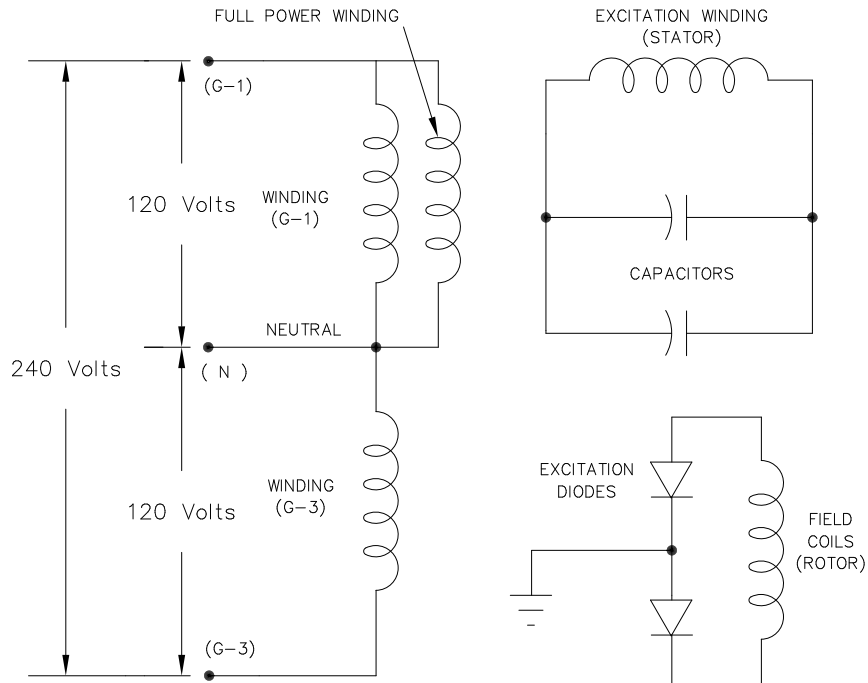
ALIGN HOLES IN GOVERNOR LEVER WITH LARGE HOLE IN CONSERVER LEVER BEFORE SECURING CLAMP.

AFTER CLAMP, ITEM(3) IS SECURED CHECK TO ENSURE THAT .06" CLEARANCE EXIST BETWEEN LEVER AND GENERATOR BRACKET.



| REF # | PART NUMBER | QTY | DESCRIPTION |
|-------|-------------|-----|----------------------------|
| 1 | 15416-000 | 1 | Conserver Mounting Bracket |
| 2 | 15415-000 | 1 | Conserver Lever |
| 3 | 62309-000 | 1 | Clamp |
| 4 | 15182-000 | 1 | Conserver Electro-Magnet |
| 5 | 44894-000 | 2 | 5/16-24 Hex Jam Nut |
| 6 | 55556-000 | 1 | Self Tapping Screw |

AC SCHEMATIC



GENERATOR SPECIFICATIONS:

| | |
|---------------|-----------|
| G1 to Neutral | 0.18 Ohms |
| G3 to Neutral | 0.36 Ohms |
| “Q” Winding | 0.55 Ohms |
| Rotor | 1.0 Ohms |

| | |
|-------------------|-------------|
| Winding Spec. | SS1531 |
| AC Connection | AC367 |
| AC Residual Volts | 7.0 VAC L-L |

WIRING DIAGRAM

