

WINGO INC[®]

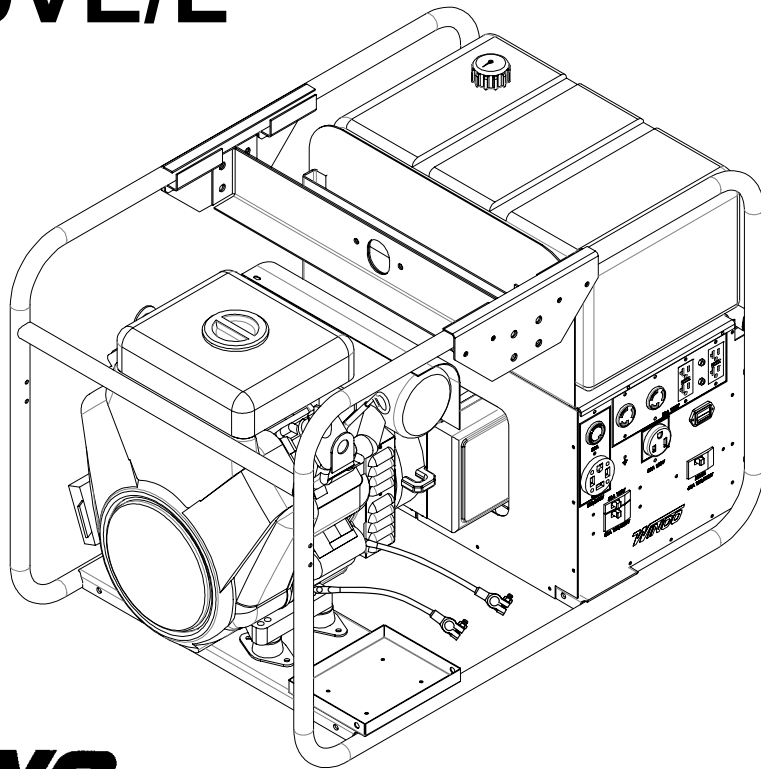
A Division of DTE Dyna Technology Inc

ILLUSTRATED PARTS LIST

WL18000VE/G

WL18000VE/H (50 STATE)

WL18000VE/L

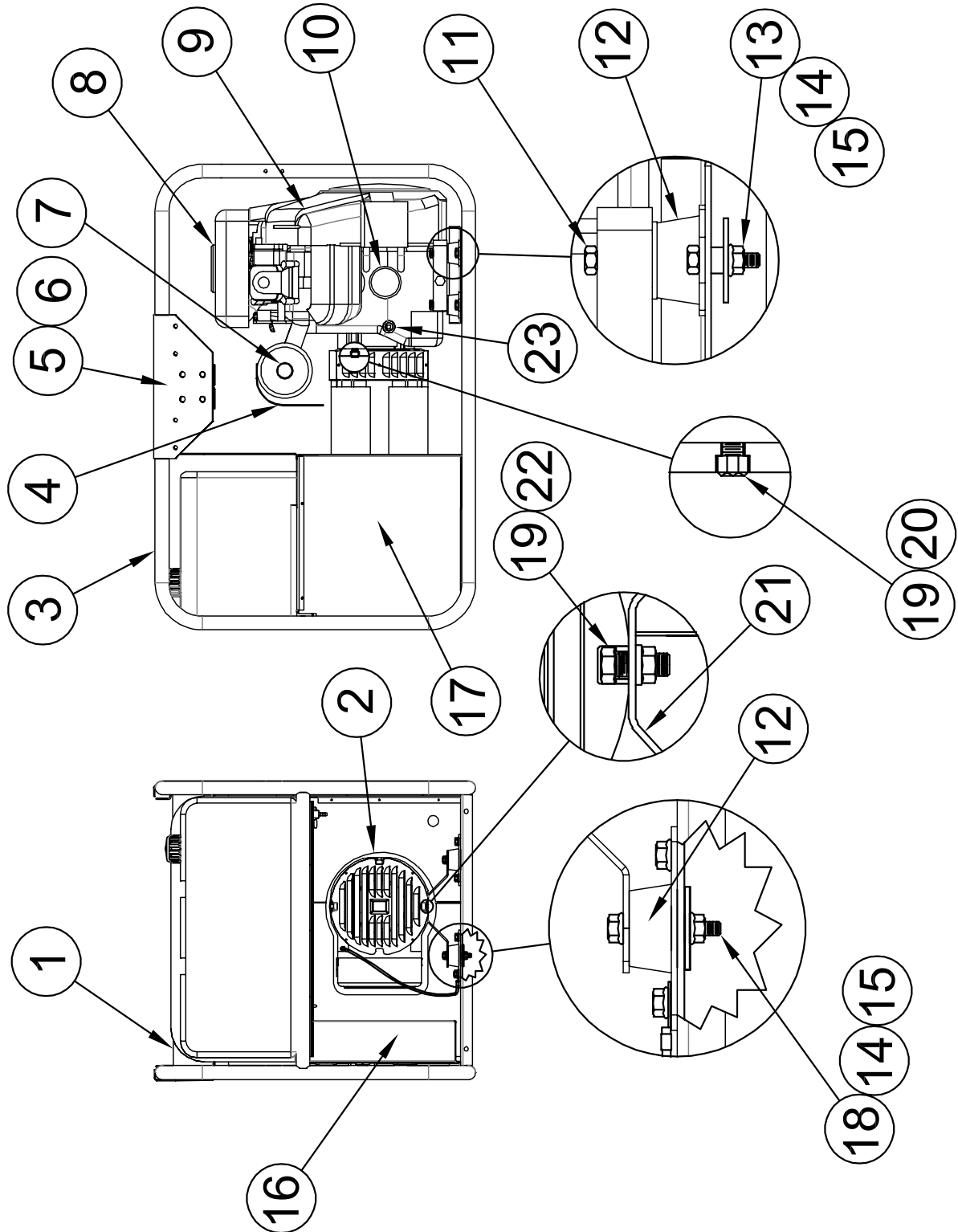


WINGO INC[®]

A Division of DTE Dyna Technology Inc

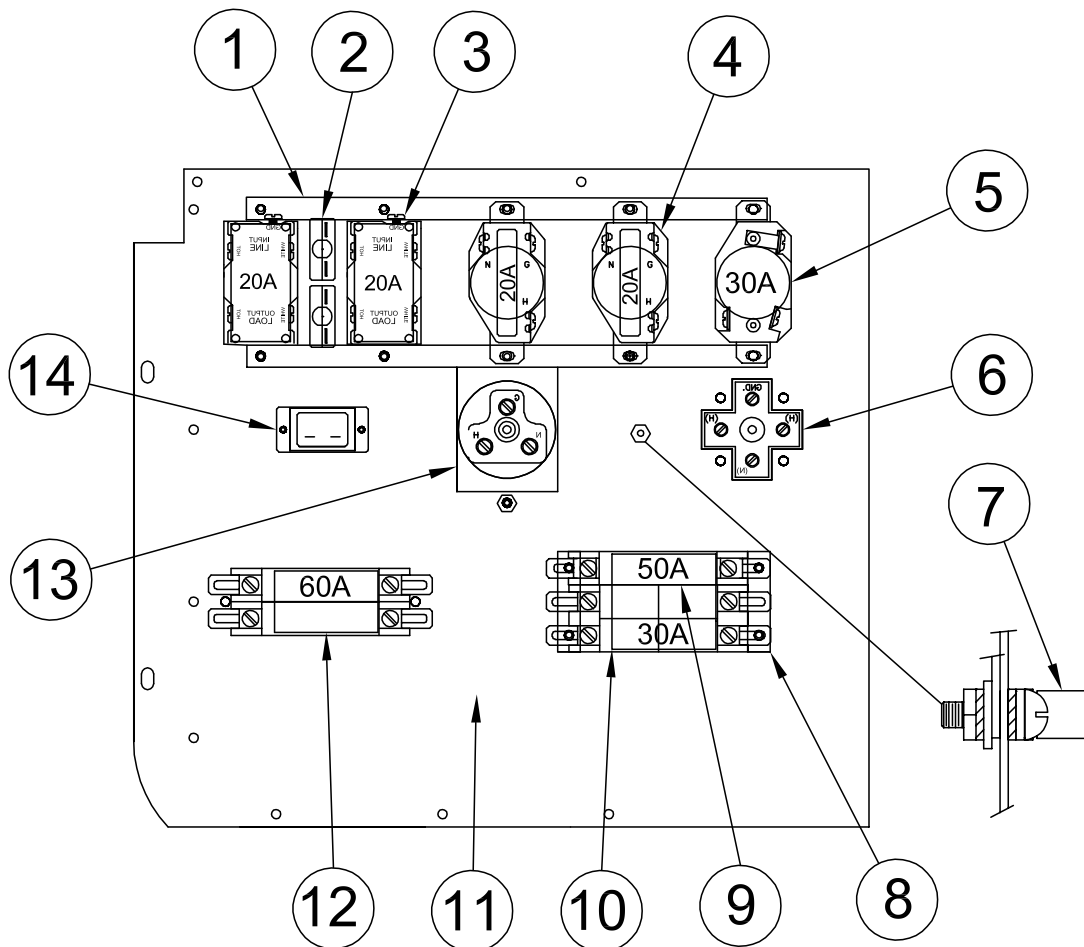
225 S. CORDOVA AVE.
LECENTER, MN 56057
507-357-6821
SERVICE DEPT.
507-357-6831

ENGINE / GENERATOR ASSEMBLY



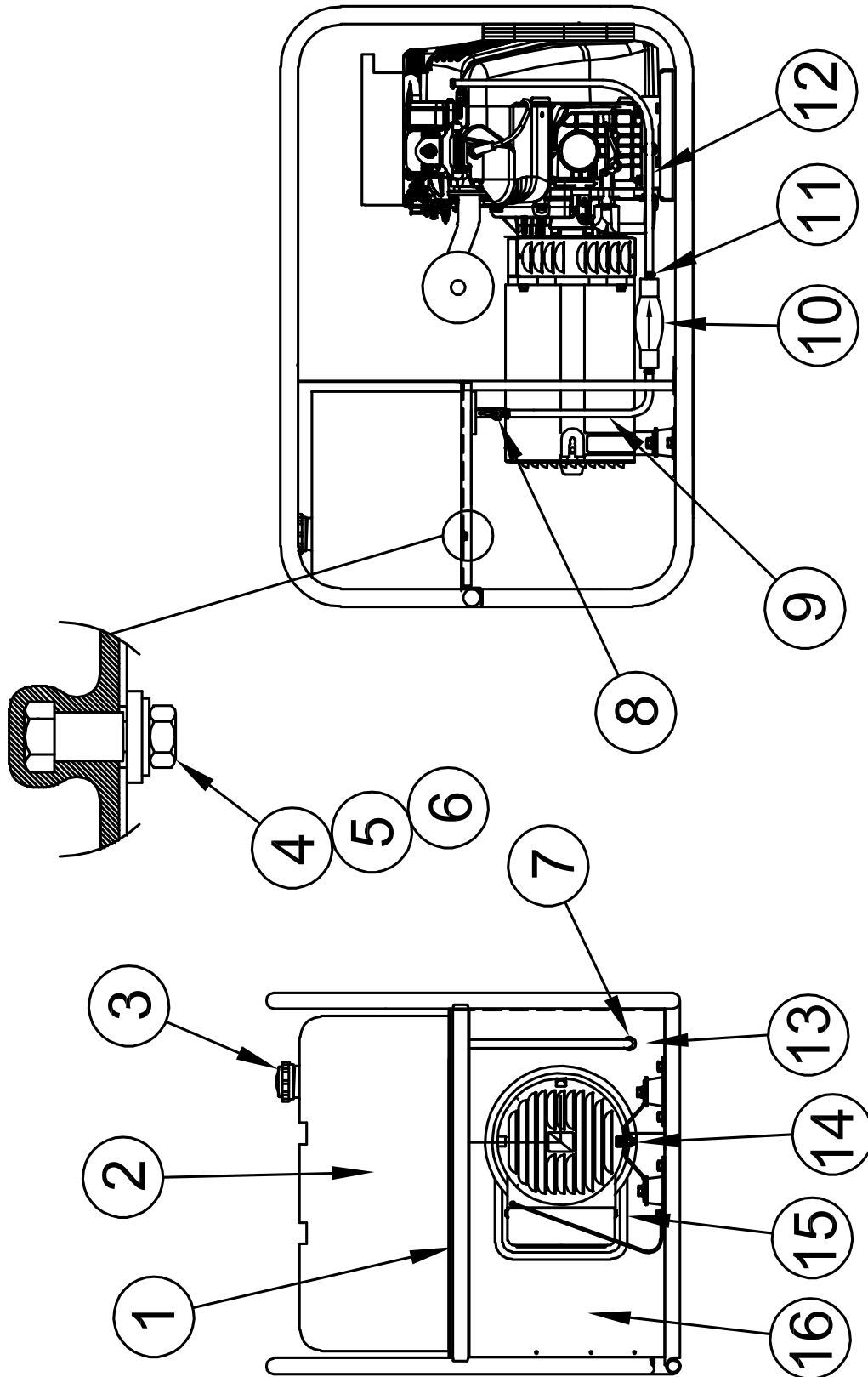
REF #	PART NUMBER	QTY	DESCRIPTION
1	300148-2	2	Lifting Eye
2	16428-002	1	Generator, Mecc Alte Spa Model: S20F-230/A
3	63073-039	1	Cradle Assembly
4	16356-002	1	Muffler Shield
5	300149-2	4	Cradle Lifting Support
6	300147-2	2	Lifting Eye Support
7	16237-002	1	Spark Arrestor
8	692519	1*	Air Filter
8a	692520	1*	Air Filter Pre-Cleaner
9	16427-004	1**	Engine, Briggs & Stratton Model: 543477-2140-G1
9	16427-005	1***	Engine, Briggs & Stratton Model: 543477-2141-G1
10	842921	1*	Oil Filter
11	91107-000	4	5/16"-18 X 3.5" Bolt
12	98807-000	6	Shock Mounts
13	467-000	12	5/16"-18 X 3/4" Bolt
14	98806-000	10	2" Flat Washer
15	16249-000	16	5/16"-18 Flange Nut
16	300146-5S	1	Rear Receptacle Box Cover
17	99055-007S	1	Front Receptacle Box Cover
18	471-000	2	5/16"-18 X 2 1/4" Bolt
19	91658-001	5	3/8"-16 X 1" Bolt
20	481-000	4	3/8" Lock Washer
21	16335-006	1	Generator Support
22	16250-00	1	3/8"-16 Flange Nut
23	841281	1*	Oil Pressure Switch
NI	300323-112	1	31.5μ, 425VAC Capacitor
NI	300323-212	2	35μ, 425VAC Capacitor
NI	300143-2	1	Battery Hold Down Kit
NI	22097-015	1	Negative (-) Battery Cable
NI	22097-016	1	Positive (+) Battery Cable
NI	300430-3	1	Battery Tray
NI	491055	2*	Spark Plug
NI	Not Illustrated		
*	Briggs & Stratton Part #'s		
**	Used on Models: WL18000VE/G & WL18000VE/H		
***	Used on Model: WL18000VE/L		

RECEPTACLE PANEL ASSEMBLY



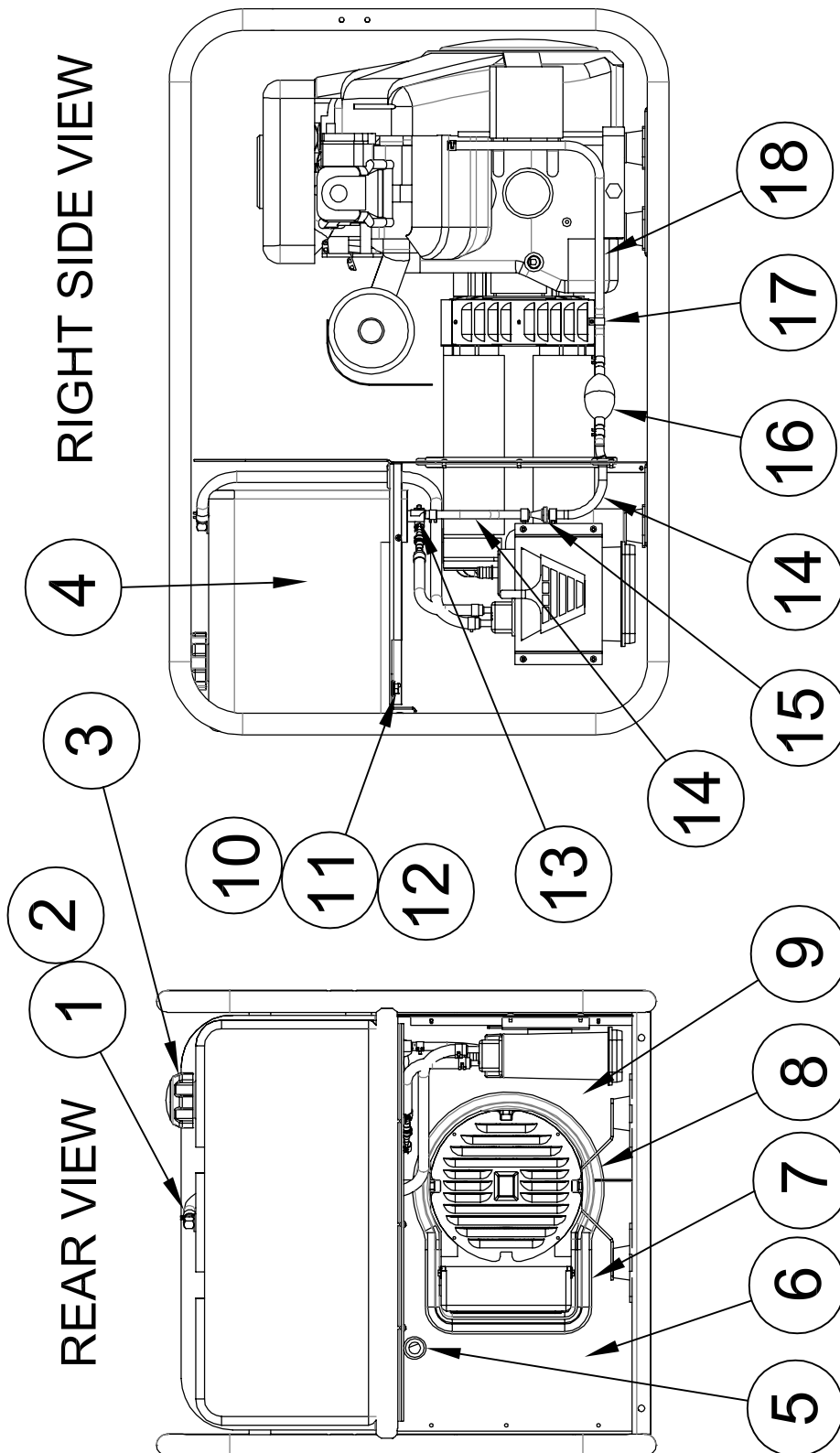
REF #	PART NUMBER	QTY	DESCRIPTION
1	64045-035	2	Mounting Strap
2	91286-001	2	20A Circuit Breaker
3	15147-001	2	20A GFCI Receptacle
4	56279-000	2	NEMA L5-20R Receptacle
5	57324-000	1	NEMA L6-30R Receptacle
6	300136	1	NEMA 14-60R Receptacle
7	48042-001	1	Ground Lug
8	64045-036	2	Mounting Strap
9	57030-002	1	30A 240V Circuit Breaker
10	91977-003	1	50A 120V Circuit Breaker
11	99055-007S	1	Front Receptacle Box Cover
12	57030-005	1	60A 240V Circuit Breaker
13	54545-000	1	NEMA 5-50R Receptacle
14	58166-001	1	Running Time Meter
NI	300137	1	NEMA 14-60P Plug
NI	Not Illustrated		

FUEL SYSTEM ASSEMBLY WL18000VE/G & WL18000VE/L

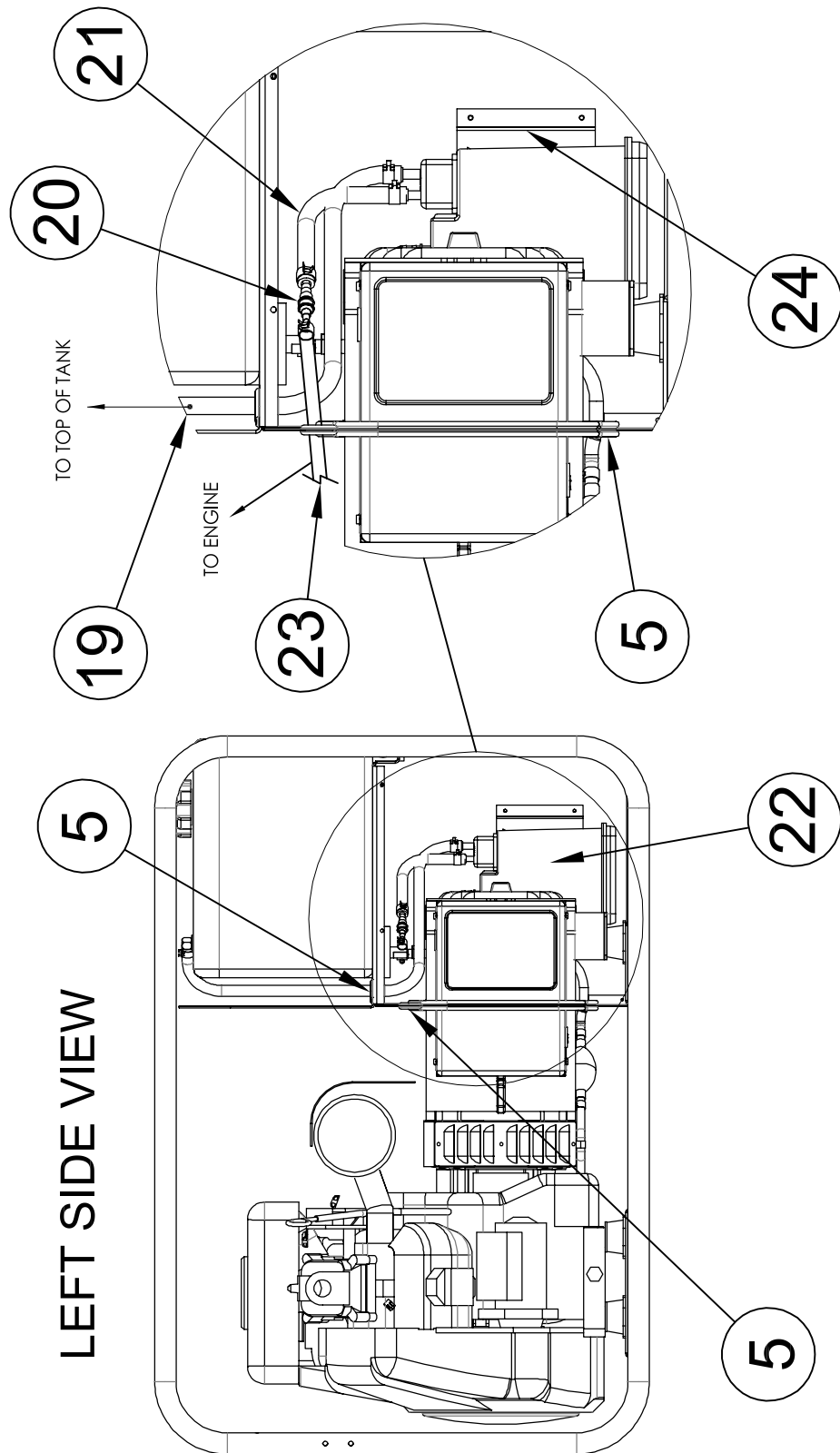


REF #	PART NUMBER	QTY	DESCRIPTION
1	15462-040	1	Fuel Tray
2	16316-001	1	15 Gal. Fuel Tank
3	62396-006	1	Fuel Cap with Gauge
4	91658-011	4	3/8-16 X 3/4" Bolt
5	20604-000	4	Flat Washer
6	16133-001	4	Leather Washer
7	23917-000	1	Grommet
8	98771-004	1	Shut Off Valve
8A	62409-000	1	Shut Off Valve Bushing
9	40078-000	13"	Fuel Line
10	62391-000	1	Primer Bulb
11	62999-001	4	1/4" Hose Clamps
12	40078-000	34"	Fuel Line
13	15464-014S	1	Right Divider
14	15287-000	15.5"	Air Seal
15	15287-019	25.5"	Air Seal
16	15464-011S	1	Left Divider
NI	81900-000S	1	Carbon Canister Bracket
NI	691035	1*	Fuel Filter
*	Briggs & Stratton Part #		
NI	Not Illustrated		

FUEL SYSTEM ASSEMBLY WL18000VE/H (50 STATE)

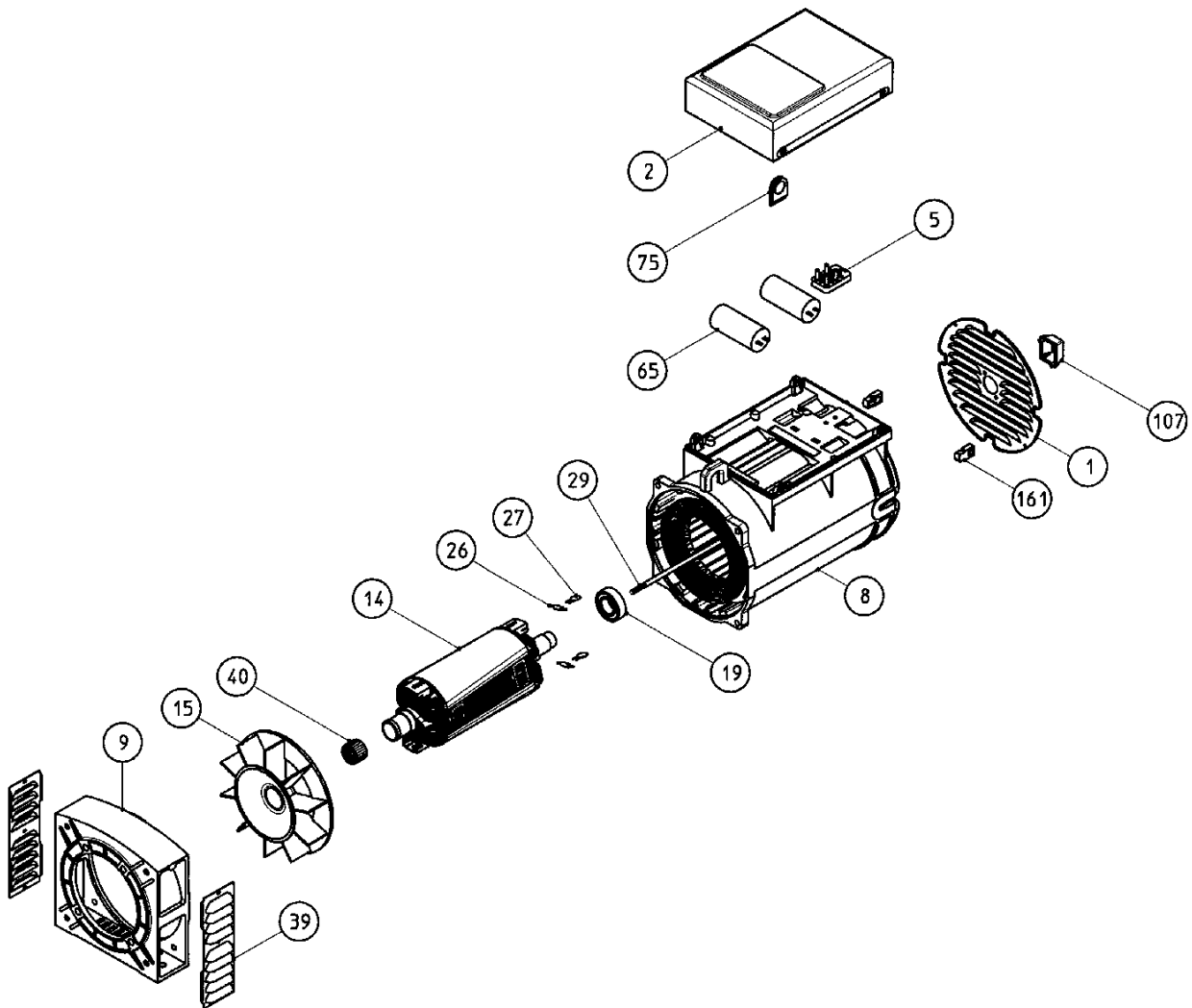


FUEL SYSTEM ASSEMBLY WL18000VE/H (50 STATE)



REF #	PART NUMBER	QTY	DESCRIPTION
1	62409-000	1	Fuel Tank Grommet
2	98435-001	1	90° Hose Fitting
3	62397-001	1	Fuel Cap w/Gauge One Way Vent
4	16316-001	1	15 Gallon Fuel Tank
5	23917-000	3	Grommet
6	15464-011S	1	Left Generator Divider
7	15287-000	15.5"	Air Seal
8	15287-000	25.5"	Air Seal
9	15464-014S	1	Right Generator Divider
10	91658-011	4	3/8"-16 x 3/4" Bolt
11	20604-000	4	3/8" Washer
12	16133-001	4	3/8" Leather Washer
13	98771-004	1	Fuel Shut Off Valve
14	40078-000	6"	Fuel Hose 1/4" I.D.
15	62496-005	1	Fuel Filter 40 - 70 micron
16	62391-000	1	Primer Bulb
17	48039-008	1	Nylon Clamp
18	40078-000	36"	Fuel Hose 1/4" I.D.
19	55505-000	31"	Fuel Hose 3/8" I.D.
20	98590-003	1	Hose Reducer
21	40079-000	8"	Fuel Hose 5/16" I.D.
22	80900-000	1	Carbon Canister
23	40078-000	36"	Fuel Hose 1/4" I.D.
24	81900-000S	1	Carbon Canister Bracket
NI	691035	1*	Fuel Filter
NI	62999-001	4	Hose Clamp .5 O.D. Red
NI	62999-004	6	Hose Clamp .69 O.D.
NI	62999-005	2	Hose Clamp .41 O.D. Green
*	Briggs & Stratton Part #		
NI	Not Illustrated		

GENERATOR END



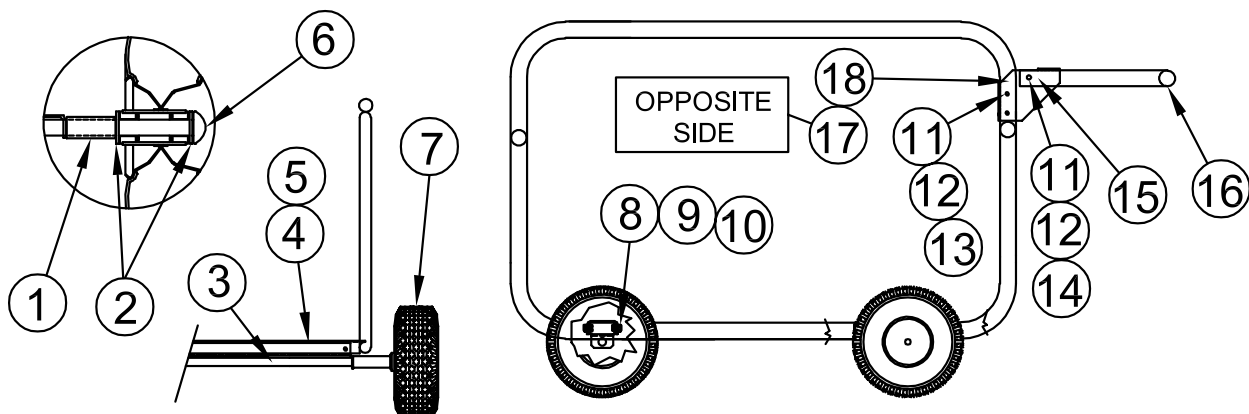
REF #	PART NUMBER	QTY	DESCRIPTION
	16428-002	1	Complete Generator Assembly
19	54665-000	1	Bearing
26	300323-207	2	Diode
27	300323-208	2	Varistor
65	300323-112	1	31.5 μ 425VAC Capacitor
65	300323-212	2	35 μ 425VAC Capacitor

Individual parts not listed here may be obtained from Magil Corp. (847) 550-0530. Winco Inc. sells the complete generator end or the individual parts listed above.

RESISTANCE VALUES:

STATOR: 0.196 OHMS
ROTOR: 7.54 OHMS
CAP LEADS: 0.44 OHMS

DOLLY KIT



REF #	PART NUMBER	QTY	DESCRIPTION
1	64688-007	4	Axle Stub
2	1178-000	8	Flat Washer 1 - 3/8"
3	64326-020	2	Axle
4	15775-007	1	Rear Axle Bracket
5	15775-005	1	Front Axle Bracket
6	64327-000	4	Hubcap
7	43657-003	4	Tire & Hub
8	458-000	8	Hex Nut 5/16" - 18
9	480-000	8	Lock Washer 5/16" - 18
10	467-000	8	HHCS 5/16" - 18 X 3/4"
11	479-000	6	Lock Washer 1/4"
12	93773-000	6	Acorn Nut 1/4" - 20
13	56842-004	4	Carriage Bolt 1/4" - 20 X 1-3/4"
14	56842-005	2	Carriage Bolt 1/4" - 20 X 2"
15	96286-006	2	Nylon Washer 1/4" X 1-1/4"
16	61857-003	1	Handle
17	300066-403	1	Right Handle Support
18	300066-404	1	Left Handle Support
NI	93402-002	2	1.25" Hole Plug
NI	Not Illustrated		

WIRING DIAGRAM

