

WINCO INC[®]

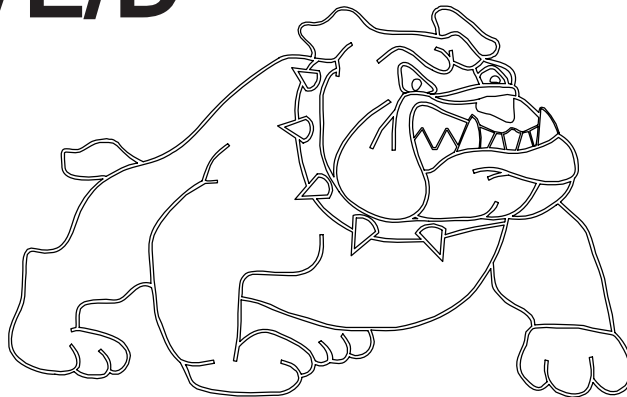
*A Division of **DTE** Dyna Technology Inc*

ILLUSTRATED PARTS LIST

WC10000VE/C

WC10000VE/D

**BIG
DOG**



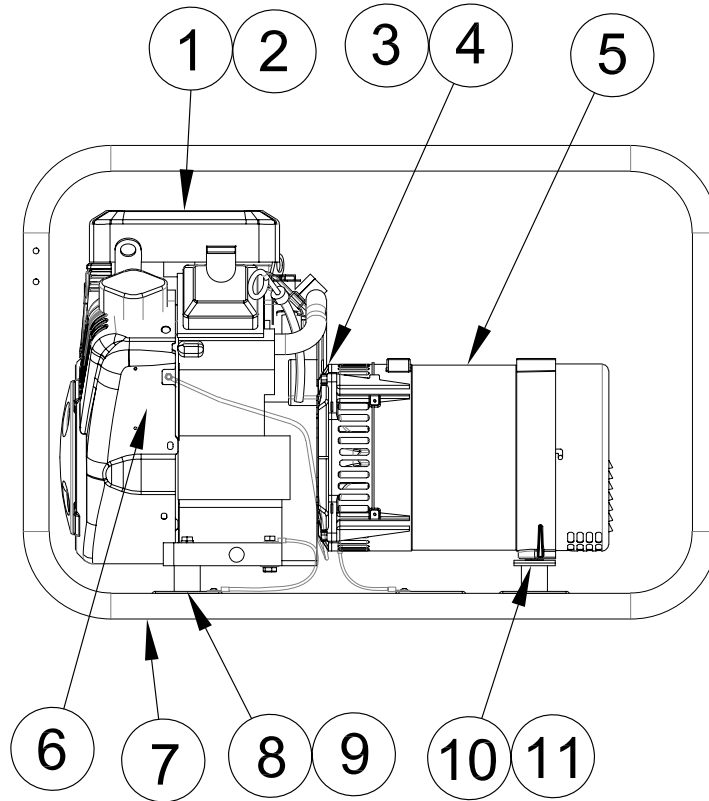
WC10000VE

WINCO INC[®]

*A Division of **DTE** Dyna Technology Inc*

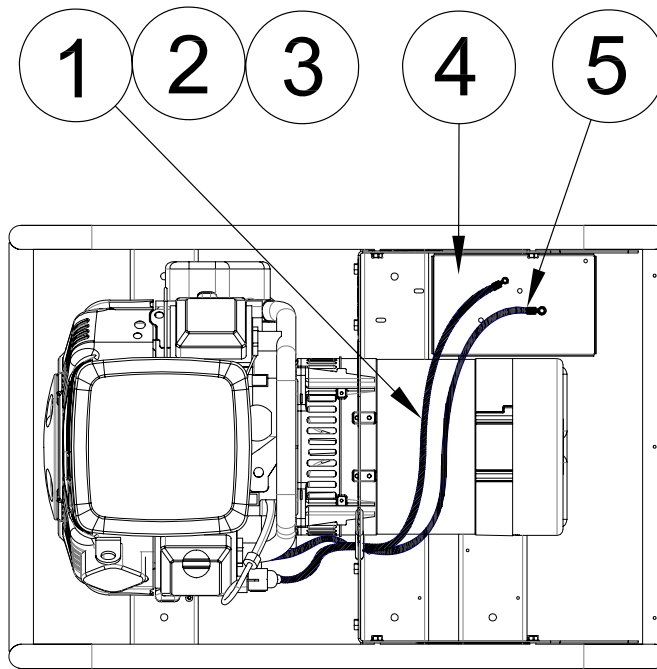
225 S. CORDOVA AVE.
LECENTER, MN 56057
507-357-6821
SERVICE DEPT.
507-357-6831

ENGINE & GENERATOR ASSEMBLY



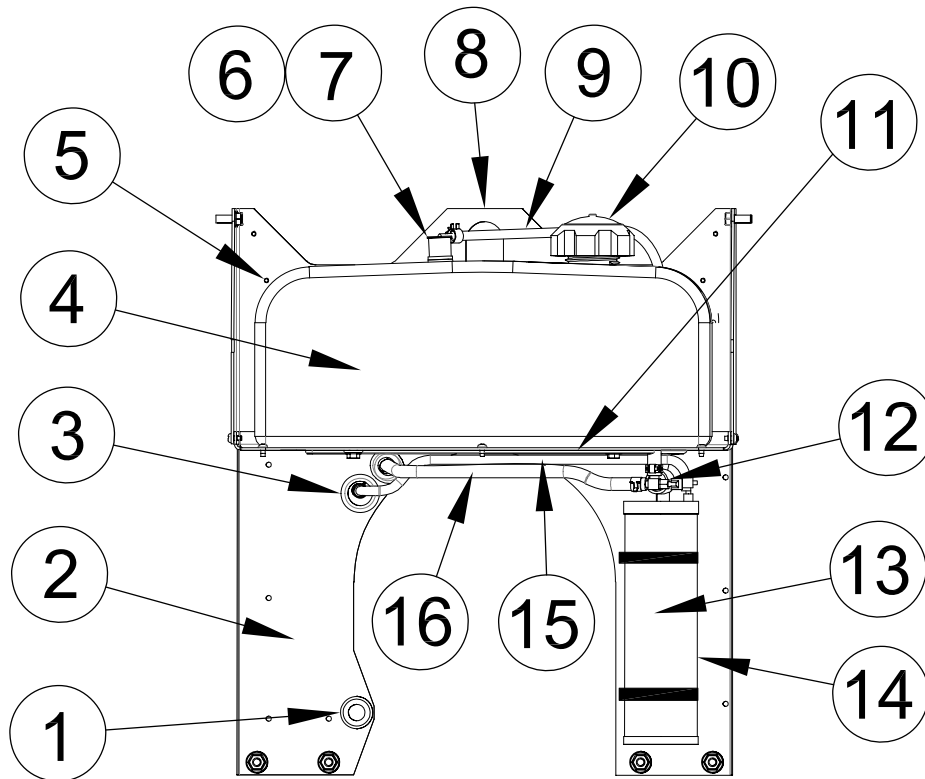
REF #	PART NUMBER	QTY	DESCRIPTION
1	394018	1*	Air Filter
2	272490	1*	Air Filter Pre-Cleaner
3	481-000	4	3/8" Split Lock Washer
4	91658-001	4	3/8"-16 X 1" Bolt
5	16346-004	1	Generator, Mecc Alte Spa Model: S20W-130/A
6	15461-000	1	Engine, Briggs & Stratton Model: 356447-0006-G1
7	17010-100	1	Cradle
8	64062-000	3	Shock Mount
9	468-000	3	5/16"-18 X 1 1/2" Bolt
10	98806-000	2	2" Flat Washer
11	1116-000	1	5/16"-18 X 1" Bolt
NI	492932	1*	6 cm long Oil Filter
NI	491056	1*	9 cm long Oil Filter
NI	491055	2*	Spark Plug
NI	493629	1*	Fuel Filter
*	Briggs & Stratton Part #		
NI	Not Illustrated		

BATTERY INSTALLATION



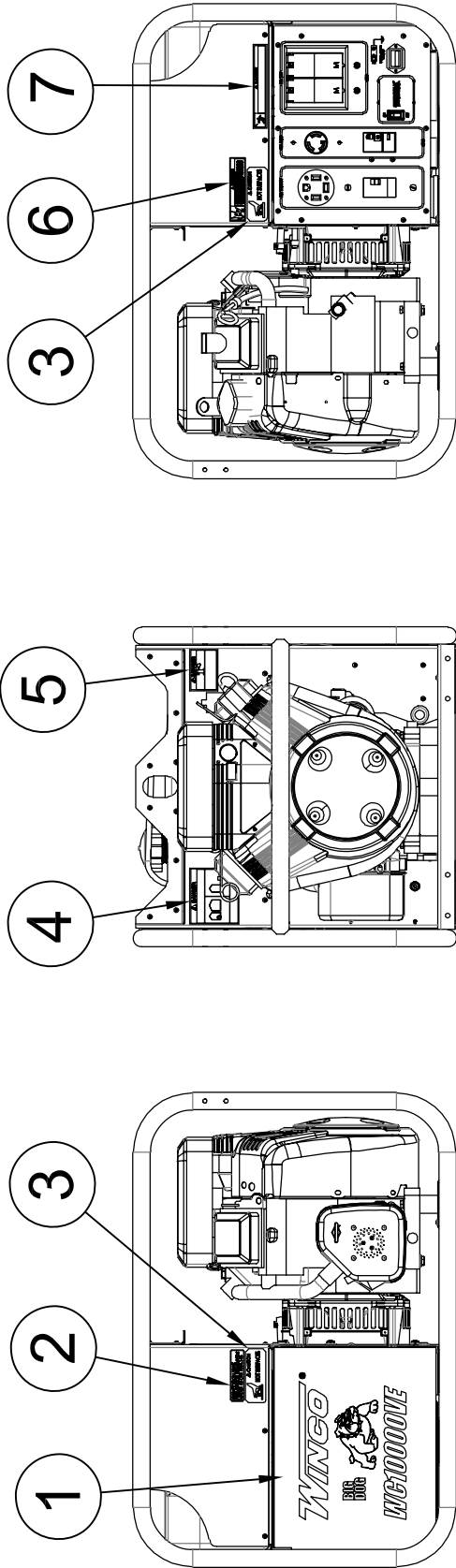
REF #	PART NUMBER	QTY	DESCRIPTION
1	15767-016	1	Positive (+) Battery Cable
2	16145-000	1	Insulator
3	16234-000	1	Red Terminal Cap
4	15676-006	1	Battery Tray
5	15767-025	1	Negative (-) Battery Cable

FUEL SYSTEM ASSEMBLY



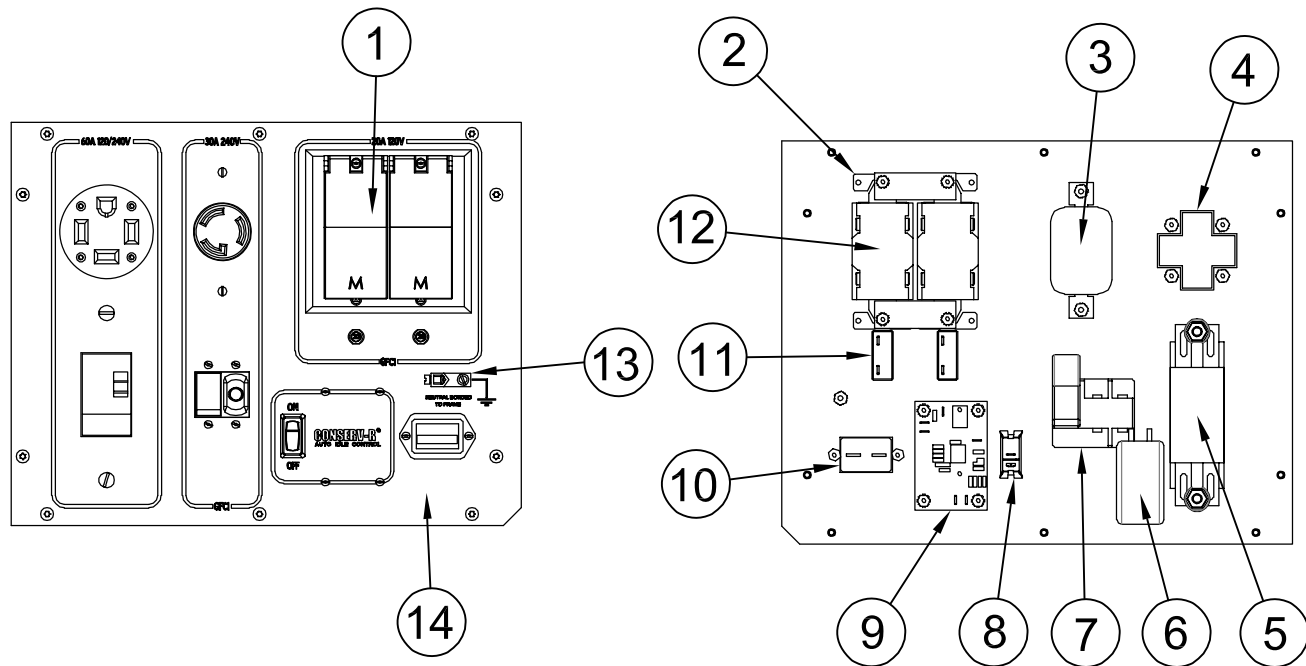
REF #	PART NUMBER	QTY	DESCRIPTION
1	23917-000	4	Grommet
2	17010-401S	1	Divider Panel
3	62486-000	1	Grommet
4	64024-010	1	7 Gallon Fuel Tank
5	21698-001	24	Torx Screws
6	80903-000	1	Slosh Valve
7	80903-001	1	Grommet
8	17010-403S	1	Beam Support
9	40077-000	20"	3/16" Fuel Hose
10	62397-003	1	Fuel Cap with Gauge
11	17010-402	1	Fuel Tray
12	98771-000	1	Petcock
13	80902-000	1	Carbon Canister
14	81902-000	2	Mounting Bracket
15	40077-000	31"	3/16" Fuel Hose
16	40078-000	24"	1/4" Fuel Hose
NI	62999-001	2	1/2" OD Red Hose Clamp
NI	62999-005	5	.41 OD Green Hose Clamp
NI	81018-009	1	Hose Clamp
NI	Not Illustrated		

DECAL INSTALLATION



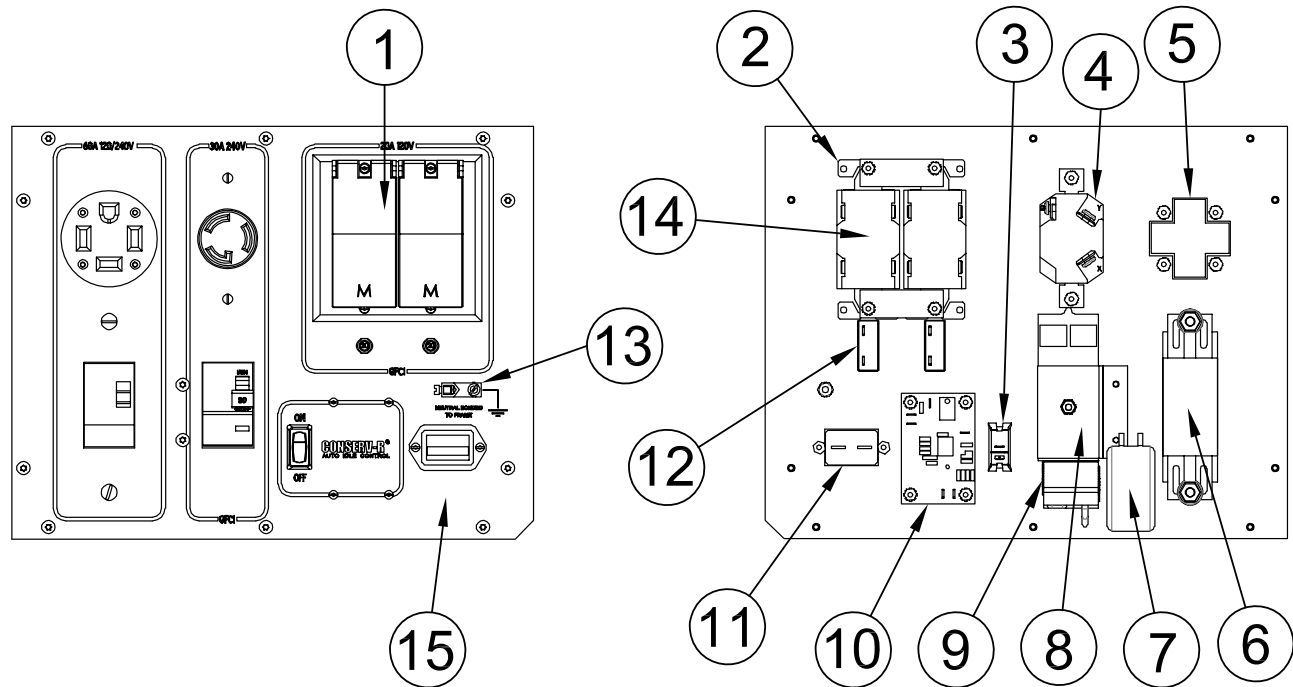
REF #	PART NUMBER	QTY	DESCRIPTION
1	17010-500	1	Side Panel
2	15208-000	1	Exempt Tank Decal
3	63941-001	2	Hot Surface Decal
4	64918-000	1	Danger CO Decal
5	15209-002	1*	Carbon Monoxide Decal
6	15209-001	1*	Gasoline Decal
7	15209-003	1*	Electrical Shock Decal
*	Part of Decal Set 15209-000		

RECEPTACLE BOX ASSEMBLY WC10000HE/C



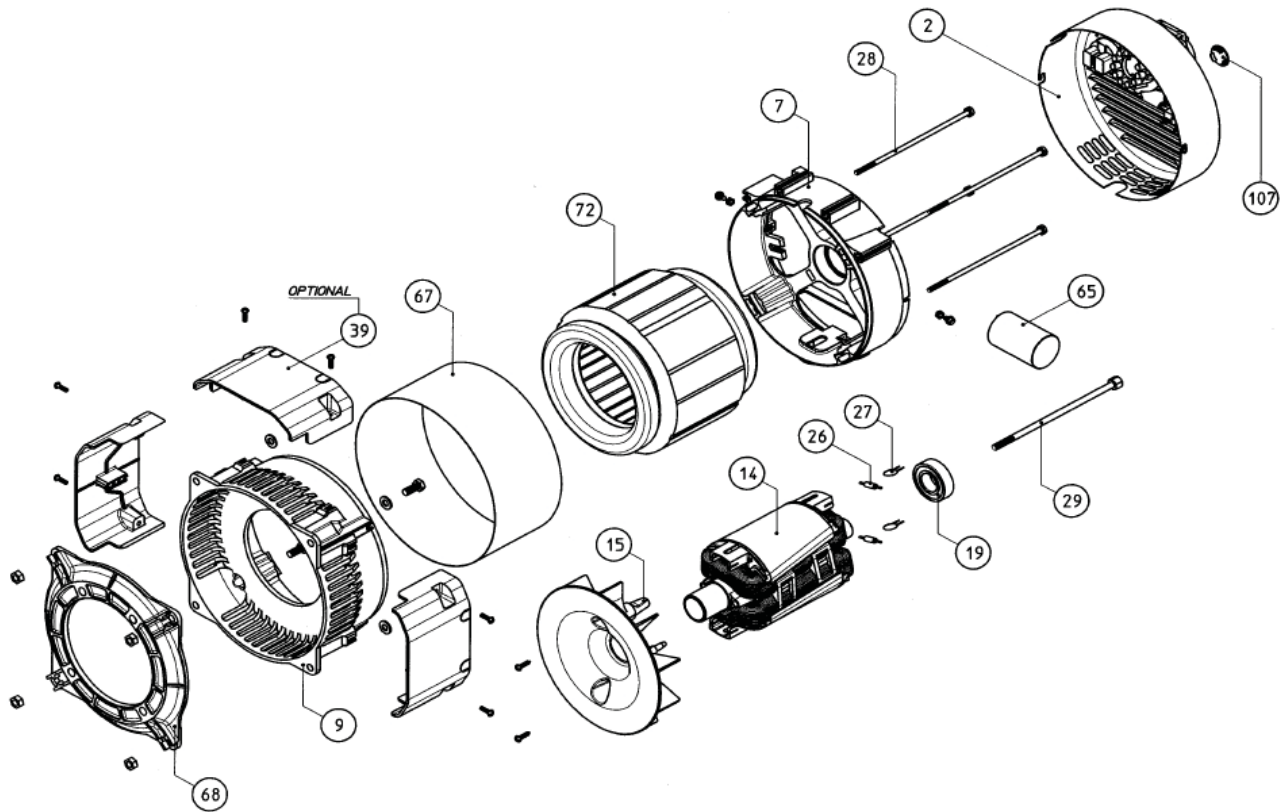
REF #	PART NUMBER	QTY	DESCRIPTION
1	15620-007	1	2-Gang GFCI Cover
2	64045-041	2	Mounting Strap
3	57324-000	1	NEMA L6-30R Receptacle
4	300136	1	NEMA 14-60R Receptacle
5	57030-008	1	40 Amp 2-Pole Circuit Breaker
6	16385-000	1	Idle Control Transformer
7	16488-001	1	30 Amp GFCI Circuit Breaker
8	64089-000	1	SPST Rocker Switch
9	300042-1	1	Idle Control Module
10	58166-001	1	Running Time Meter
11	91286-001	2	20 Amp 1-Pole Circuit Breaker
12	15147-001	2	NEMA 5-20R GFCI Receptacle
13	48042-001	1	Ground Lug
14	17010-201S	1	Front Receptacle Panel
NI	17010-202S	1	Rear Receptacle Panel
NI	23917-000	1	Grommet
NI	62486-000	1	Grommet
NI	Not Illustrated		

RECEPTACLE BOX ASSEMBLY WC1000HE/D



REF #	PART NUMBER	QTY	DESCRIPTION
1	15620-007	1	2-Gang GFCI Cover
2	64045-041	2	Mounting Strap
3	64089-000	1	SPST Rocker Switch
4	57324-000	1	NEMA L6-30R Receptacle
5	300136	1	NEMA 14-60R Receptacle
6	57030-008	1	40 Amp 2-Pole Circuit Breaker
7	16385-000	1	Idle Control Transformer
8	16319-000	1	Mounting Bracket
9	16488-000	1	30 Amp GFCI Circuit Breaker
10	300042-1	1	Idle Control Module
11	58166-001	1	Running Time Meter
12	91286-001	2	20 Amp 1-Pole Circuit Breaker
13	48042-001	1	Ground Lug
14	15147-001	2	NEMA 5-20R GFCI Receptacle
15	17010-204S	1	Front Receptacle Panel
NI	17010-202S	1	Rear Receptacle Panel
NI	23917-000	1	Grommet
NI	62486-000	1	Grommet
NI	16489-001	1	Circuit Breaker Terminal Block
NI	Not Illustrated		

GENERATOR END ASSEMBLY

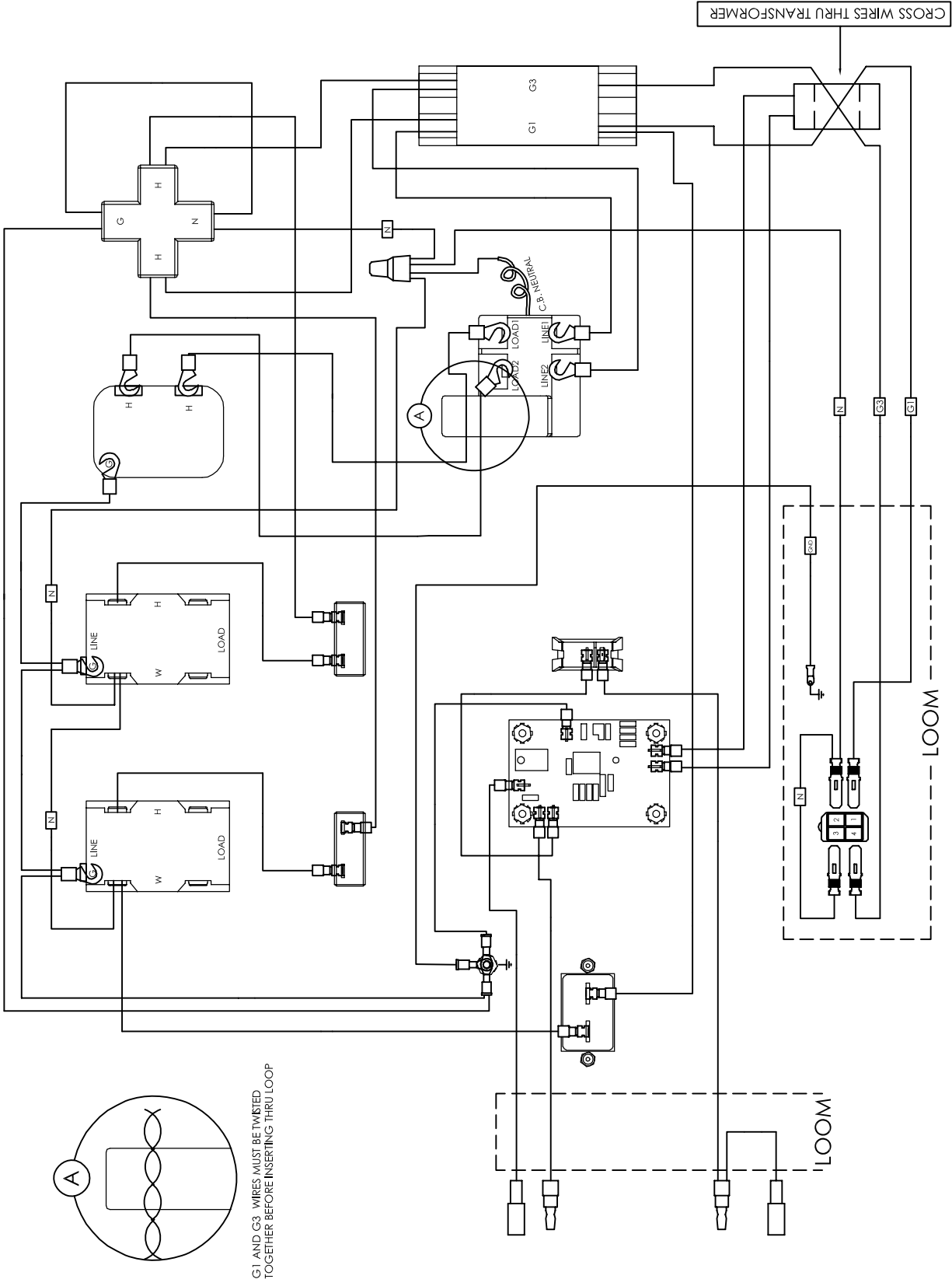


REF #	PART NUMBER	QTY	DESCRIPTION
	16346-004	1	Complete Generator End
19	54665-000	1	6205-2RS Bearing
26	300323-208	2	Varistor
27	300323-207	2	Diode
65	16346-312	1	40 mf Capacitor

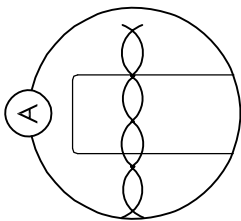
GENERATOR SPECIFICATIONS:

STATOR:	0.145 Ohms
ROTOR:	5.67 Ohms
CAPACITOR LEADS	1.31 Ohms

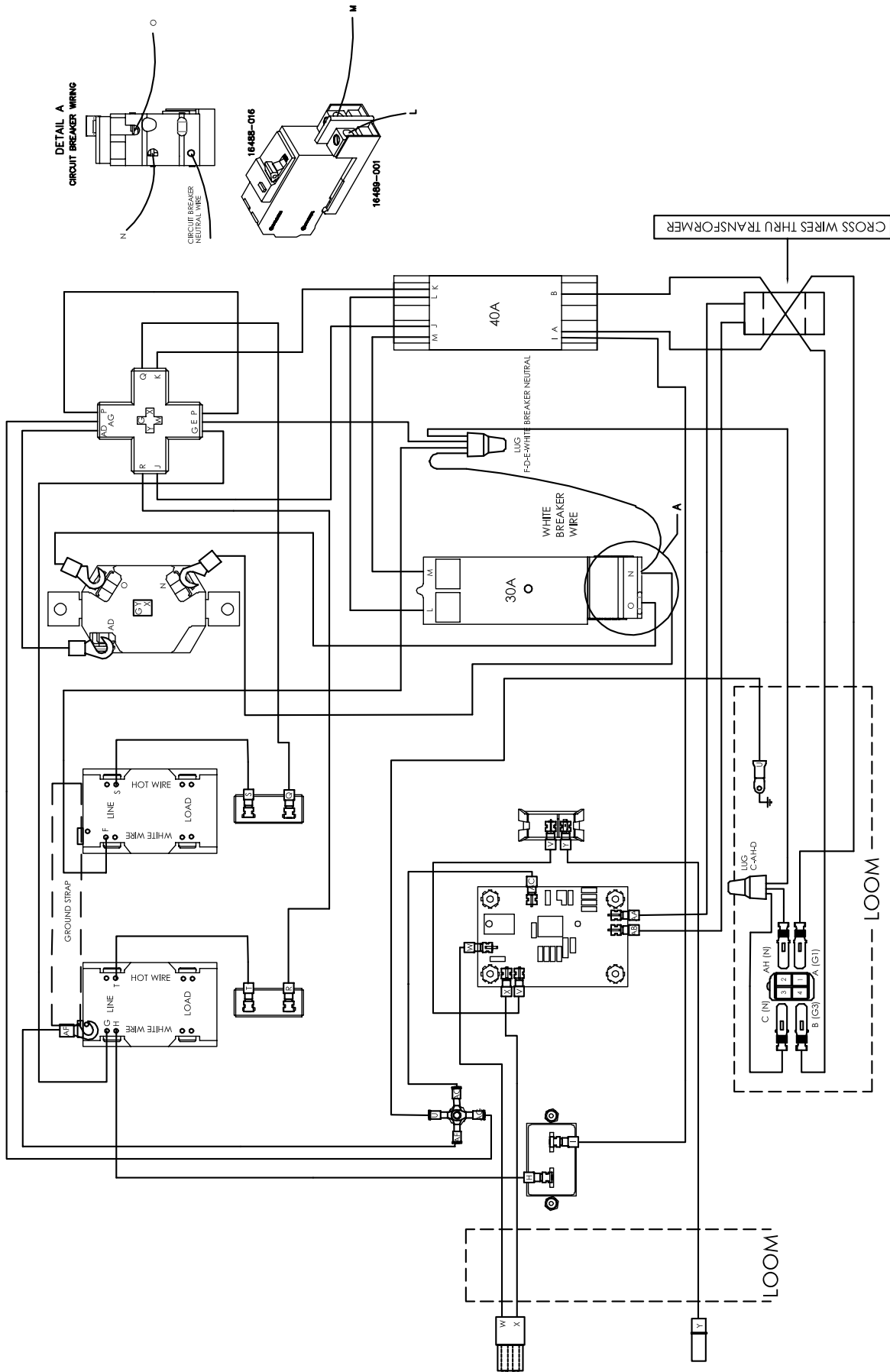
WIRING DIAGRAM WC1000VE/C



G1 AND G3 WIRES MUST BE TWISTED TOGETHER BEFORE INSERTING THRU LOOP



WIRING DIAGRAM WC10000VE/D



SEE ENGINE WIRING DRAWING 17010-206 SHT4
DURING FINAL ASSEMBLY FOR ENGINE HOOK UP