

WINCO INC[®]

A Division of **DTE** Dyna Technology Inc

ILLUSTRATED PARTS LIST

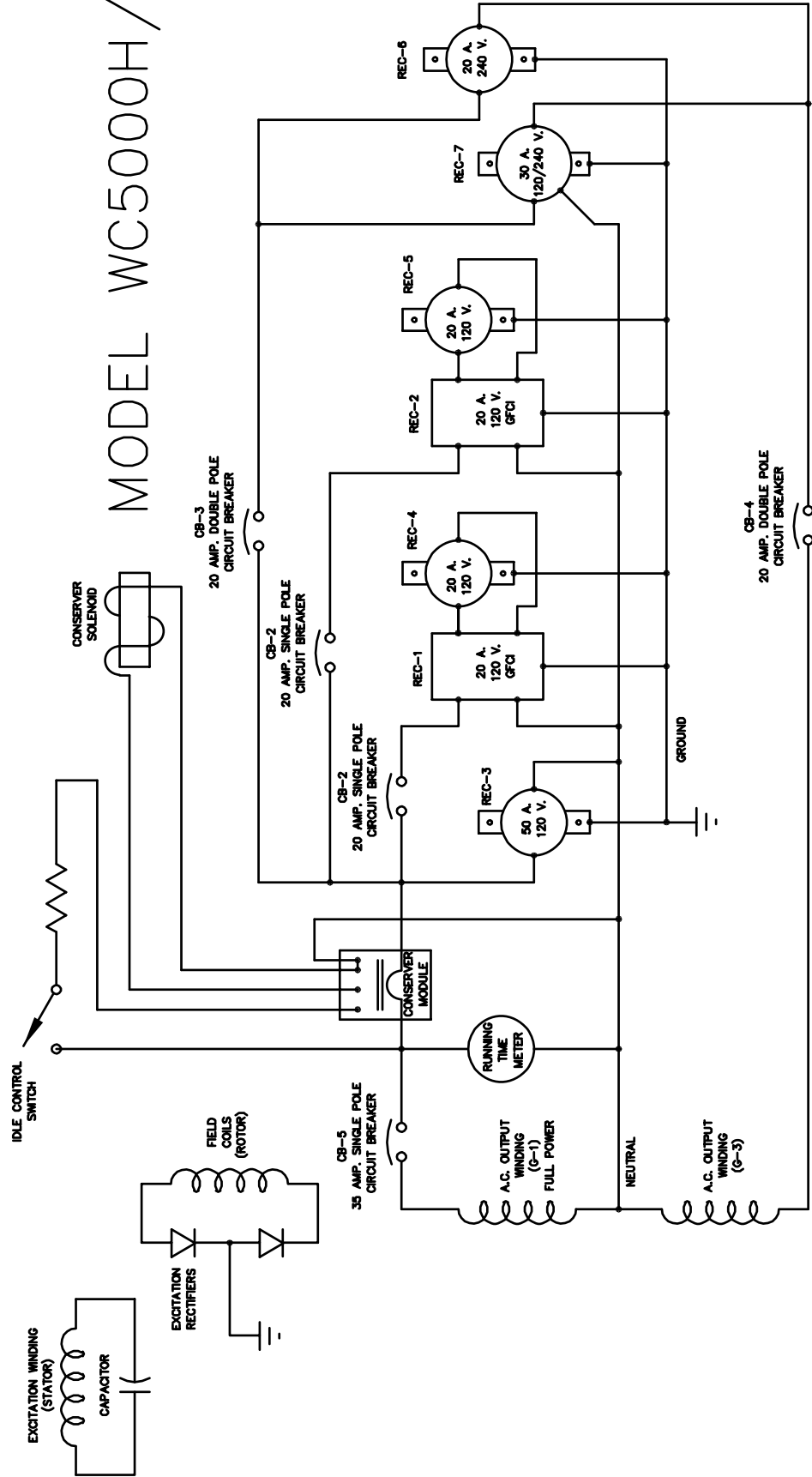
CSA WC5000H/C



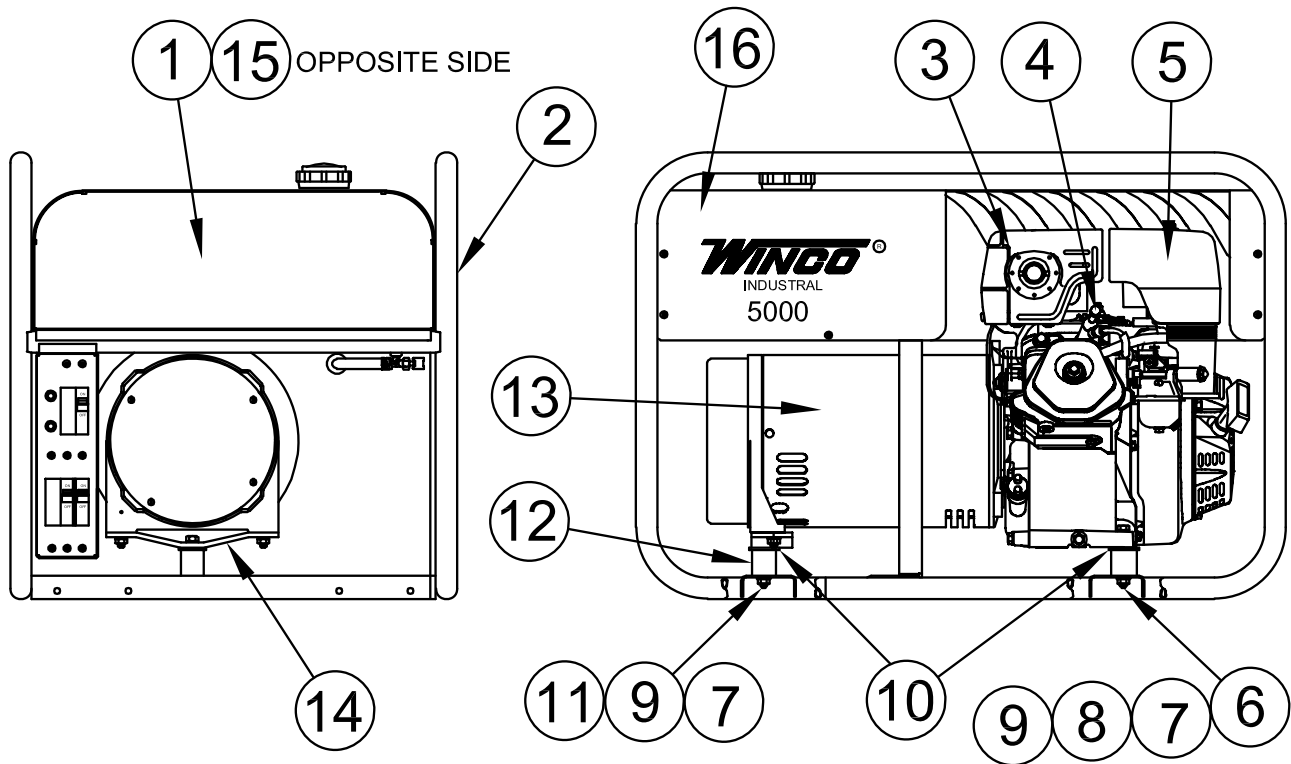
WIRING DIAGRAM

A.C. POWER SCHEMATIC

MODEL WC5000H/C

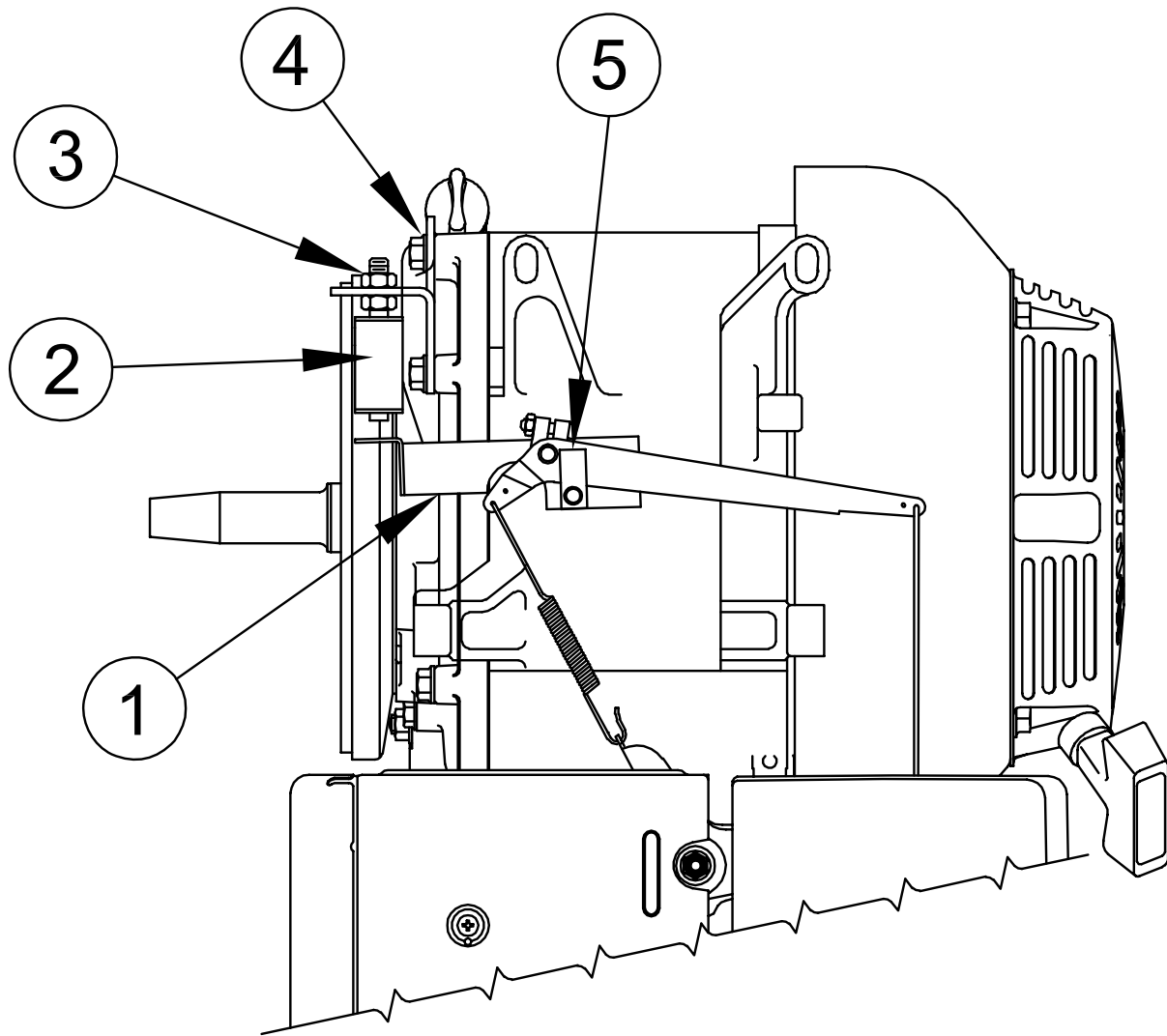


GENERATOR ASSEMBLY



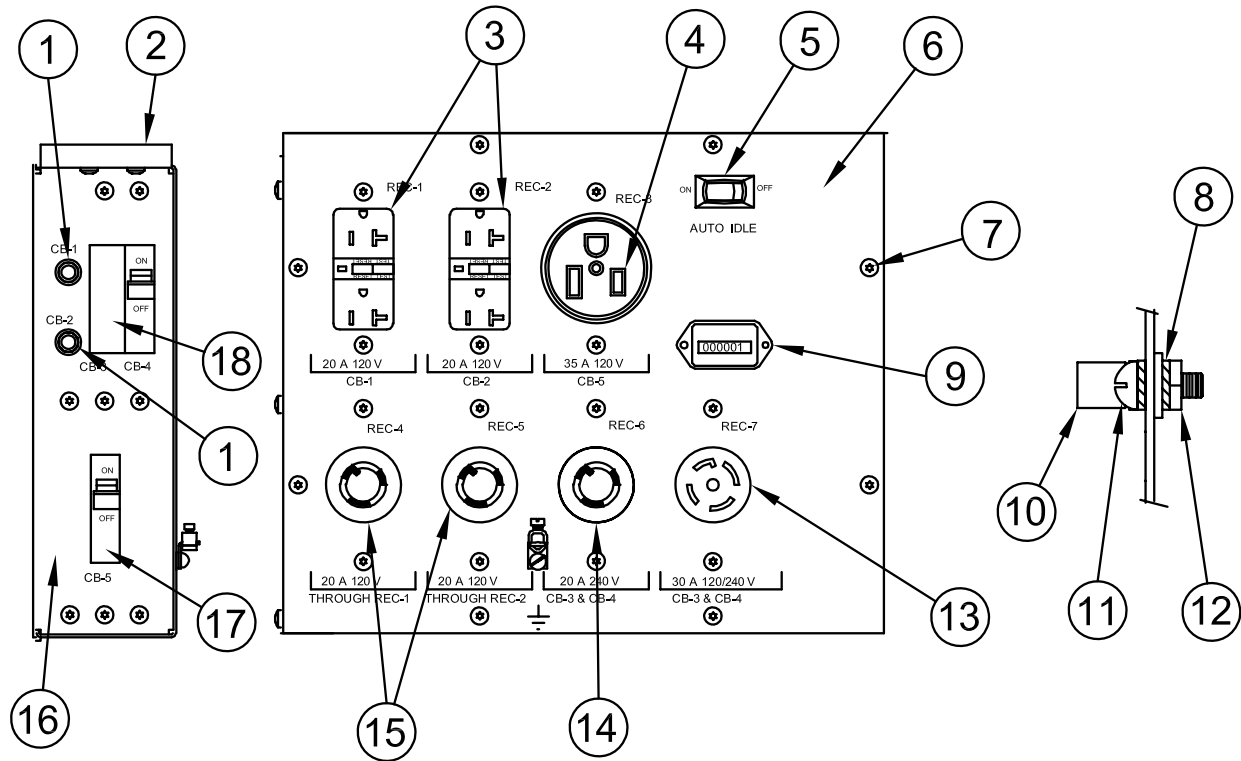
REF #	PART NUMBER	QTY	DESCRIPTION
1	15144-001	1	Gen-end End Baffle
2	63073-006	1	Cradle
3	15542-001	1	Engine 9 hp Honda GX270 R1VW12
4	BPR6ES (NGK)	1*	Spark Plug
5	17211-ZE2-000	1**	Air Filter
6	468-000	2	5/16 X 18 X 1.5" Bolt
7	480-000	3	5/16 Split Lock Washer
8	526-000	2	Flat Washer
9	16249-000	4	5/16-18 Flange Nut
10	23760-002	3	1.22 OD X .344 ID Washer
11	467-000	1	5/16-18 X .75" Bolt
12	64062-000	3	Shock Mounts
13	15041-005	1	Generator Assembly
14	15039-000	1	Support Bracket
15	15144-005	1	Engine-end End Baffle
16	15227-010	1	Engine Cover Panel
*	NGK part #		
**	Honda part #		

IDLE CONTROL ASSEMBLY



REF #	PART NUMBER	QTY	DESCRIPTION
1	15413-000	1	Conserved Lever
2	15182-000	1	Conserved Magnet
3	44894-000	2	5/16-24 Hex Jam Nut
4	15543-000	1	Mounting Bracket
5	62309-000	1	Clamp

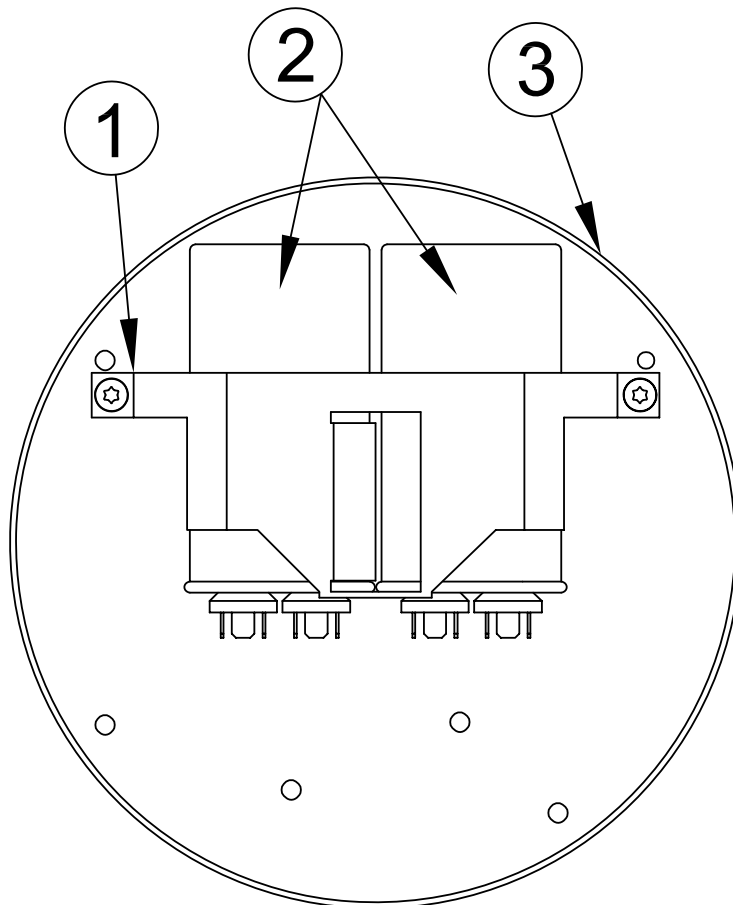
RECEPTACLE BOX ASSEMBLY



REF #	PART NUMBER	QTY	DESCRIPTION
1	91286-001	2	20 Amp Breaker
2	15221-407	1	Top & Back Panel
3	15147-001	2	20A 120V GFCI Receptacle
4	54545-000	1	50A 120V Receptacle
5	64089-000	1	Snap-in Rocker Switch
6	15458-420	1	Front Panel
7	21698-001	26	Torque Screw
8	21975-000	2	# 10 Lock Washer
9	58166-001	1	Running Time Meter
10	48042-001	1	Ground Lug
11	419-000	1	Round Head Screw
12	456-000	1	#10-24 Hex Nut
13	97360-000	1	30A 120/240V Receptacle
14	56281-000	1	20A 240V Receptacle
15	56279-000	2	20A 120V Receptacle

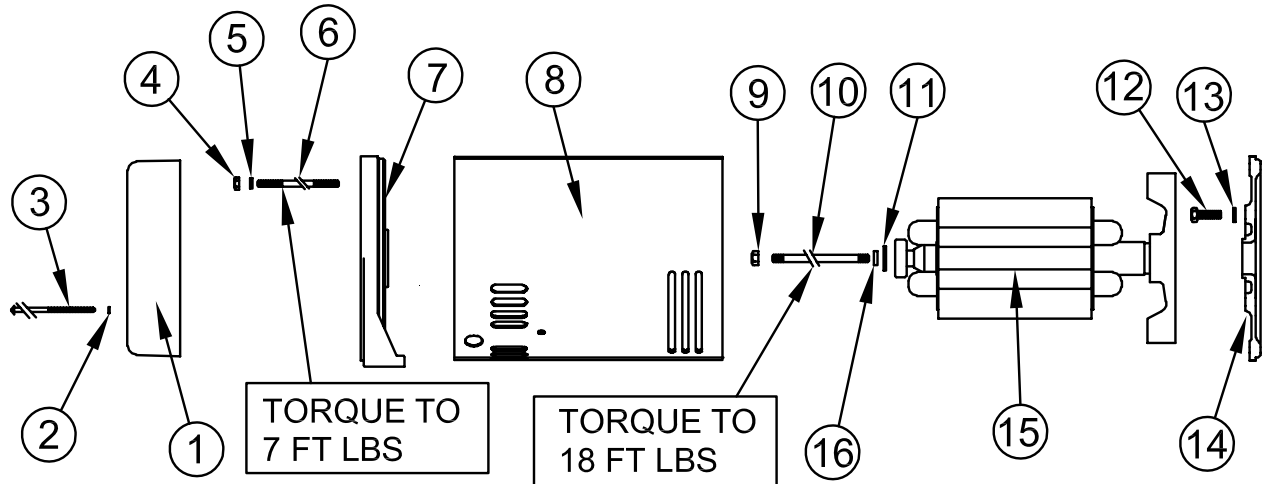
REF #	PART NUMBER	QTY	DESCRIPTION
16	15221-412	1	Breaker End Panel
17	91977-008	1	35A 1-Pole Breaker
18	57030-001	1	20A 2-Pole Breaker
NI	64045-012	3	3 Hole Mounting Strap
NI	64056-010	2	3 Hole Mounting Strap
NI	64045-011	1	4 Hole Mounting Strap
NI	300042	1	Idle Control Module
NI	300109	1	Resistor Assembly
NI	Not Illustrated		

END COVER ASSEMBLY



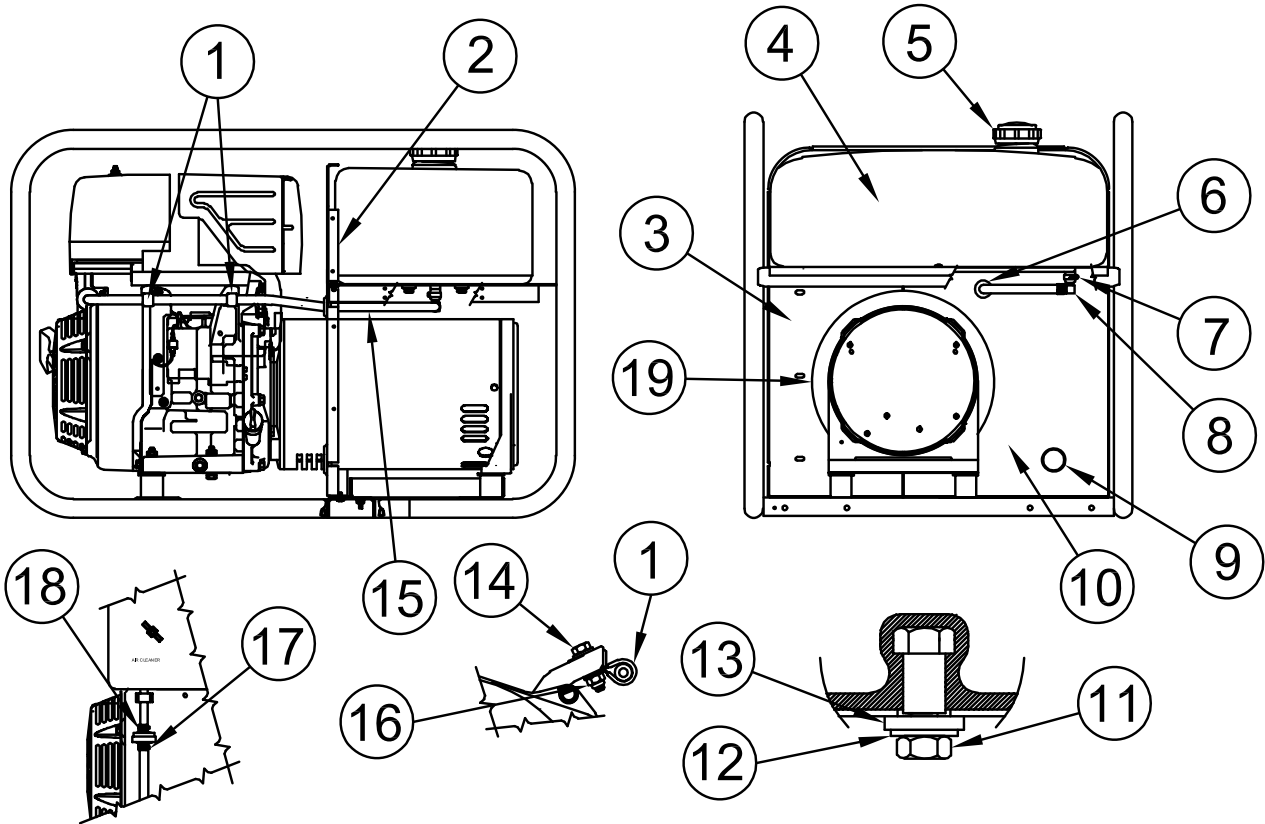
REF #	PART NUMBER	QTY	DESCRIPTION
1	15088-000	1	Capacitor Strap
2	15051-000	2	Capacitor
3	15106-000	1	End Cover

GENERATOR ASSEMBLY



REF #	PART NUMBER	QTY	DESCRIPTION
1	15086-000	1	End Cover Assembly
2	21975-000	4	Lock Washer
3	15013-000	4	Screw
4	15192-000	4	1/4-20 Nut
5	479-000	4	Lock Washer
6	15068-008	4	1/4-20 Bolt / Stud
7	15015-001	1	End Bracket Assembly
8	15091-005	1	Stator Assembly
9	15193-000	1	5/16-24 Nut
10	23197-009	1	5/16-24 Bolt / Stud
11	23558-000	1	Washer
12	91658-003	4	Bolt
13	481-000	4	Lock Washer
14	15008-001	1	Engine Bracket
15	15045-005	1	Rotor Assembly
16	480-001	1	Lock Washer
NI	15047-001	1	Standard Polarity Diode
NI	15047-002	1	Reverse Polarity Diode
NI	15122-000	1	Tolerance Ring - this comes with end bracket
NI	55223-000	1	Bearing on Rotor Assy
NI	Not Illustrated		

FUEL SYSTEM ASSEMBLY



REF #	PART NUMBER	QTY	DESCRIPTION
1	97391-002	2	Cushioned Clamp
2	15462-008	1	Fuel Tank Tray
3	15223-008	1	Left Support Panel
4	64024-000	1	4.5 Gallon Fuel Tank
5	62396-003	1	Fuel Cap with Gauge
6	23917-000	1	Grommet
7	81018-009	1	Clamp
8	56879-000	1	90° Elbow
9	54847-010	1	Hole Plug
10	15222-008	1	Right Support Panel
11	466-000	2	1/4-20 X .75" Bolt
12	512-000	4	1/4" Flat Washer
13	16133-000	2	Leather Washer
14	95281-000	2	1/4-20 X 1.25" Bolt
15	40078-016	1	Fuel Hose
16	16248-000	2	1/4-20 Lock Nut
17	62999-001	2	Fuel Hose Clamp
18	62496-000	1	Fuel Filter
19	15287-001	2	Air Seal

DECALS

REF #	PART NUMBER	QTY	DESCRIPTION
NI	64214-042	1	Winco Decal
NI	15370-007	1	Model Series Decal
NI	15209-000	1	Danger Decal Set
NI	63941-001	1	Hot Warning Decal
NI	15209-100	1	Danger Decal Set (CSA)
NI	91718-000	1	RFI Decal
NI	56813-000	1	Approval Plate
NI	64918-000	2	Carb Monox Danger Decal
NI	64891-002	1	EVP Emissions Decal
NI	Not Illustrated		

WINDING RESISTANCE SPECIFICATIONS

G-1 TO N	0.18 OHMS
G-3 TO N	0.36 OHMS
CAP. LEADS	0.55 OHMS
ROTOR	1.00 OHMS
WINDING SPEC	SS# 1531
AC CONNECTION	AC #367
AC RESIDUAL	
VOLTS	7.0 VAC L-L

WINCO INC[®]
A Division of **DTI** Dyna Technology Inc

225 S. CORDOVA AVE.
LECENTER, MN 56057
507-357-6821
SERVICE DEPT.
507-357-6831