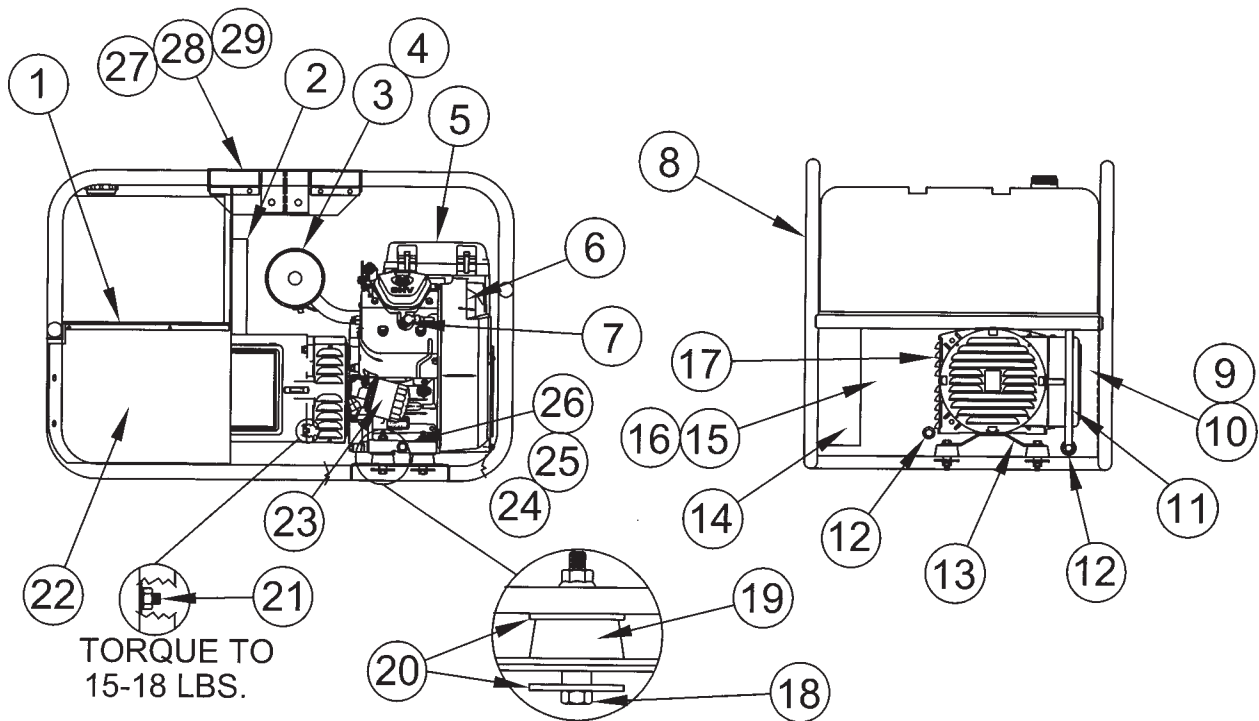


**ILLUSTRATED
PARTS LISTS**

WC12000HE/D

COMPLETE UNIT ASSEMBLY



REF #	PART NUMBER	QTY	DESCRIPTION
1	15462-026	1	Fuel Tray
2	15687-003	1	Heat Shield
3	16067-003	1	Honda Muffler #VHRM4
4	16237-001	1	Spark Arrestor
5	17210-ZJ1-842	1*	Air Filter
6	15959-003	1	Engine, Honda Model GX620UVXE2
7	NGK - ZGR5A-4	2	Spark Plug
8	63073-026	1	Cradle
9	15464-004	1	Generator Divider
10	15287-017	1	Air Seal 24"
11	40078-008	1	Fuel Line
12	23917-000	1	Grommet
13	16335-004	1	Generator Support
14	300146-4	1	Control Box
15	15464-003	1	Generator Divider
16	15287-016	1	Air Seal 15.75"
17	351836-1	1	Generator, Mecc Alte Spa Model S20FS-160/A
18	91658-014	4	Bolt, 3/8" - 16 X 3 1/2"
19	98807-000	6	Shock Mount

COMPLETE UNIT ASSEMBLY

REF #	PART NUMBER	QTY	DESCRIPTION
20	98806-000	10	2" O.D. X .406" I.D. Flat Washer
21	16446-000	4	M8 X 1.25 Nylok Hex Nut
22	98101-009	1	Side Panel
23	15400-PLM-A01PE	1*	Oil Filter
24	300349-1	1	Oil Drain Adapter
25	16456-005	1	3/8" X 3" Pipe Nipple
26	21858-000	1	3/8" NPT Pipe Cap
27	300149-2	4	Cradle Lifting Support
28	300148-3	2	Lifting Eye
29	300147-3	2	Lifting Eye Support
*	Honda Part Number		

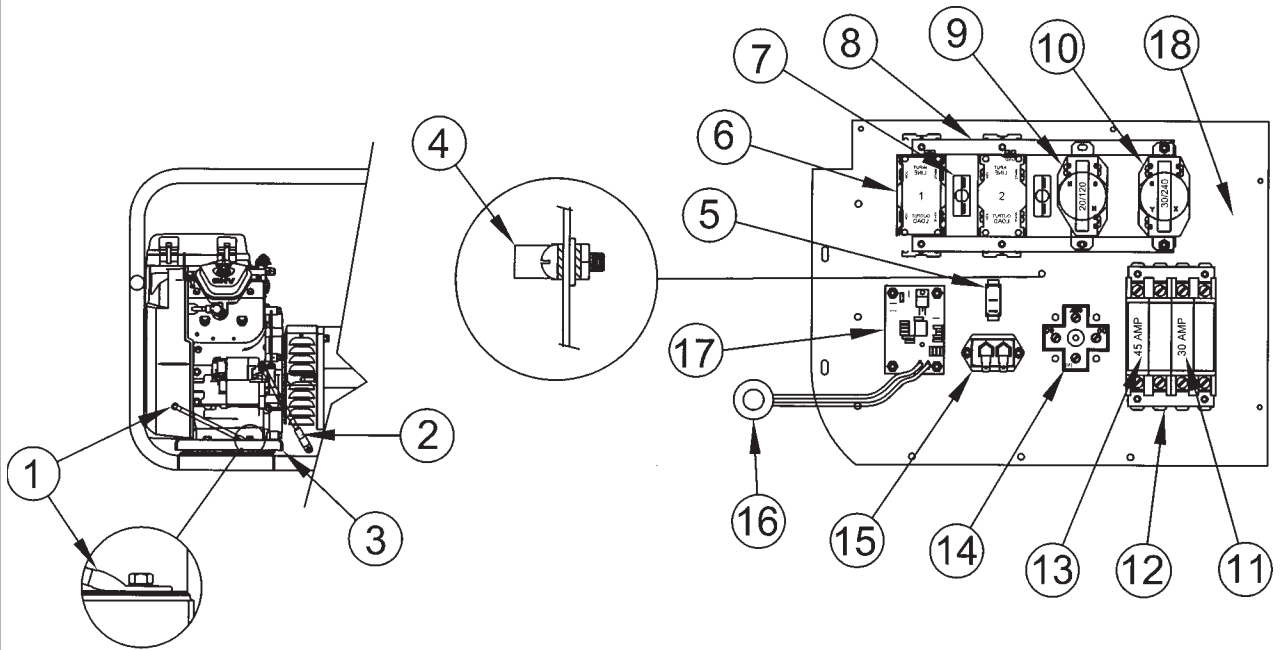
GENERATOR END PARTS NOT ILLUSTRATED

NI	300323-112	2	Capacitor, 31.5 mf, 425V
NI	300323-208	2	Varistor
NI	300323-207	2	Diode
NI	300330-410	1	Terminal Box Adapter
NI	54665-000	1	Bearing
NI	300323-110	1	Tolerance Ring
NI	300323-211	1	Rubber Cap

GENERATOR SPECIFICATIONS

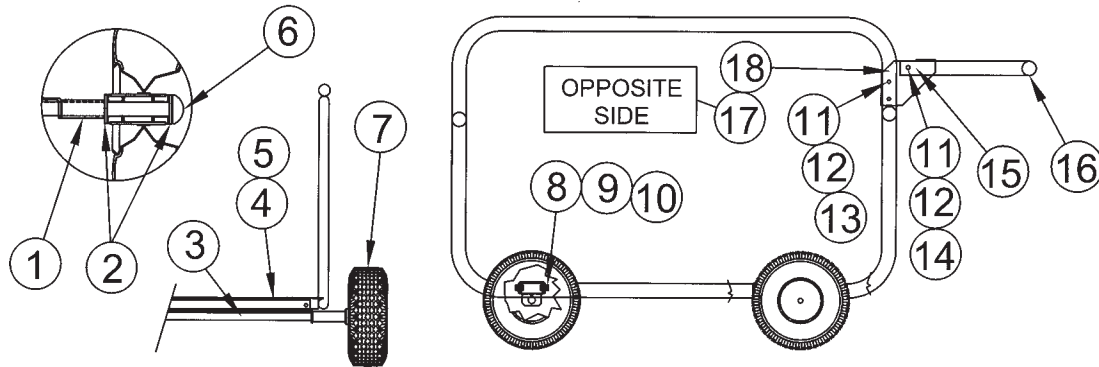
Rotor	6.57 Ohms
Stator	0.209 Ohms
Excitation	0.60 Ohms

BATTERY/CONTROL BOX ASSEMBLY



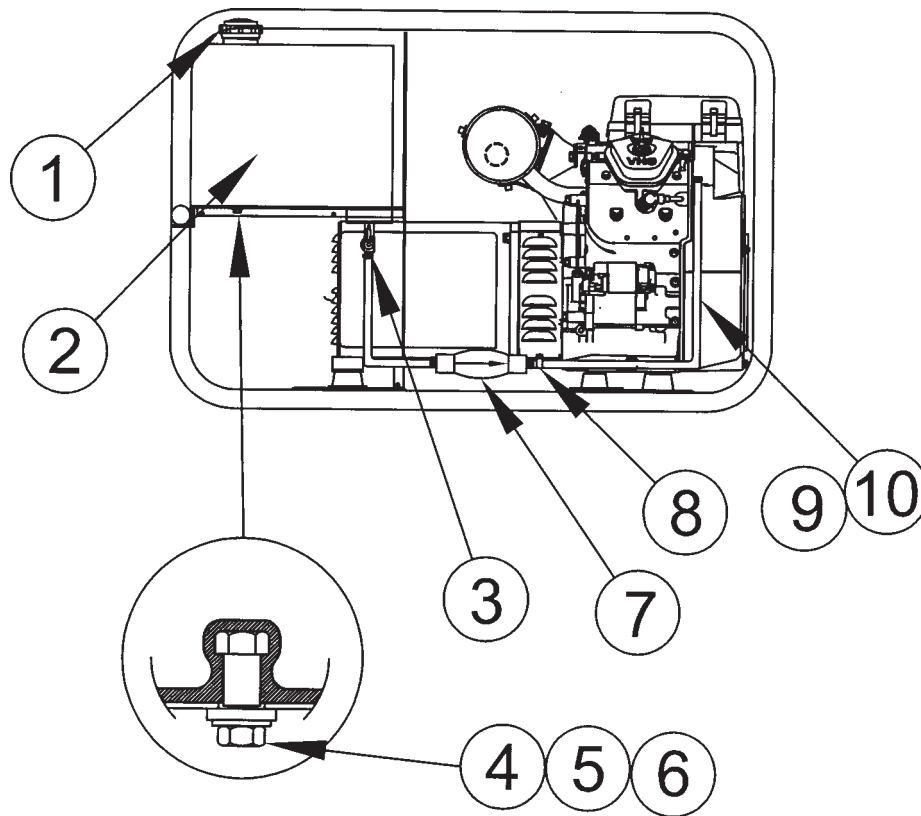
REF #	PART NUMBER	QTY	DESCRIPTON
1	15767-021	1	Negative Battery Cable
2	15767-010	1	Positive Battery Cable
3	15676-008	1	Battery Tray
4	48042-001	1	Ground Lug
5	64089-000	1	Switch
6	15147-001	2	20A, 120V, GFCI Receptacle
7	91286-001	2	20A Circuit Breaker
8	64045-001	2	Mounting Strap
9	56279-000	1	20A, 120V, Twist Lock Rcpt.
10	57324-000	1	30A, 240V, Twist Lock Rcpt.
11	57030-002	1	30A, 240V, Circuit Breaker
12	64045-009	2	Mounting Strap
13	57030-007	1	45A, 240V, Circuit Breaker
14	300136	1	60A Receptacle
15	58166-001	1	Running Time Meter
16	16385-000	1	Idle Control Transformer
17	300042-1	1	Idle Control Module
18	99055-411	1	Front Control Panel
NI	300143	1	Battery Hold Down Kit
NI	Not Illustrated		

INDUSTRIAL DOLLY KIT ASSEMBLY



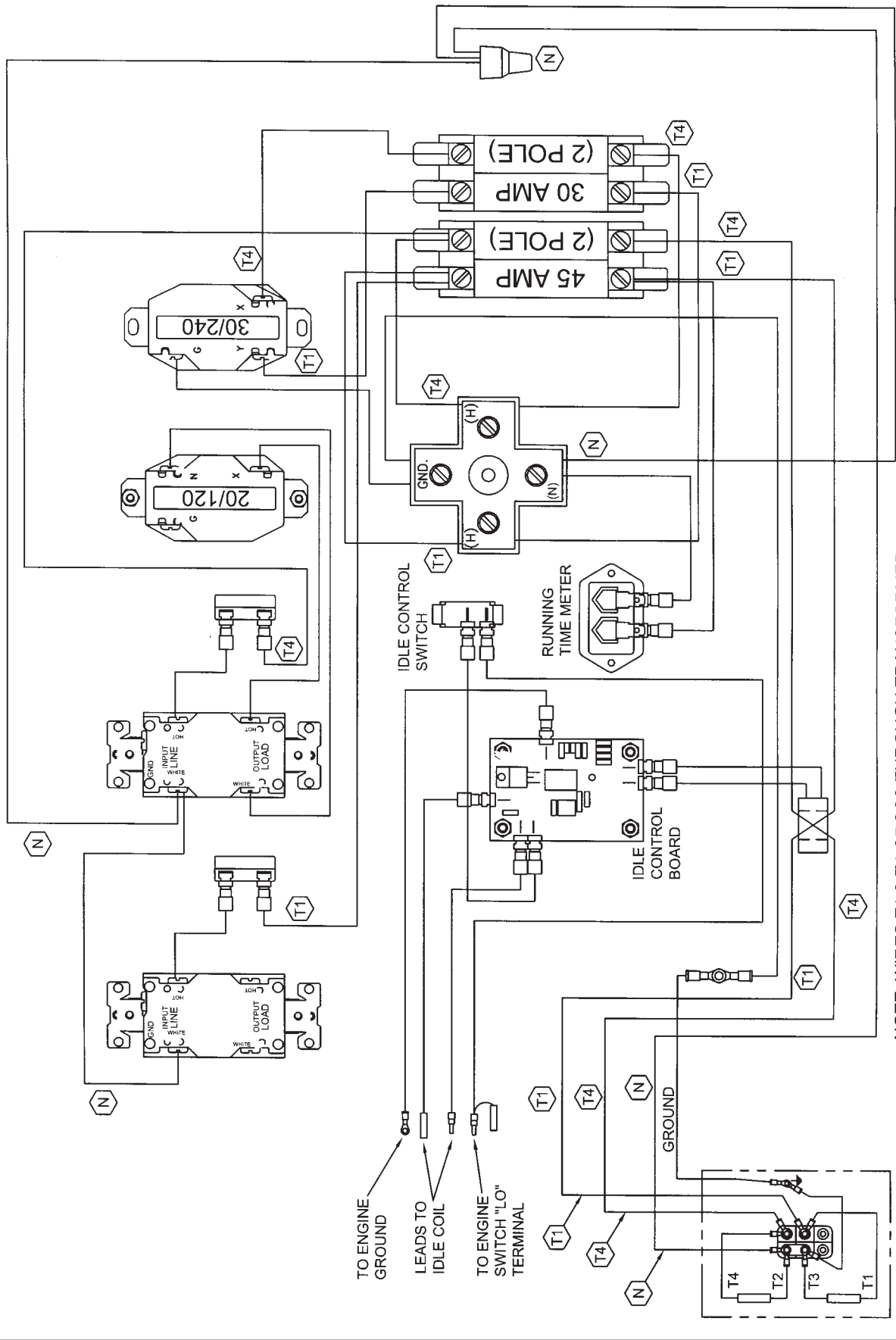
REF #	PART NUMBER	QTY	DESCRIPTION
1	64688-007	4	Axle Stub
2	1178-000	8	Flat Washer 1 - 3/8"
3	64326-017	2	Axle
4	15775-006	1	Rear Axle Bracket
5	15775-007	1	Front Axle Bracket
6	64327-000	4	Hubcap
7	43657-001	4	Tire & Hub
8	458-000	8	Hex Nut 5/16" - 18
9	480-000	8	Lock Washer 5/16" - 18
10	465-000	8	HHCS 5/16" - 18 X 3/4"
11	479-000	6	Lock Washer 1/4"
12	47517-000	6	Hex Nut 1/4" - 20
13	56842-004	4	Carriage Bolt 1/4" - 20 X 1-3/4"
14	56842-005	2	Carriage Bolt 1/4" - 20 X 2"
15	96286-006	2	Nylon Washer 1/4" X 1-1/4"
16	61857-004	1	Handle
17	300066-403	1	Right Handle Support
18	300066-404	1	Left Handle Support

FUEL SYSTEM ASSEMBLY



REF #	PART NUMBER	QTY	DESCRIPTION
1	62396-006	1	Fuel Cap
2	16316-001	1	Fuel Tank
3	Supplied with Tank	1	1/4 Turn Shut - Off Valve
4	91658-011	4	3/8" - 16 X 3/4" Hex Head Bolt
5	20604-000	4	Flat Washer
6	16133-001	4	3/8" I.D. Leather Washer
7	62391-000	1	Primer Bulb
8	48039-008	2	Hose Clamp
9	40078-008	1	Fuel Line 24"
10	62999-001	4	1/4" Hose Clamps

CONTROL PANEL WIRING DIAGRAM

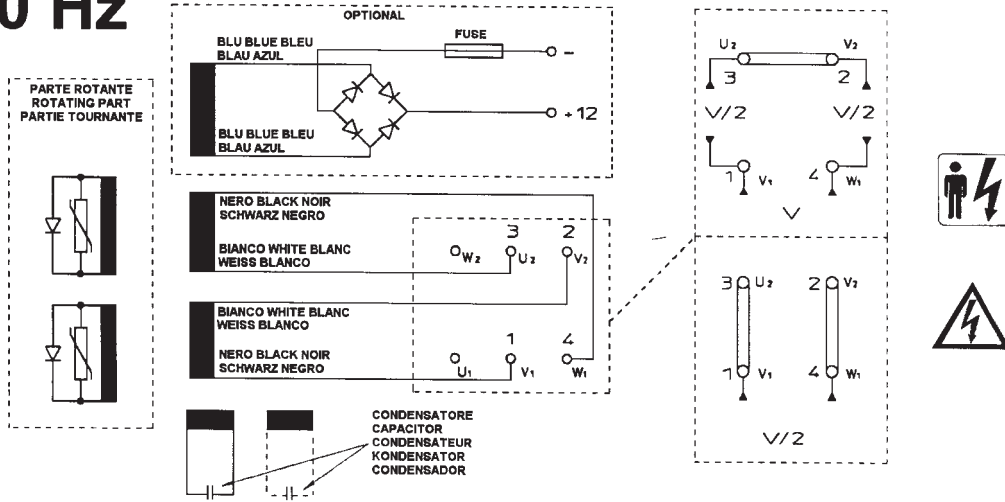


NOTE: WIRES T1 & T4 CROSS THROUGH TRANSFORMER

GENERATOR CONNECTION

GENERATOR WIRING DIAGRAM

60 Hz



WINGO INC
 A Division of **DTE** Dyna Technology Inc
 225 South Cordova Avenue
 Le Center MN 56057
 507-357-6831