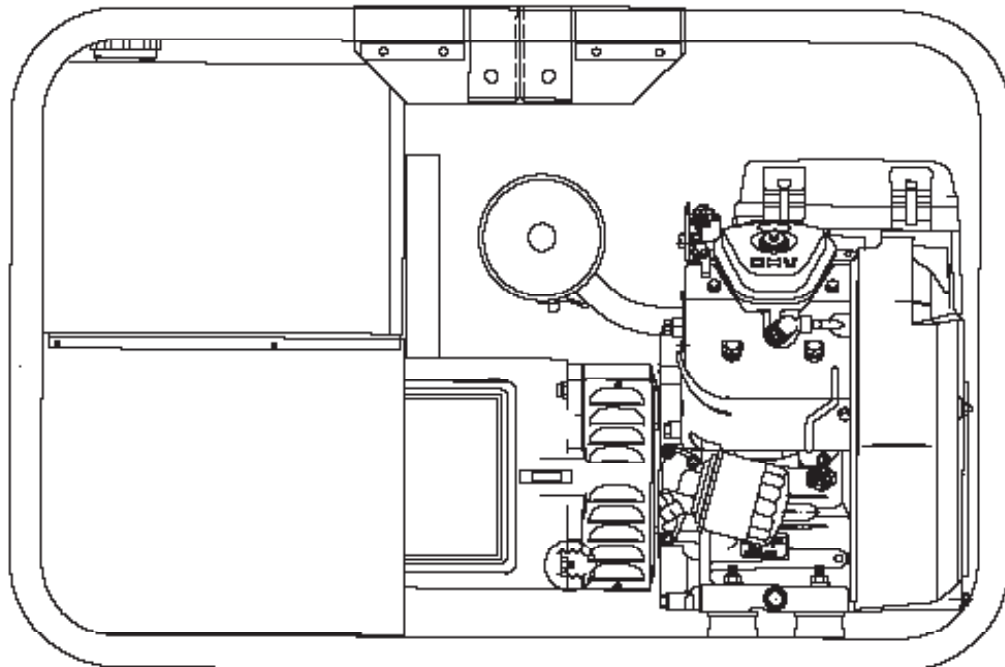
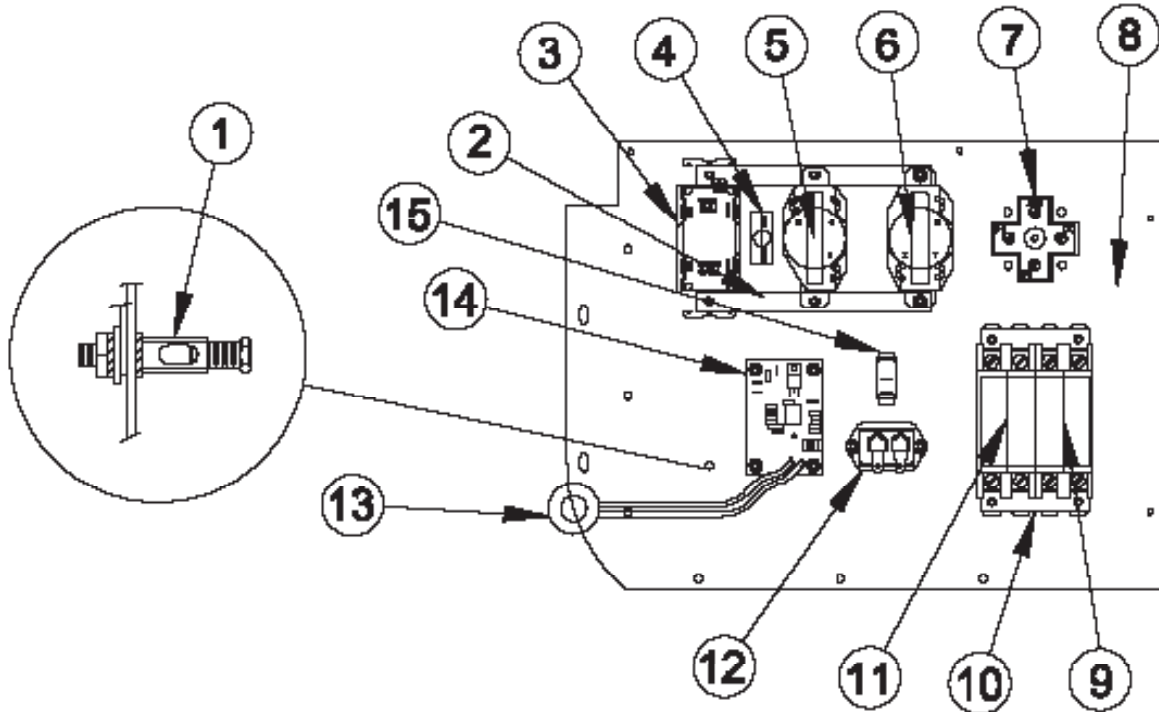


## ILLUSTRATED PARTS LIST

**WC12000HE/B**  
**WC12000HE/C**

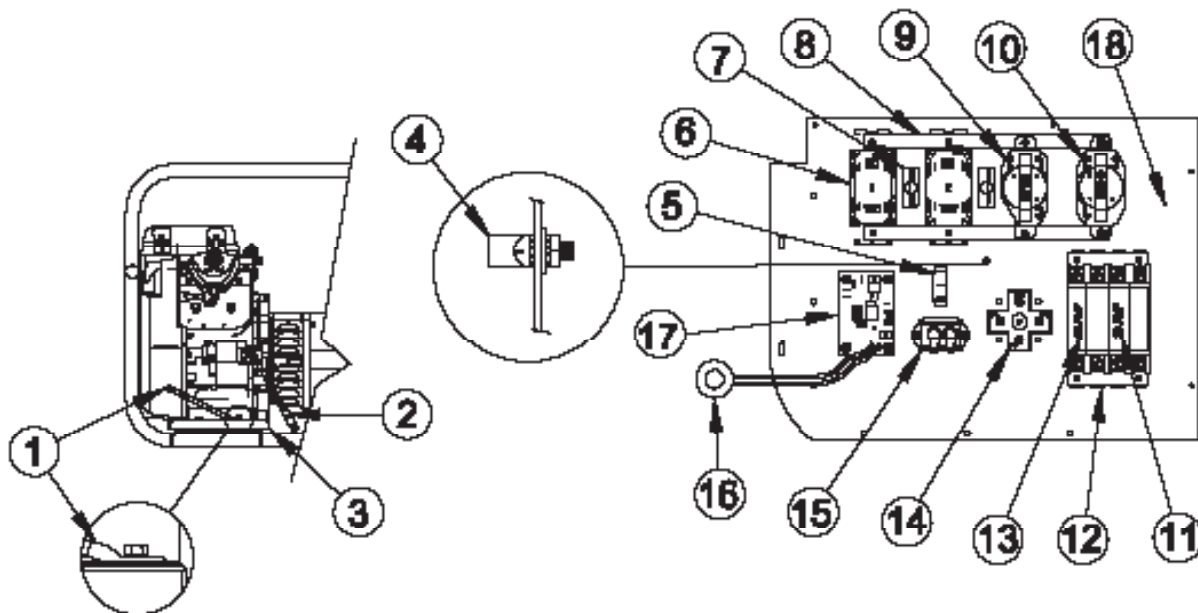


# CONTROL PANEL ASSEMBLY WC12000HE/B



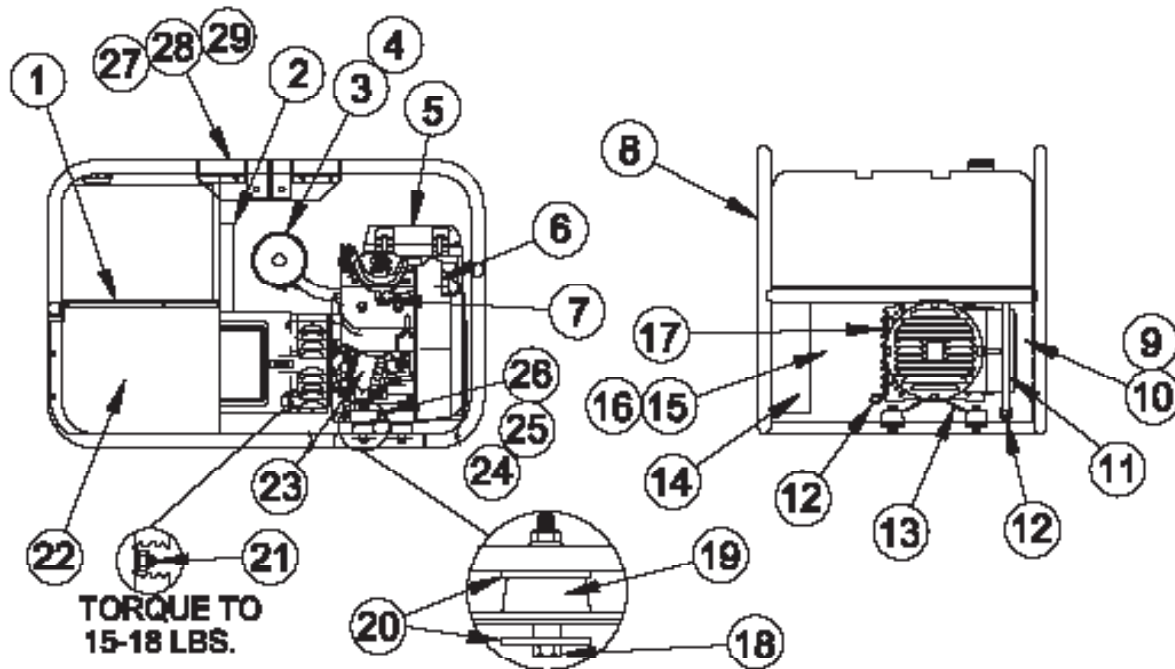
REF #	PART NUMBER	QTY	DESCRIPTION
1	64833-000	1	Ground Lug
2	64045-006	2	Mounting Strap
3	15147-001	1	20A, 120V, GFCI Receptacle
4	91286-001	1	20A Circuit Breaker
5	56279-000	1	20A, 120V, Twist Lock Rcpt.
6	57324-000	1	30A, 240V, Twist Lock Rcpt.
7	300136	1	60A Receptacle
8	99055-006	1	Front Control Panel
9	57030-002	1	30A, 240V, Circuit Breaker
10	64045-009	2	Mounting Strap
11	57030-007	1	45A, 240V, Circuit Breaker
12	58166-001	1	Running Time Meter
13	16385-000	1	Idle Control Transformer
14	300042-1	1	Idle Control Module
15	64089-000	1	Switch

# CONTROL PANEL ASSEMBLY WC12000HE/C



REF #	PART NUMBER	QTY	DESCRIPTION
1	15767-021	1	Negative Battery Cable
2	15767-010	1	Positive Battery Cable
3	15676-008	1	Battery Tray
4	48042-001	1	Ground Lug
5	64089-000	1	Switch
6	15147-001	2	20A, 120V, GFCI Receptacle
7	91286-001	2	20A Circuit Breaker
8	64045-001	2	Mounting Strap
9	56279-000	1	20A, 120V, Twist Lock Rcpt.
10	57324-000	1	30A, 240V, Twist Lock Rcpt.
11	57030-002	1	30A, 240V, Circuit Breaker
12	64045-009	2	Mounting Strap
13	57030-007	1	45A, 240V, Circuit Breaker
14	300136	1	60A Receptacle
15	58166-001	1	Running Time Meter
16	16385-000	1	Idle Control Transformer
17	300042-1	1	Idle Control Module
18	99055-411	1	Front Control Cover
NI	300143	1	Battery Hold Down Kit
NI	Not Illustrated		

# COMPLETE UNIT ASSEMBLY



REF #	PART NUMBER	QTY	DESCRIPTION
1	15462-026	1	Fuel Tray
2	15687-003	1	Heat Shield
3	16067-003	1	Honda Muffler #VHRM4
4	16237-001	1	Spark Arrestor
5	17210-ZJ1-842	1*	Air Filter
6	15959-003	1	Engine, Honda Model GX620UVXE2
7	NGK - ZGR5A-4	2	Spark Plug
8	63073-026	1	Cradle
9	15464-004	1	Generator Divider
10	15287-017	1	Air Seal 24"
11	40078-008	1	Fuel Line
12	23917-000	1	Grommet
13	16335-004	1	Generator Support
14	300146-4	1	Control Box
15	15464-003	1	Generator Divider
16	15287-016	1	Air Seal 15.75"
17	300323-2	1	Generator, Mecc Alte Spa Model MR2-200/2

REF #	PART NUMBER	QTY	DESCRIPTION
18	91658-014	4	Bolt, 3/8" - 16 X 3 1/2"
19	98807-000	6	Shock Mount
20	98806-000	10	2" O.D. X .406" I.D. Washer
21	16446-000	4	M8 X 1.25 Nylok Hex Nut
22	98101-005	1	Side Panel
23	15400-PLM-A01PE	1*	Oil Filter
24	300349-1	1	Oil Drain Adapter
25	16456-005	1	3/8" X 3" Pipe Nipple
26	21858-000	1	3/8" NPT Pipe Cap
27	300149-2	4	Cradle Lifting Support
28	300148-3	2	Lifting Eye
29	300147-3	2	Lifting Eye Support
* Honda Part Number			

#### GENERATOR END PARTS NOT ILLUSTRATED

NI	300323-212	2	Capacitor, 35 mf, 425V
NI	300323-208	2	Varistor
NI	300323-207	2	Diode
NI	300330-410	1	Terminal Box Adapter
NI	54665-000	1	Bearing
NI	300323-110	1	Tolerance Ring
NI	300323-211	1	Rubber Cap

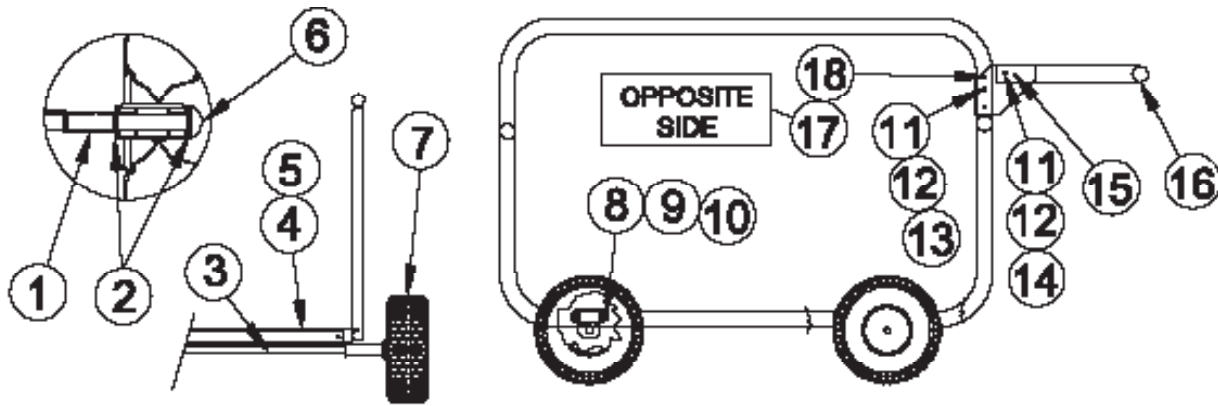
#### GENERATOR SPECIFICATIONS

#### RESISTANCE VALUES

ROTOR	STATOR	EXCITATION
5.23Ω	0.075Ω	1.05Ω

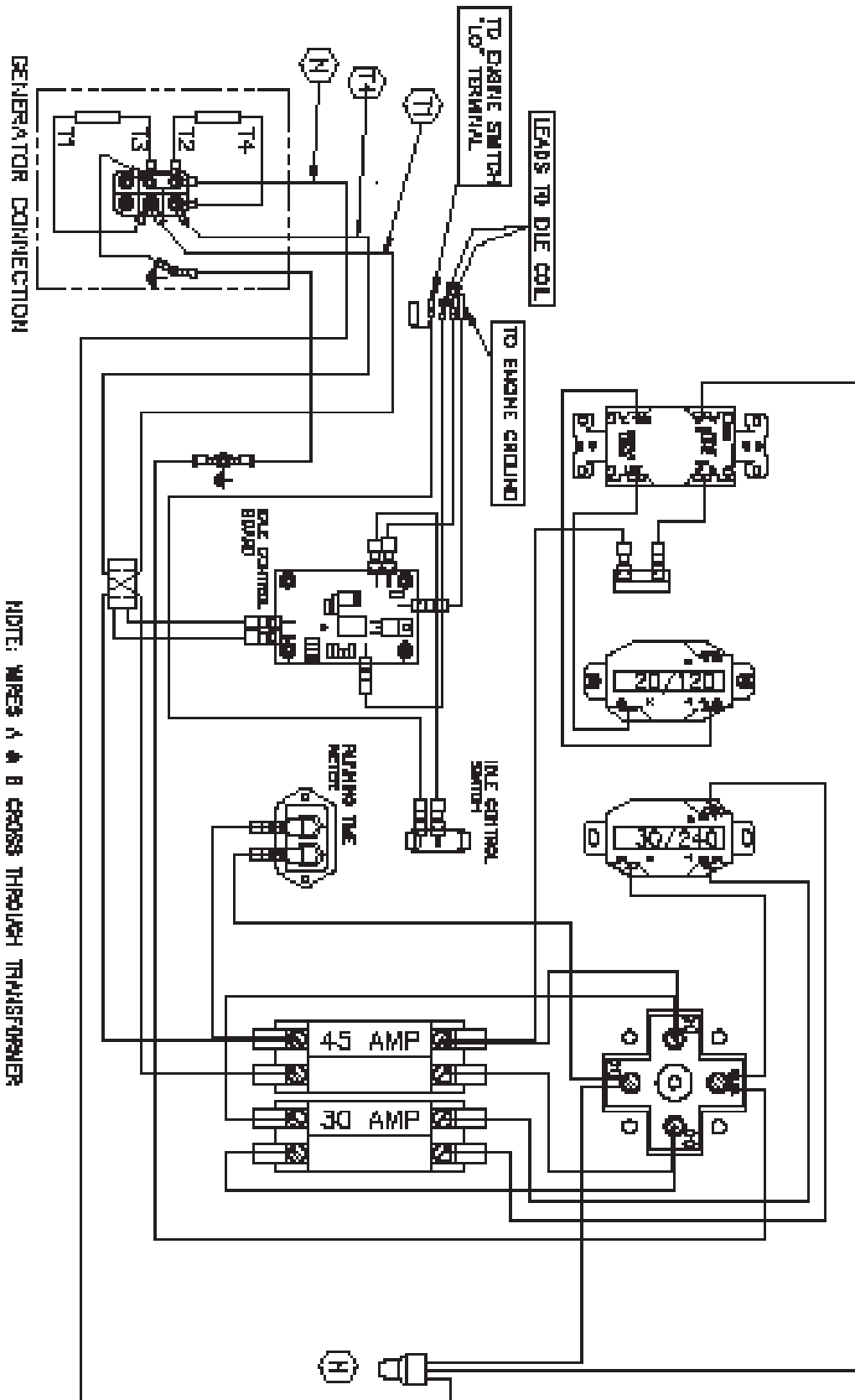
MECC ALTE SPA GENERATOR END MANUAL  
CAN BE FOUND AT [meccalte.com](http://meccalte.com).

# INDUSTRIAL DOLLY KIT



REF #	PART NUMBER	QTY	DESCRIPTION
1	64688-007	4	Axle Stub
2	1178-000	8	Flat Washer 1 - 3/8"
3	64326-020	2	Axle
4	15775-007	1	Rear Axle Bracket
5	15775-005	1	Front Axle Bracket
6	64327-000	4	Hubcap
7	43657-003	4	Tire & Hub
8	458-000	8	Hex Nut 5/16" - 18
9	480-000	8	Lock Washer 5/16" - 18
10	467-000	8	HHCS 5/16" - 18 X 3/4"
11	479-000	6	Lock Washer 1/4"
12	93773-000	6	Acorn Nut 1/4" - 20
13	56842-004	4	Carriage Bolt 1/4" - 20 X 1-3/4"
14	56842-005	2	Carriage Bolt 1/4" - 20 X 2"
15	96286-006	2	Nylon Washer 1/4" X 1-1/4"
16	61857-003	1	Handle
17	300066-403	1	Right Handle Support
18	300066-404	1	Left Handle Support
NI	93402-002	2	1.25" Hole Plug
NI	Not Illustrated		

# WIRING DIAGRAM WC1200HE/B



NOTE: WIRES A & B CROSS THROUGH TRANSFORMER

# WIRING DIAGRAM WC1200HE/C

