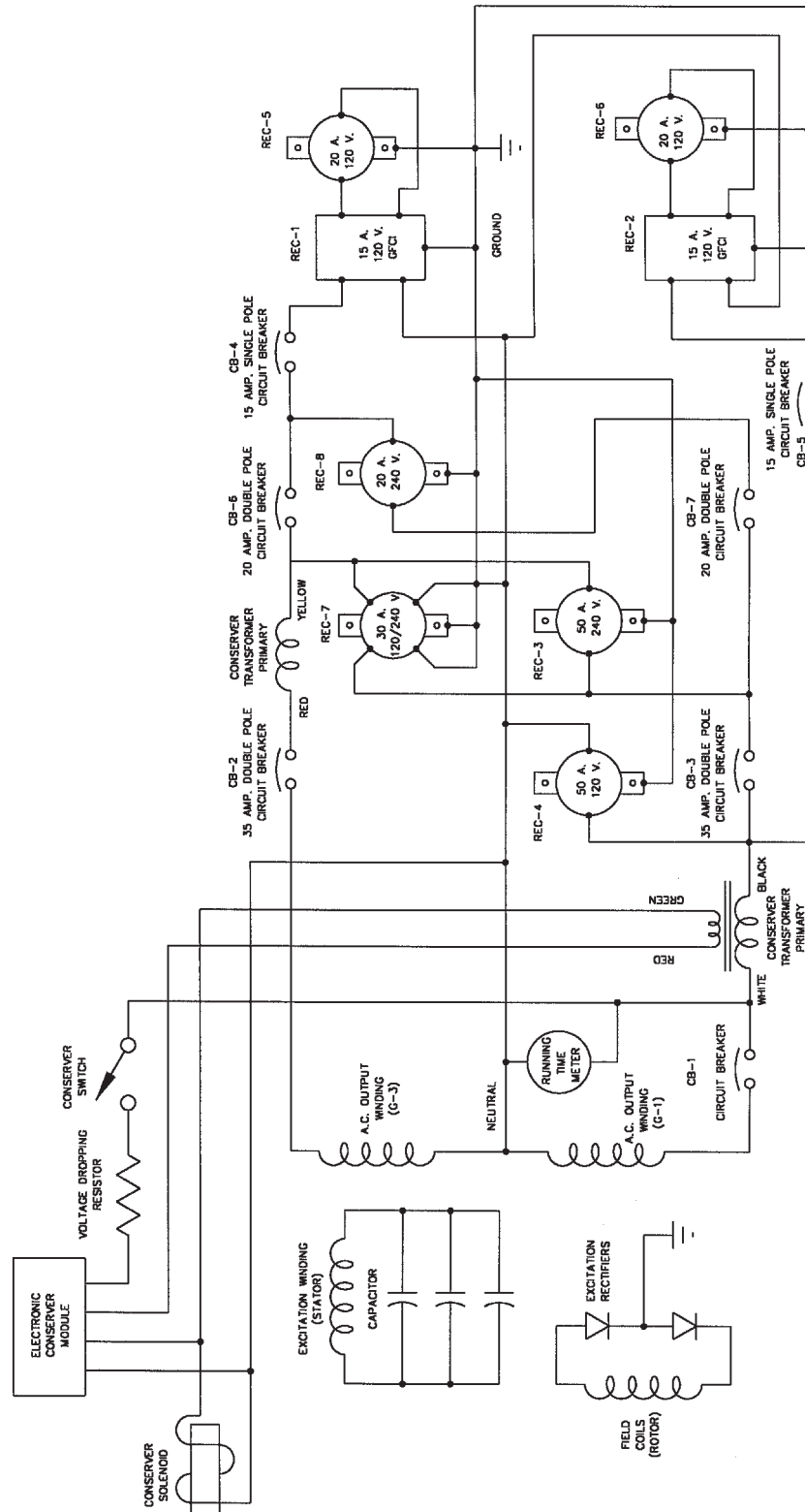


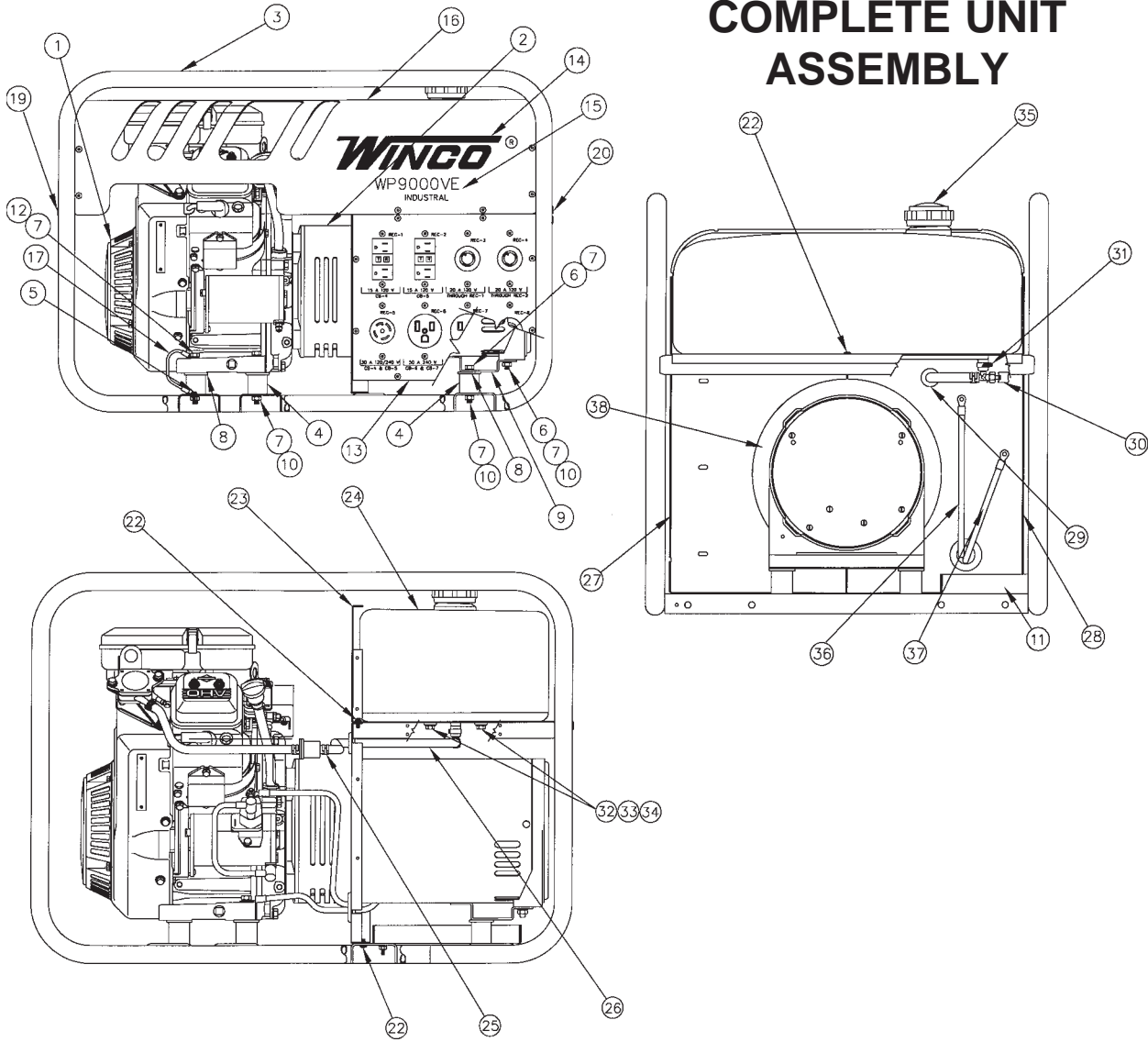
MODEL WC9000E/B



WIRING SCHEMATIC

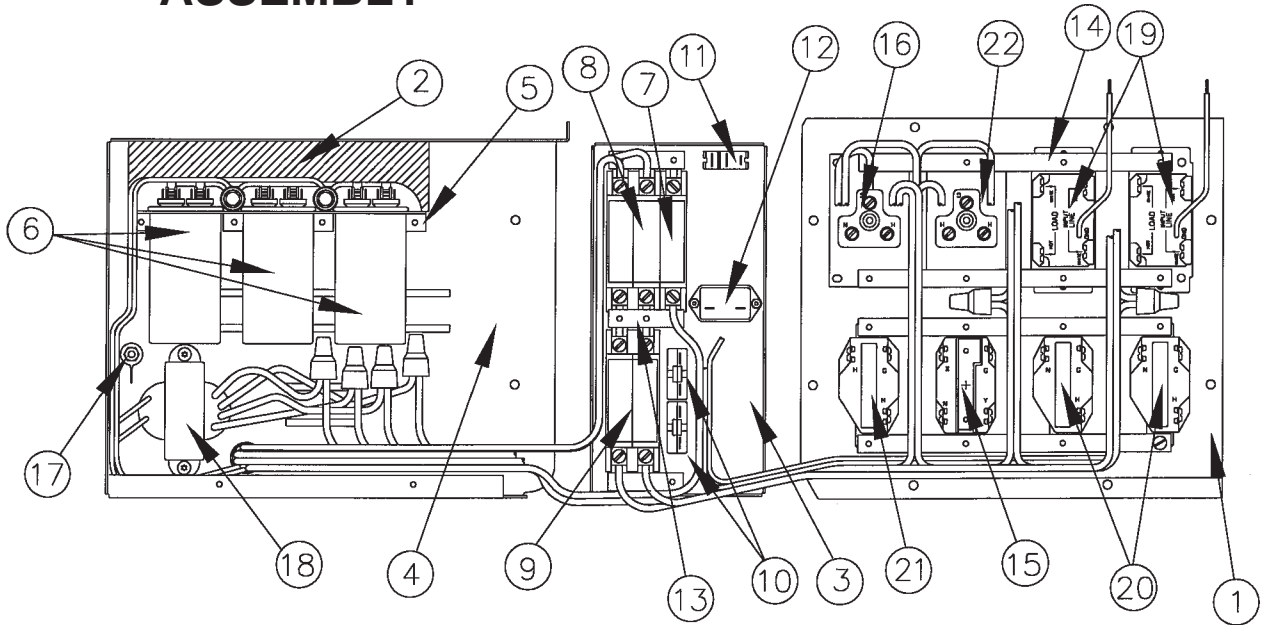


COMPLETE UNIT ASSEMBLY



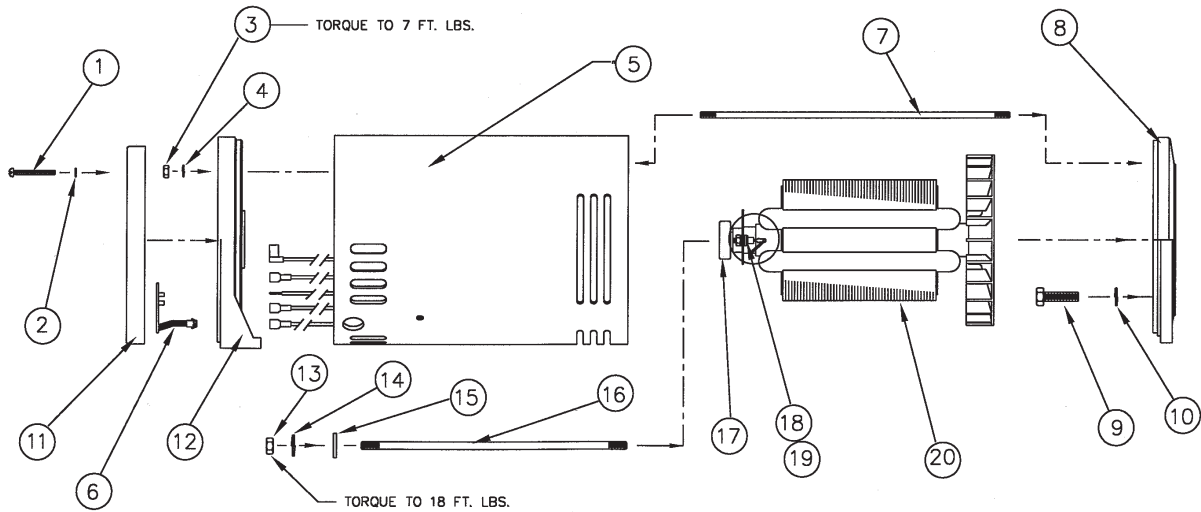
REF	PART NBR	QTY	DESCRIPTION	REF	PART NBR	QTY	DESCRIPTION
1	15456-000	1	Engine	23	15462-007	1	Fuel Tank Tray
2	15041-009	Ref.	Generator Unassembled	24	64024-000	1	4.5 Gallon Fuel Tank
3	63073-005	1	Cradle	25	62999-001	2	Hose Clamp
4	64062-000	6	Shockmounts	26	40078-000	26"	Fuel Hose
5	21698-001	1	#10 X 3/8 Self Tapping Screw	27	15223-007	1	Left Support Panel
6	580-000	2	5/16-18 X 1.25 Hex HD Bolt	28	15222-007	1	Right Support Panel
7	480-000	14	5/16 Split Lockwasher	29	56927-000	2	Grommet
8	23760-001	6	1.50 O.D. X .344 I.D. Flat Washer	30	98771-000	1	Fuel Line Valve
9	15084-000	1	Generator Support Bracket	31	81018-008	1	Clamp
10	458-000	8	5/16 Hex Nut	32	466-000	2	1/4-20 X .75 Hex HD Bolt
11	15676-001	1	Battery Tray	33	512-000	2	1/4 Flat Washer
12	9416-000	6	5/16-18 X 1.75 Hex HD Bolt	34	16133-000	2	3/4 O.D. X 1/4 I.D. X 1/8 Flat Washer
13	15457-015	1	Receptacle Box	35	62396-003	1	Fuel Cap
14	64214-042	2	WINCO Decal	36	15767-007	1	Neg. Battery Cable
15	15370-010	2	Model Decal	37	15767-006	1	Pos. Battery Cable
16	15227-005	1	Top Cover	38	15287-000	30"	Air Seal
17	9769-145	1	Ground Wire Assembly	NI	64198-000	1	Spark Arrestor
19	15144-003	1	Engine End Baffle	NI	63941-001	1	Hot Warning Decal
20	15144-001	1	Generator End Baffle	NI	15209-000	1	Danger Decal Set
22	21698-001	9	#10 X 3/8 Self Tapping Screw				

RECEPTACLE BOX ASSEMBLY



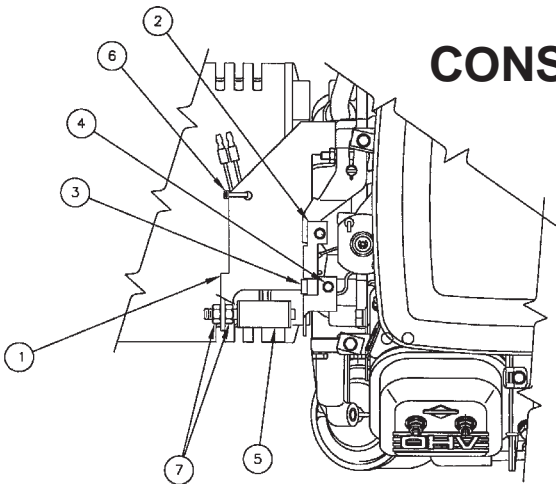
REF	PART NBR	QTY	DESCRIPTION
1	15458-014	1	Front Panel, Bare
2	15167-000	1	Foam 3" X 24"
3	15221-015	1	Circuit Breaker Panel
4	15221-014	1	Bottom, Top & Back Panel
5	15226-000	1	Capacitor Clamp
6	15051-000	3	Capacitor
7	91977-006	1	45A. 120V. Circuit Breaker
8	57030-003	1	35A. 240V. Circuit Breaker
9	57030-001	1	20A. 240V. Circuit Breaker
10	91286-000	2	15A. 120V. Circuit Breaker
11	64089-000	1	Rocker Switch
12	58166-001	1	Running Time Meter
13	64045-012	1	Mounting Strap
14	64045-001	1	Mounting Strap
15	97360-000	1	30A. 120/240V. Receptacle (L14-30R)
16	54545-000	1	50A. 120V. Receptacle (5-50R)
17	80132-003	1	Resistor 25 Watts, 250 OHMS
18	63104-000	1	Transformer
19	15147-002	2	15A. 120V. GFCI Duplex (5-15R)
20	56279-000	2	20A. 120V. Receptacle (L5-20R)
21	56281-000	1	20A. 240V. Receptacle (L6-20R)
22	57325-000	1	50A. 240V. Receptacle (6-50R)

GENERATOR PARTS LIST



REF	PART NBR	QTY	DESCRIPTION	REF	PART NBR	QTY	DESCRIPTION
1	15013-001	4	#10-32 X 1.75 Screw	11	15085-000	1	End Cover
2	21975-000	4	#10 Lockwasher	12	15156-003	1	Bearing Brkt
3	15192-000	4	1/4-20 Hex Nut	13	15193-000	1	5/16-20 Hex Nut
4	479-000	4	1/4 Lockwasher	14	480-001	1	5/16 Lockwasher
5	15091-006	1	Stator	15	23558-000	1	11/32 x 1 1/8 Flat Washer
6	15110-000	1	Conservor Module	16	23197-028	1	1/16 X 12 1/8 Thru Bolt
7	15068-010	4	1/4-20 Stator Bolt	17	50215-000	1	Bearing
8	15008-000	1	Engine Mtg Brkt	18	15255-001	1	Diode (std)
9	91658-003	4	3/8-16 X 1.5 Cap Screw	19	15255-002	1	Diode (rev)
10	481-000	4	3/8 Lockwasher	20	15045-009	1	Rotor, Complete

CONSERVOR MAGNET MOUNTING



PARTIAL TOP VIEW OF ENGINE

REF	PART NBR	QTY	DESCRIPTION
1	15270-000	1	Mounting Bracket
2	15291-000	1	Conservor Lever
3	62309-000	1	Clamp
4	55556-000	2	#8-32 X 3/8 Screw
5	15182-000	1	Conservor Magnet
6	49975-010	1	Cable Tie
7	44894-000	2	5/16-24 Jam Nut

GENERATOR SPECIFICATIONS

Rotor	0.73 Ohms
G1 to N	0.125 Ohms
G3 to N	0.125 Ohms
Capacitor Leads	0.23 Ohms
AC Residual Voltage	7.0 VAC G1 to G3
Winding Spec.	SS#1538
AC Connection	AC#367

WINGO INC
 A Division of **DT** Dyna Technology Inc
 225 South Cordova Avenue
 Le Center MN 56057
 507-357-6831