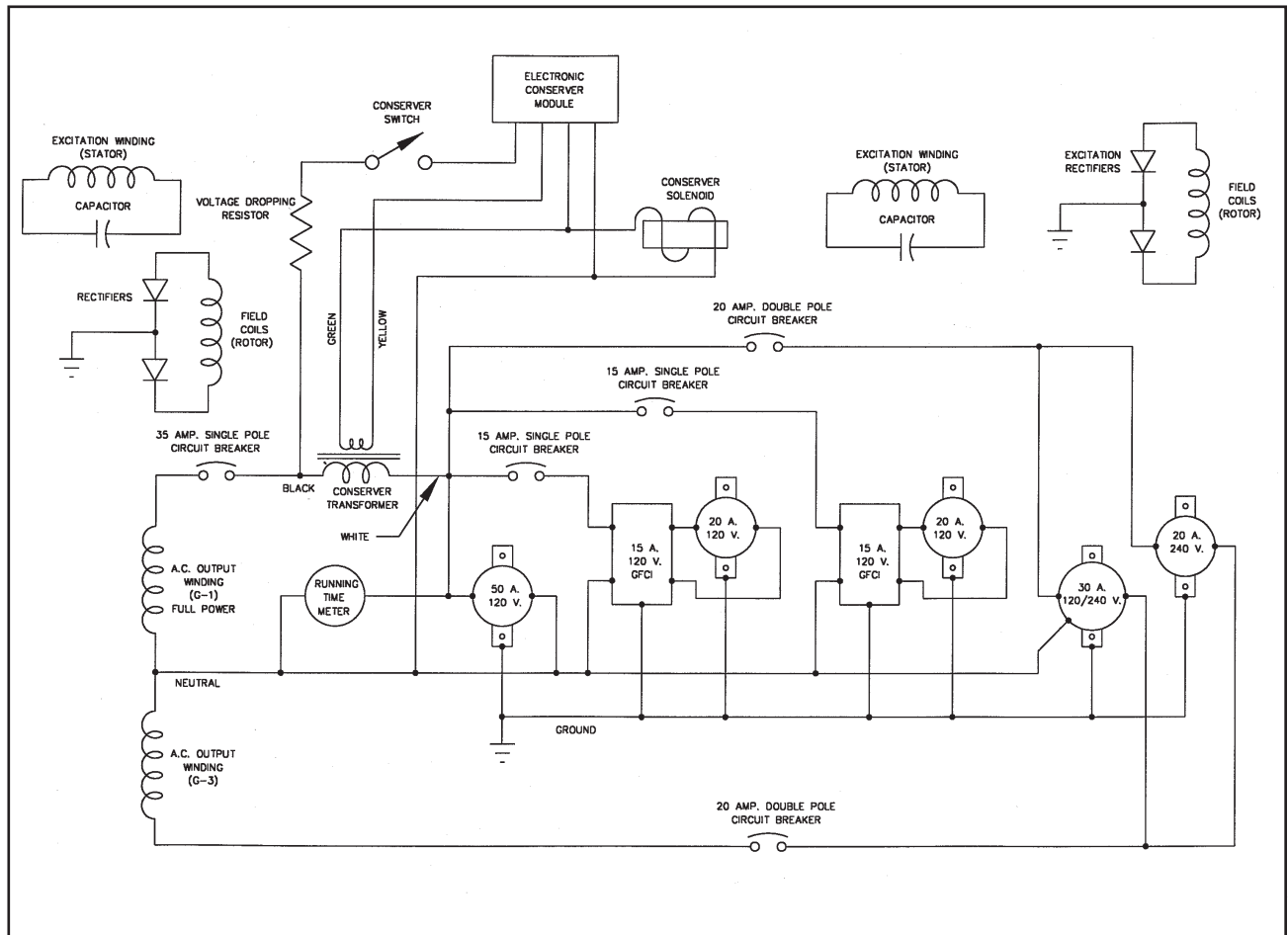


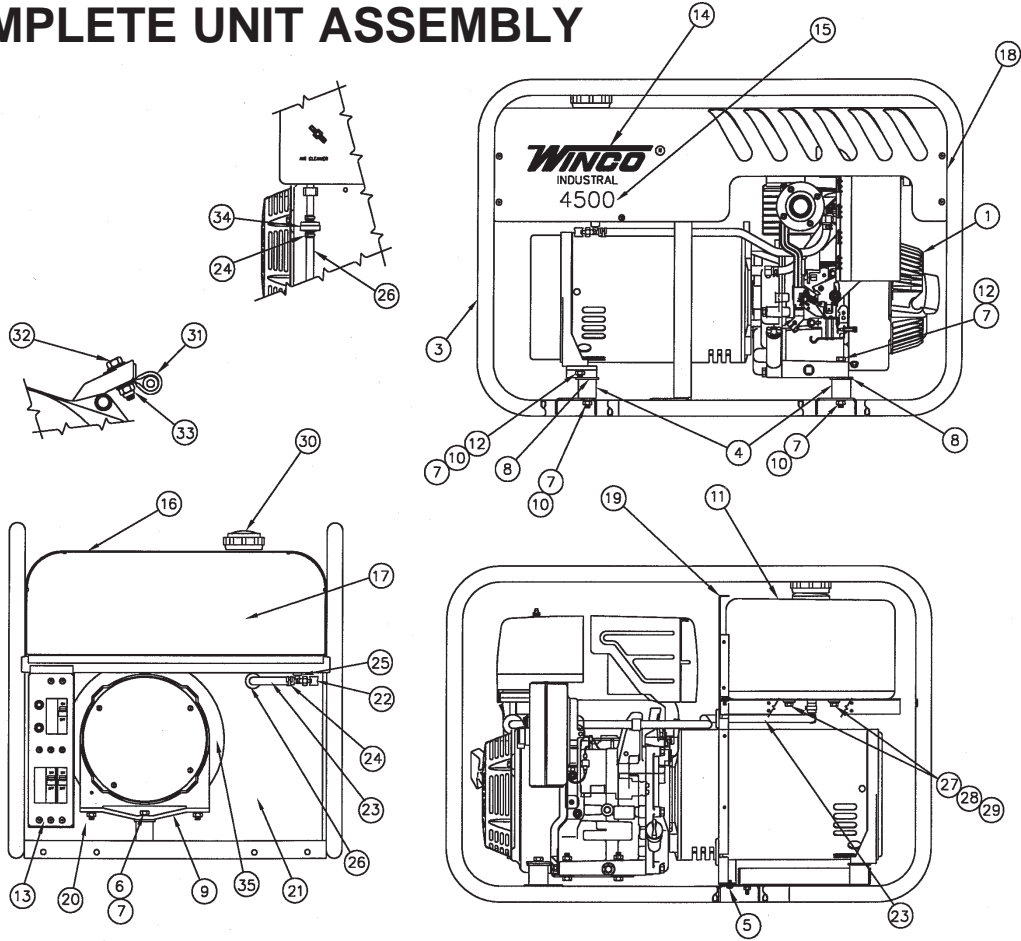
## MODEL WC4500/A WC5000H/A



### GENERATOR SPECIFICATIONS

G1 TO NEUTRAL	0.18 OHMS
G3 TO NEUTRAL	0.36 OHMS
"Q" WINDING	0.55 OHMS
ROTOR	1.00 OHMS
WINDING SPEC.	SS#1531
AC CONNECTION	AC#367
AC RESIDUAL VOLTS	7.0 VAC L-L

# COMPLETE UNIT ASSEMBLY

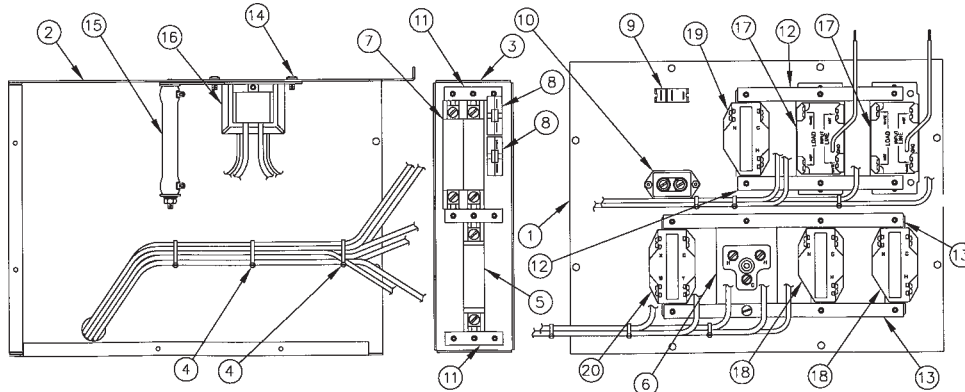


REF	WC500H/A PARTNBR	QTY	DESCRIPTION	WC4500/A PART NBR	QTY
1	15542-001	1	Engine Honda GX270VW12	N/A	0
	N/A	0	Engine B&S 196432-1073-E2	16089-002	1
2	15041-012	REF	Generator Unassembled	15041-012	REF
3	63073-006	1	Cradle	63073-006	1
4	64062-000	3	Shockmounts	64062-000	3
5	21698-001	15	#10 X 3/8 Self Tapping Screw	21698-001	15
6	467-000	1	5/16-18 Hex Head Cap Screw	467-000	1
7	480-000	9	5/16 Lockwasher	480-000	9
8	23760-001	3	1.5 O.D. X .344 I.D. Flat Washer	23760-001	3
9	15039-000	1	Generator Support Bracket	15039-000	1
10	458-000	6	5/16-18 Hex Nut	458-000	6
11	64024-000	1	4.5 Gallon Fuel Tank	64024-000	1
12	9416-000	4	5/16-18 Hex Head Cap Screw	9416-000	4
13	16176-006	REF	Receptacle Box Assembly	16176-006	REF
14	64214-042	1	WINCO, Industrial Decal	64214-042	1
15	15370-007	1	Model Decal	15370-006	1
16	15227-010	1	Top Cover	15227-007	1
17	15144-001	1	Tank Baffle Generator End	15144-001	1
18	15144-002	1	Tank Baffle Engine End	15144-005	1
19	15462-008	1	Fuel Tank Tray	15462-007	1
20	15223-013	1	Left Tank Support Panel	15223-008	1
21	15222-013	1	Right Tank Support Panel	15222-008	1
22	56879-000	1	Shut Off Valve/Elbow	98771-000	1
23	40078-000	26"	Fuel Hose	40078-000	8"

## COMPLETE UNIT ASSEMBLY CONTINUED

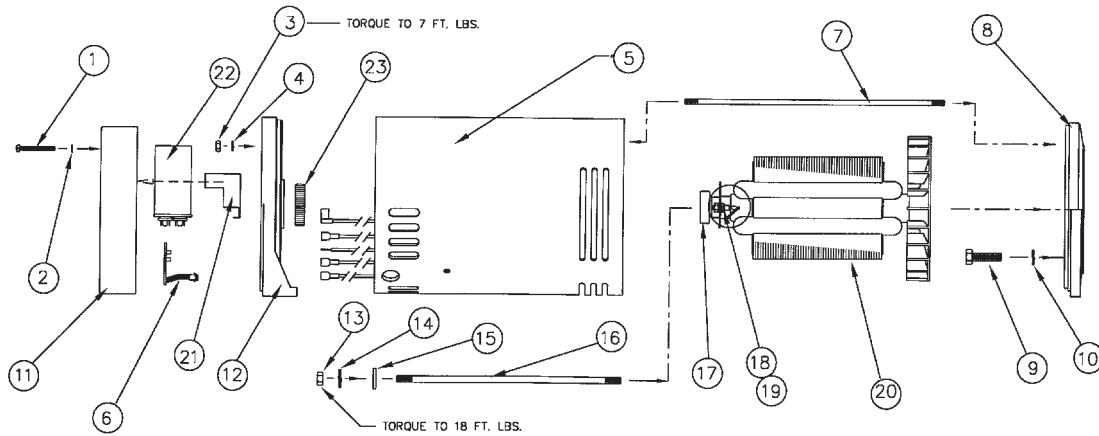
REF	WC5000H/A PARTNBR	QTY	DESCRIPTION	WC4500/A PART NBR	QTY
24	62999-001	2	Hose Clamp	62999-001	2
25	81018-008	1	Clamp	81018-008	1
26	56927-000	1	Grommet	56927-000	2
27	466-000	2	¼-20 X.75 Hex Head Bolt	466-000	2
28	512-000	2	¼ Flat Washer	512-000	2
29	16133-000	2	¾ O.D. X ¼ I.D. X 1/8 Leather Washer	16133-000	2
30	15482-000	1	Fuel Tank Cap	15482-000	1
31	97391-002	1	Cushioned Clamp	Not Used	
32	95281-000	1	¼-20 X1.25 Hex Head Bolt	Not Used	
33	47517-000	1	¼-20 Lock Nut	Not Used	
34	62496-000	1	Fuel Filter	62496-000	1
35	15287-000	31"	Air Seal	15287-000	31"
NI	15209-000	1	Warning Decal Kit	15209-000	1

## RECEPTACLE PANEL ASSEMBLY



REF	PART NBR	QTY	DESCRIPTION
1	15458-011	1	Front Panel, Bare
2	15221-007	1	Bottom, Top and Back Panel
3	15221-012	1	Circuit Breaker End Panel Bare
4	49975-011	15	Cable Tie
5	91977-008	1	35 A. 120 V. Circuit Breaker
6	54545-000	1	50 A. 120 V. Receptacle (5-50R)
7	57030-001	1	20 A. 240 V. Circuit Breaker
8	91286-000	2	15 A. 120 V. Circuit Breaker
9	64089-000	1	S.P.S.T. Snap-In Rocker Switch
10	58166-001	1	Running Time Meter
11	64045-012	3	3 Hole Mounting Strip
12	64045-010	2	3 Hole Mounting Strip
13	64045-011	2	4 Hole Mounting Strip
14	21698-001	31	#10-3/8 Self Tapping Screw
15	48583-000	1	Resistor, 50 Watt 150 Ohm
16	54196-000	1	Transformer
17	15147-002	2	15 A. 120 V. GFCI Duplex (5-15R)
18	56279-000	2	20 A. 120 V. Receptacle (L5-20R)
19	56281-000	1	20 A. 240 V. Receptacle (L6-20R)
20	97360-000	1	30 A. 120/240 V. Receptacle (L14-30R)

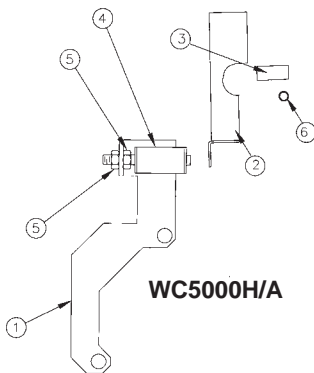
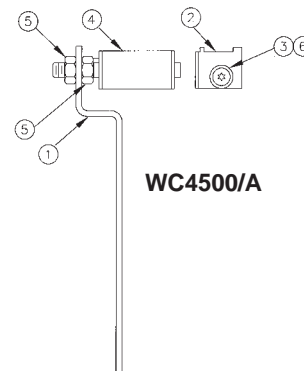
# GENERATOR ASSEMBLY



REF	PART NBR.	QTY	DESCRIPTION	REF	PART NBR.	QTY	DESCRIPTION
1	15013-000	4	#10-32 X 3.5" Screw	13	15193-000	1	5/16" Hex Nut
2	21975-000	4	#10 Lockwasher	14	480-001	1	5/16" Lockwasher
3	15192-000	4	1/4 -20 Hex Nut	15	23558-000	4	5/16" X 1" DIA. X .125 Washer
4	479-000	4	1/4 Lockwasher	16	23197-009	1	Generator Thru Bolt
5	15091-005	1	Stator, Complete	17	55223-000	1	Bearing
6	15110-000	1	Conservar® Module	18	15047-001	1	Diode, STD
7	15068-008	4	1/4 - 20 Stator Bolts	19	15047-002	1	Diode, REV
8	15008-001	1	Engine Mounting Bracket	20	15045-005	1	Rotor, Complete
9	91658-003	4	3/8 - 16 X 1.5 Hex Head Bolt	21	15088-000	1	Capacitor Strap
10	481-000	4	3/8" Lockwasher	22	15051-000	2	Capacitor
11	15106-000	1	End Cover Bare	23	15122-000	1	Tolerance Ring
12	15156-001	1	Bearing Bracket				

# CONSERVER® ASSEMBLY

REF	PART NBR.	QTY	DESCRIPTION
1	15270-002	1	Magnet Mounting Bracket
2	15291-002	1	Conservar® Lever
3	598-000	1	#10 Flat Washer
4	15182-000	1	Conservar® Magnet
5	44894-000	2	5/16-24 Hex Jam Nut
6	21698-001	1	#10 X 3/8 Self Tapping Screw



REF	PART NBR.	QTY	DESCRIPTION
1	15543-000	1	Magnet Mounting Bracket
2	15413-000	1	Conservar® Lever
3	62309-000	1	Clamp
4	15182-000	1	Conservar® Magnet
5	44894-000	2	5/16-24 Hex Jam Nut
6	55556-000	1	#8 x 3/8 Self Tapping Screw

**WINGCO INC**  
A Division of DTE Dyna Technology Inc

225 South Cordova Avenue  
Le Center MN 56057  
507-357-6831