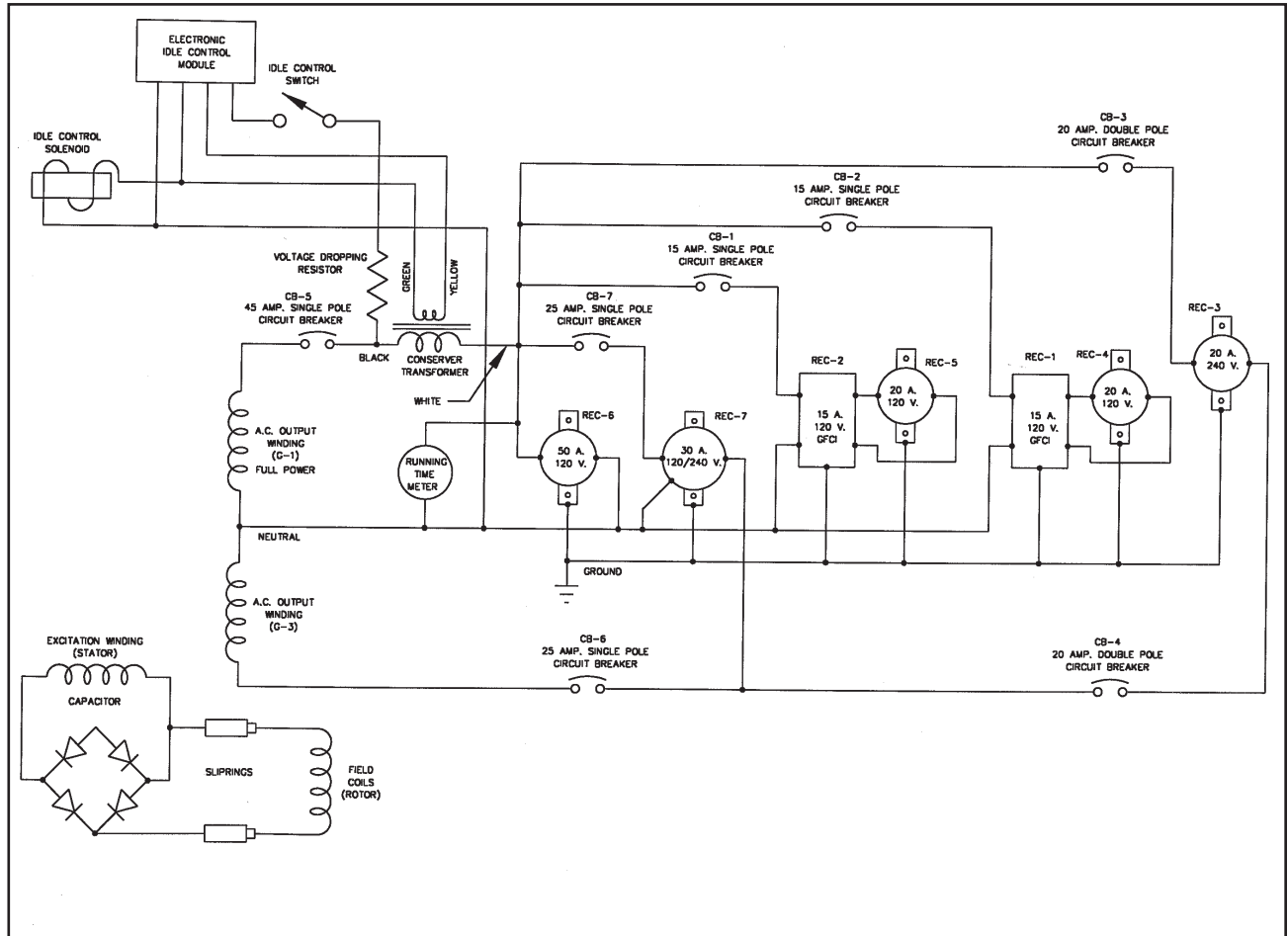


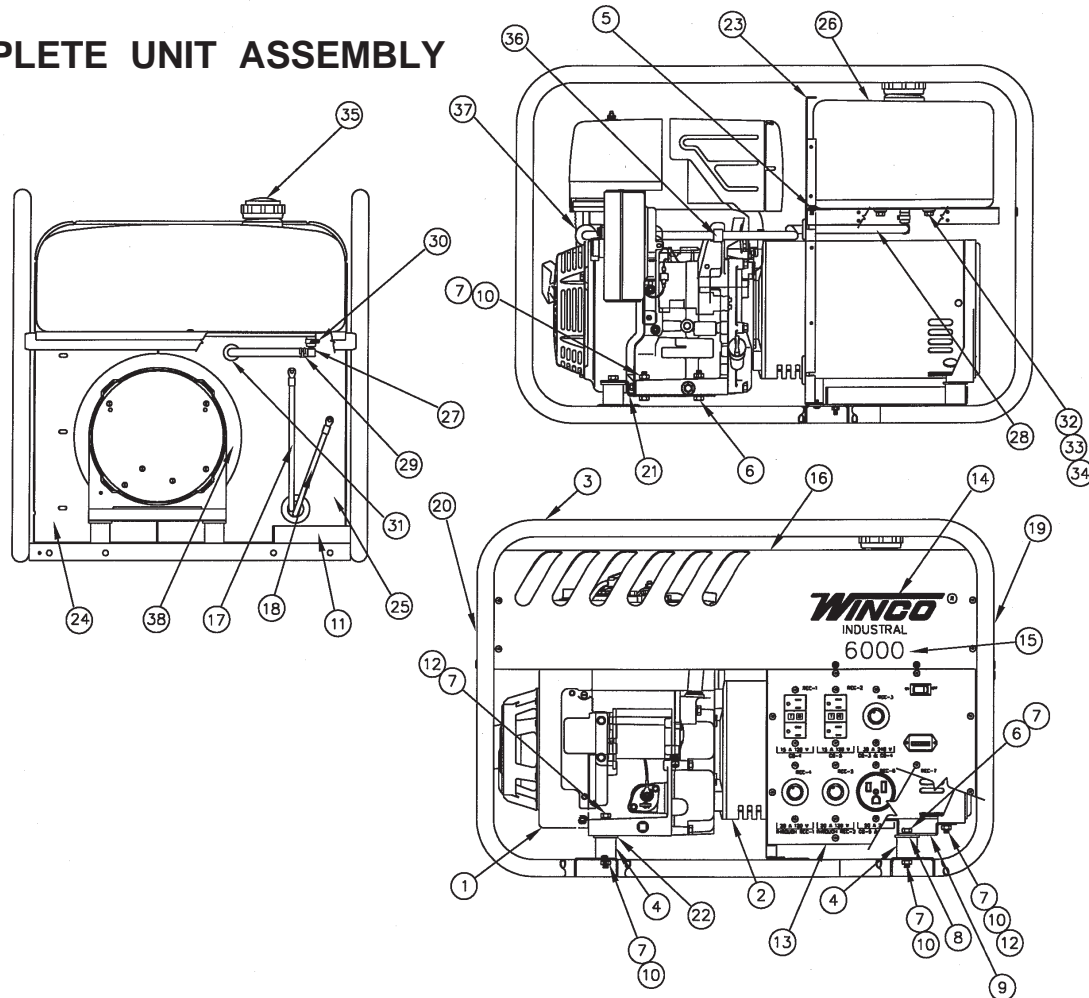
**MODELS WC6000E/A
WC6000HE/A
WC6000H/A**



GENERATOR SPECIFICATIONS

G1 TO NEUTRAL	0.11 OHMS
G3 TO NEUTRAL	0.18 OHMS
"Q" WINDING	0.80 OHMS
ROTOR	11.5 OHMS
WINDING SPEC.	SS#1544
AC CONNECTION	AC#373
AC RESIDUAL VOLTS	7.0 VAC L-L

COMPLETE UNIT ASSEMBLY

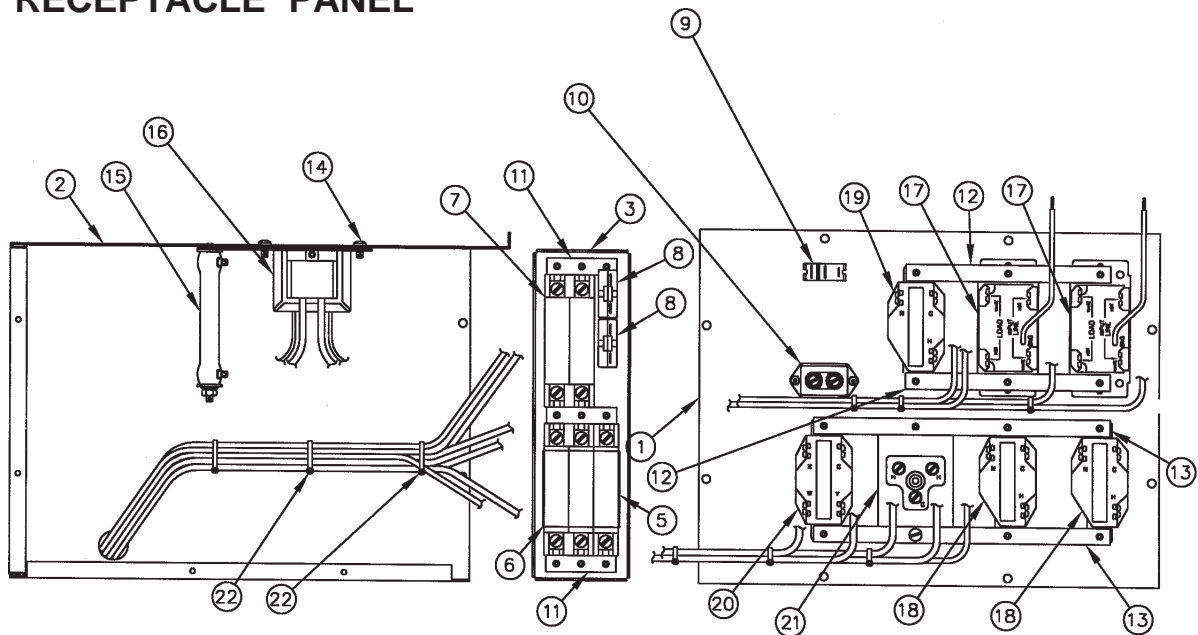


WC6000E/A				WC6000HE/A		WC6000H/A	
REF	PARTNBR	QTY	DESCRIPTION	PART NBR	QTY	PART NBR	QTY
1	15632-000	1	Engine 254427-4006-01	N/A	0	N/A	0
	N/A	0	Engine GV340K1WE2	15428-000	1	N/A	0
	N/A	0	Engine GV340K1VW12	N/A	0	15467-000	1
2	15532-005	REF	Generator Unassembled	15532-005	REF	15532-005	REF
3	63073-006	1	Cradle	63073-010	1	63073-010	1
4	64062-000	4	Shockmounts	64062-000	4	64062-000	4
5	21698-001	24	#10 X 3/8 Self Tapping Screw	21698-001	24	21698-001	24
	467-000	2	5/16-18 Hex Head Cap Screw	9416-000	6	9416-000	6
6	480-000	10	5/16 Lockwasher	480-000	16	480-000	16
8	23760-001	2	1.5 O.D. X .344 I.D. Flat Washer	23760-001	2	23760-001	2
9	15084-000	1	Generator Support Bracket	Not Used		Not Used	
10	458-000	10	5/16-18 Hex Nut	458-000	16	458-000	16
11	15676-001	1	Battery Tray	15676-001	1	Not Used	
12	9416-000	4	5/16-18 Hex Head Cap Screw	467-000	2	467-000	2
13	16176-002	REF	Receptacle Box Assembly	16176-002	REF	16176-002	REF
14	64214-042	1	WINCO, Industrial Decal	64214-042	1	64214-042	1
15	15370-008	1	Model Decal	15370-008	1	15370-008	1
16	15227-007	1	Top Cover	15227-007	1	15227-007	1
17	15767-006	1	POS. Battery Cable	15767-006	1	15767-006	1
18	15767-007	1	NEG. Battery Cable	15767-007	1	15767-007	1
19	15144-001	1	Tank Baffle Generator End	15144-001	1	15144-001	1
20	15144-005	1	Tank Baffle Engine End	15144-003	1	15144-003	1
21	Not Used		Engine Support Bracket	15929-001	1	15929-001	1
22	23760-001	2	1.5 O.D. X .344 I.D. Flat Washer	Not Used		Not Used	
23	15462-008	1	Fuel Tank Tray	15462-008	1	15462-008	1

COMPLETE UNIT ASSEMBLY CONTINUED:

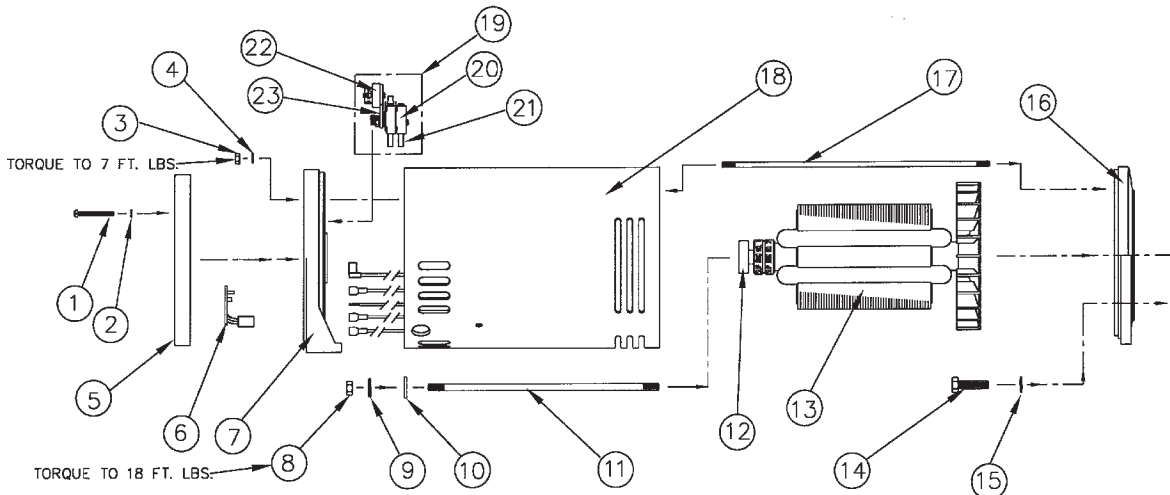
WC6000E/A				WC6000HE/A		WC6000H/A	
REF	PARTNBR	QTY	DESCRIPTION	PART NBR	QTY	PART NBR	QTY
24	15223-008	1	Left Tank Support Panel	15223-013	1	15223-013	1
25	15222-008	1	Right Tank Support Panel	15222-013	1	15222-013	1
26	64024-000	1	4.5 Gallon Tank	64024-000	1	64062-000	1
27	98771-000	1	Shut Off Valve/Elbow	56879-000	1	56879-000	1
28	40078-000	8"	Fuel Hose	40078-000	26"	40078-000	26"
29	62999-001	1	Hose Clamp	62999-001	2	62999-001	2
30	81018-008	1	Clamp	81018-008	1	81018-008	1
31	56927-000	1	Grommet	56927-000	2	56927-000	2
32	466-000	2	¼-20 X.75 Hex Head Bolt	466-000	2	466-000	2
33	512-000	2	¼ Flat Washer	512-000	2	512-000	2
34	16133-000	2	¾ O.D.X¼ I.D.X1/8 Leather Washer	16133-000	2	16133-000	2
35	15482-000	1	Fuel Tank Cap	15482-000	1	15482-000	1
36	Not Used		Cushioned Clamp	97391-002	1	97391-002	1
37	62496-000	1	Fuel Filter	62496-000	1	62496-000	1
38	15287-000	31"	Air Seal	15287-000	31"	15287-000	31"

RECEPTACLE PANEL



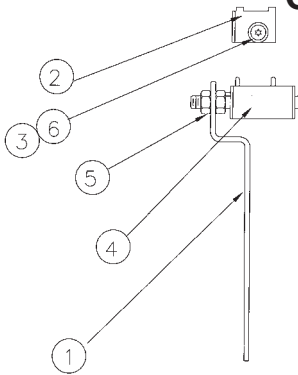
REF	PART NBR.	QTY	DESCRIPTION	REF	PART NBR.	QTY	DESCRIPTION
1	15458-003	1	Front Panel Base	11	64045-012	3	3 - Hole Mounting Strap
2	15221-007	1	Bottom, Top & Back Panel	12	64045-010	2	3 - Hole Mounting Strap
3	15221-006	1	Circuit Breaker Panel Bare	13	64045-011	2	2 - Hole Mounting Strap
4	49975-010	15	Cable Ties	14	21698-001	31	#10 X 3/8 Self Tapping Screw
5	91977-006	1	45 A. 120 V. Circuit Breaker	15	48583-000	1	Resistor
6	57030-009	1	25 A. 240 V. Circuit Breaker	16	54196-000	1	Transformer
7	57030-001	1	20 A. 240 V. Circuit Breaker	17	15147-002	2	15 A. 120 V. GFCI Duplex
8	91286-000	2	15 A. 120 V. Circuit Breaker	18	56279-000	2	20 A. 120 V. Receptacle
9	64089-000	1	S.P.S.T. Rocker Switch	19	56281-000	1	20 A. 240 V. Receptacle
10	58166-001	1	Running Time Meter	20	97360-000	1	30 A. 120/240 V. Receptacle
				21	54545-000	1	50 A. 120 V Receptacle

GENERATOR ASSEMBLY



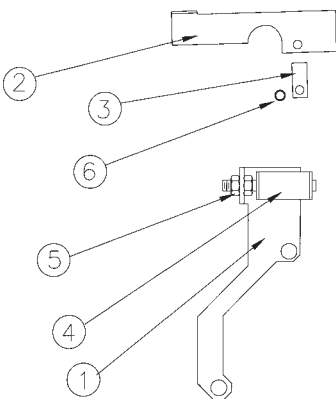
REF	PART NBR.	QTY	DESCRIPTION	REF	PART NBR.	QTY	DESCRIPTION
1	15013-001	4	#10-32 X 1.75 Screw	13	15522-002	1	Rotor, Complete
2	21975-000	4	#10 Lockwasher	14	91658-003	4	3/8 - 16 X 1.5 Hex Head Bolt
3	15192-000	4	1/4 -20 Hex Nut	15	481-000	4	3/8 Lockwasher
4	479-000	4	1/4 Lockwasher	16	15008-000	1	Engine Mounting Bracket
5	15085-000	1	End Cover Bare	17	15068-009	4	1/4 - 20 Stator Bolts
6	15110-000	1	Conserver Module	18	15528-002	1	Stator, Complete
7	15533-002	1	Bearing Bracket	19	15523-000	1	Brushholder Assembly
8	15193-000	1	5/16 - 24 Hex Nut	20	59690-000	2	Brushholder
9	480-001	1	5/16 Lockwasher	21	23607-000	2	Brush Assembly
10	23558-000	1	5/16" X 1" DIA. X .125 Washer	22	91452-000	1	Rectifier
11	23197-006	1	Generator Thru-Bolt	23	15524-000	1	Mounting Plate
12	50215-000	1	Bearing				

CONSERVER MOUNTING BRACKET



WC6000E/A

REF	PART NBR.	QTY	DESCRIPTION
1	15270-001	1	Magnet Mounting Bracket
2	15291-001	1	Conserver Lever
3	598-000	1	#10 Flat Washer
4	15182-000	1	Conserver Magnet
5	44894-000	2	5/16-24 Hex Jam Nut
6	21698-001	1	#10 X 3/8 Self Tapping Screw



WC6000HE/A & WC6000H/A

REF	PART NBR.	QTY	DESCRIPTION
1	15416-000	1	Magnet Mounting Bracket
2	15415-000	1	Conserver Lever
3	62309-000	1	Clamp
4	15182-000	1	Conserver Magnet
5	44894-000	2	5/16-24 Hex Jam Nut
6	55556-000	1	#8 x 3/8 Self Tapping Screw

WINGO[®] INC
A Division of DTF Dyna Technology Inc
 225 S. Cordova Avenue
 Le Center MN 56057
 507-357-6831