

HP3000/A, /B, CSAHP3000/A

REF #	DESCRIPTION	PART #	/A QTY	/B QTY	CSA QTY		
1	100	ENGINE - KAW. FA210	63468-000	1	1	1	1
2	111	OIL DRAIN TUBE, ASSY.	63017-400	1	1	1	2
3	112	BRACKET, ELECTRO-MAGNET	62310-000	1	1	1	3
4	114	LEVER, CONSERVER THROTTLE	64277-000	1	1	1	4
5							5
6	195	MUFFLER	64473-000	1	1	1	6
7	197	EXHAUST BAFFLE	15241-000	1	1	1	7
8	198	SUPPORT (MUFFLER)	15185-000	1	1	1	8
9	199	CLAMP (MUFFLER)	15243-000	1	1	1	9
10							10
11	201	COVER, CONTROL BOX	62777-000	1	1	1	11
12	202	BACK PANEL	62774-000	1	1	1	12
13	203	FRONT PANEL ONLY (PAINT)	62775-000	1	1	-	13
14		FRONT PANEL ONLY (PAINT)	63673-000	-	-	1	14
15							15
16	241	ELECTRO-MAGNET, CONSERVER	44889-000	1	1	1	16
17	242	COVER, ELECTRO-MAGNET	44891-000	1	1	1	17
18	243	RESISTOR, CONS. 150/50W	48583-000	1	1	1	18
19	244	TRANSFORMER, CONSERVER	54196-000	1	1	1	19
20	245	SWITCH, CONSERVER - SPST	62392-000	1	1	1	20
21	246	MODULE, CONSERVER	48574-400	1	1	1	21
22							22
23	247	RECEPT. - 120V 5-15R	24749-000	1	1	1	23
24	248	RECEPT. - 120V L5-20R	56279-000	1	1	1	24
25	249	RECEPT. - 120V 5-30R	62725-000	1	1	1	25
26							26
27	257	CIRCUIT BREAKER - 15A	91598-000	1	-	1	27
28	258	CIRCUIT BREAKER - 20A	91598-001	1	2	1	28
29	259	CIRCUIT BREAKER - 25A	91598-003	1	1	-	29
30		CIRCUIT BREAKER - 25A	91977-004	-	-	1	30
31	286	RECTIFIER, ROUND- 3 TERM	61663-000	1	1	1	31
32							32
33	310	D.C. AMMETER	62394-000	1	1	1	33
34	333	BATTERY CABLE ASSEMBLY	61644-000	1	1	1	34
35	334	BATTERY PLUG	61641-000	1	1	1	35
36	358	CIRCUIT BREAKER - DC	91940-001	1	1	1	36
37							37
38	401	FAN	54967-000	1	1	1	38
39	402	THRU-BOLT - 5/16-24	23197-003	1	1	1	39
40	406	RECTIFIER, SQUARE- 4 TERM	53976-000	2	2	2	40
41	411	END BRACKET - ENG END	43887-000	1	1	1	41
42							42
43	431	ARMATURE ASSY	61777-001	1	1	-	43
44		ARMATURE ASSY	63645-001	-	-	1	44
45	432	BEARING	55223-000	1	1	1	45
46							46
47	441a	FIELD COIL (TOP)	61778-000	1	1	1	47
48	441b	FIELD COIL (BOTTOM)	61778-001	1	1	1	48
49	442	POLE SHOE	53612-000	2	2	2	49
50	443	POLE SHOE RETAINER	53613-000	2	2	2	50

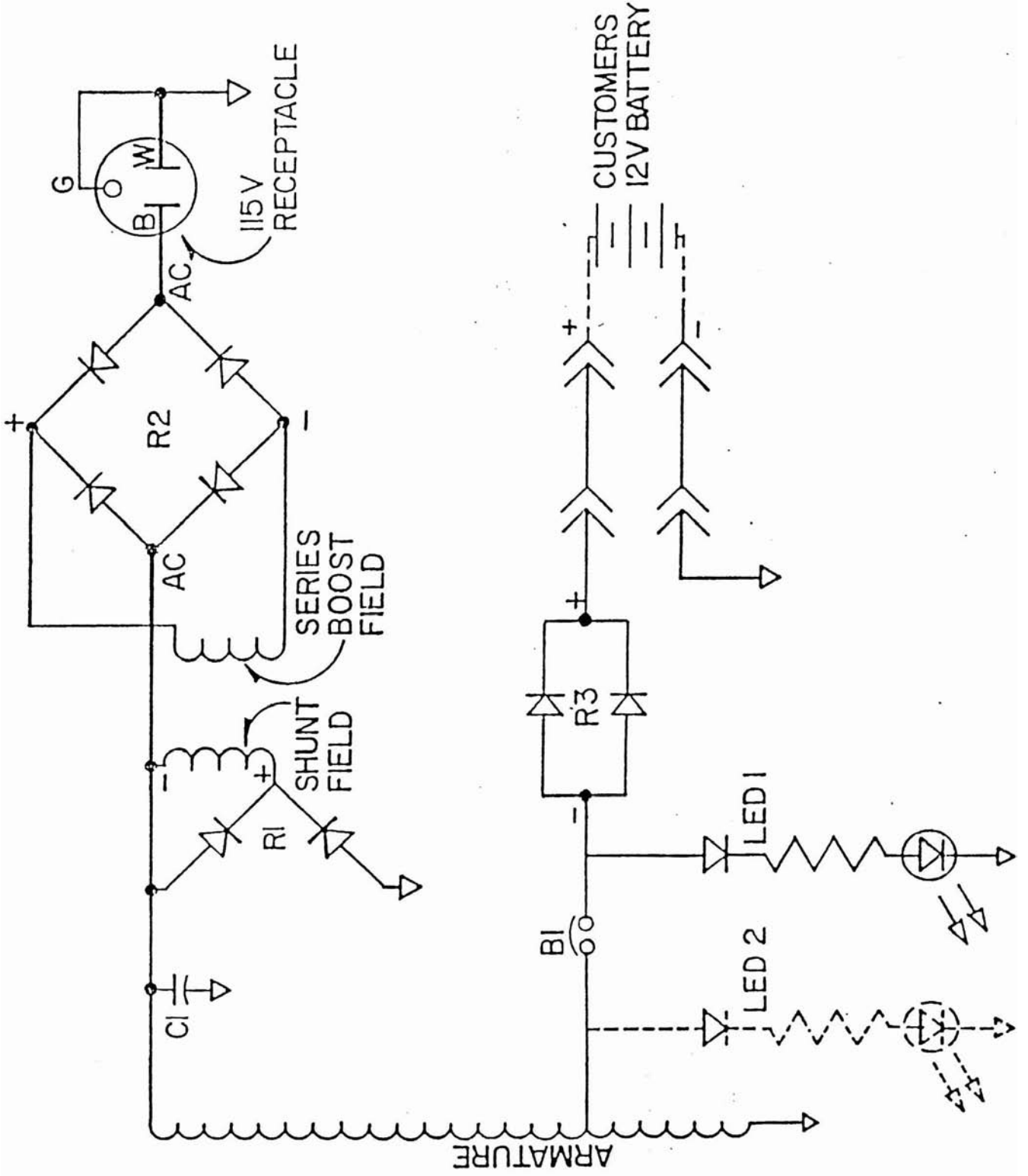
HP 3000 / A & B

HP3000/A, /B, CSAHP3000/A

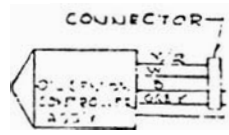
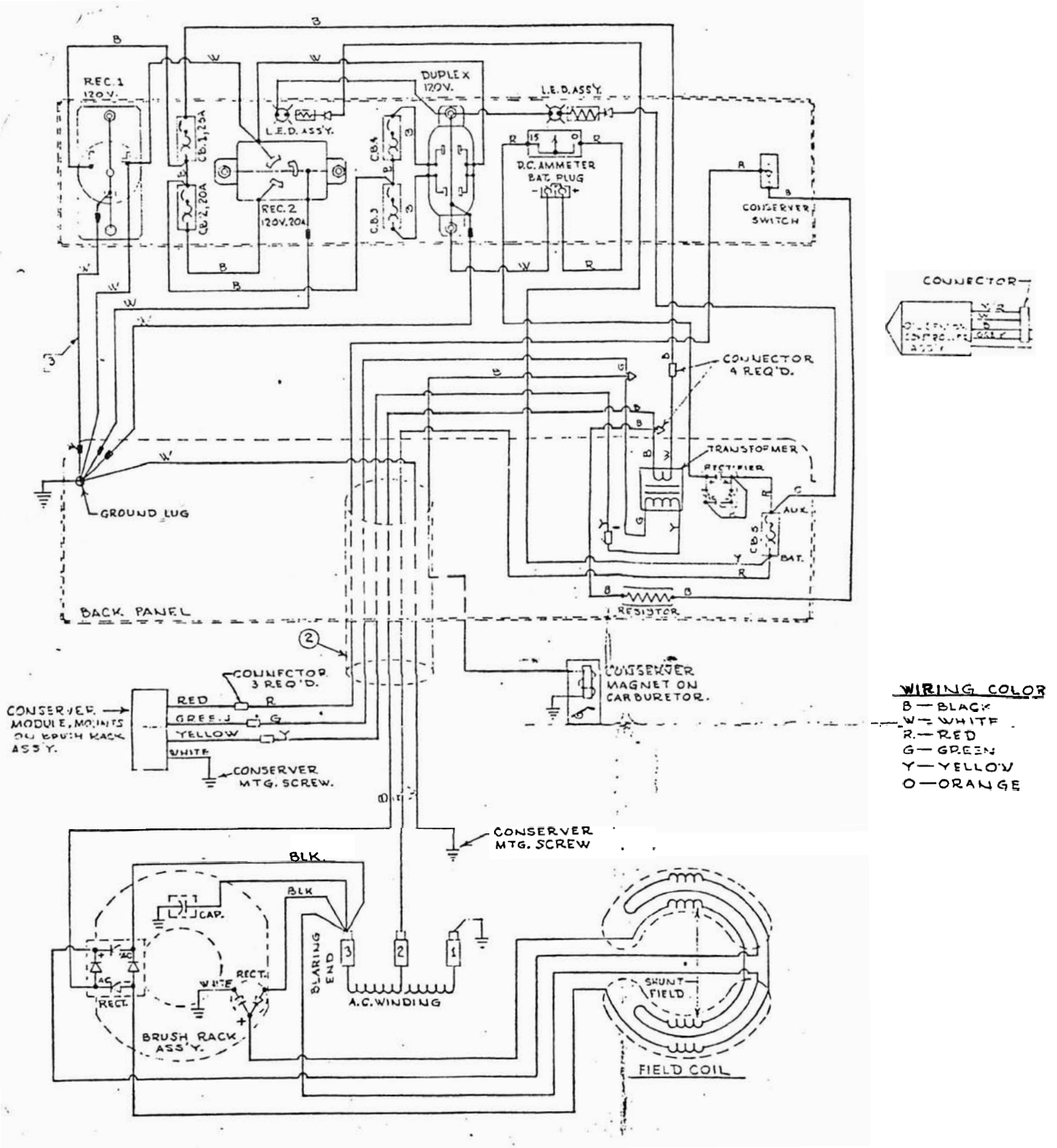
REF #	DESCRIPTION	PART #	/A QTY	/B QTY	CSA QTY		
51	444	FIELD SHELL	53614-000	1	1	-	51
52		FIELD SHELL	63948-000	-	-	1	52
53							53
54	445	STUD - 5/16-18 X 2-3/8	23817-000	3	3	3	54
55	447	A.C. BRUSH	23607-000	5	5	5	55
56	460a	BRUSH RACK ASSY.	61799-000	1	1	-	56
57		BRUSH RACK ASSY.	62888-000	-	-	1	57
58	460b	BRUSH RACK ASSY.	61799-001	1	1	-	58
59		BRUSH RACK ASSY.	62888-001	-	-	1	59
60							60
61	461	BRUSH HLDR MTG PLATE	56315-000	2	2	2	61
62	462	A.C. BRUSH HOLDER	59690-000	5	5	5	62
63	463	A.C. CAPACITOR	41221-000	1	1	1	63
64							64
65	491	END COVER	56312-003	1	1	1	65
66	601	CRADLE	62773-000	1	1	1	66
67	602	MTG. BAR, ENGINE	62832-000	1	1	1	67
68	603	MTG. BAR, GENERATOR	62961-000	1	1	1	68
69	604	MTG. BAR, GENERATOR	62962-000	1	1	1	69
70							70
71	605	SHOCK MOUNT, ENG/GEN	71605-001	4	4	4	71
72	605	SHOCK MOUNT, CRADLE	20191-000	4	4	4	72
73	606	STEEL CAP, CRADLE SHOCK	21077-000	4	4	4	73
74							74
75	814	FUEL TANK TRAY	62833-000	1	1	1	75
76	817	FUEL TANK - 4.4 GAL	62835-000	1	1	1	76
77	818	PRIMER BULB, FUEL	62391-000	1	1	1	77
78							78
79	819	FUEL PUMP	62395-000	1	1	1	79
80	820	BRACKET, FUEL PUMP	62955-000	1	1	1	81
81	821	CAP/GAUGE, FUEL TANK	92396-000	1	1	1	81
82							82
83	901	DECAL SET - SAFETY	15209-000	1	1	1	83
84	906	NAMEPLATE	63966-000	1	1	1	84
85	998	OPERATORS MANUAL	60706-032	1	1	1	85

FOLLOWING INFORMATION IS FOR REFERENCE ONLY						
000	COMPLETE UNIT ASMBLY.	62780-000	#	-	-	
	COMPLETE UNIT ASMBLY.	62780-001	-	#	-	
	COMPLETE UNIT ASMBLY.	63675-000	-	-	#	
500	GEN. ASSY. - COMPLETE	62963-000	1	1	-	
	GEN. ASSY. - COMPLETE	62963-001	-	-	1	

UNIT MODEL SERIES	HP3000	CSAHP3000
AC RESIDUAL VOLTS	7.0 VAC L-L	7.0 VAC L-L
FIELD RESISTANCE	30.5 OHMS	30.5 OHMS
WIRING DIAGRAM	D-62779	D-64674
WINDING SPEC (SS#)	1461	1508

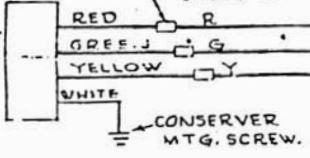


62779



- WIRING COLOR**
- B - BLACK
 - W - WHITE
 - R - RED
 - G - GREEN
 - Y - YELLOW
 - O - ORANGE

CONSERVATOR MODULE MOUNTS ON BRUSH RACK ASSY.



CONSERVATOR MTG. SCREW

