

Wiring Diagram C54136
 Schematic N/C
 Generator Parts
 Unassembled 57095-4
 Complete Unit
 Part Number 62200

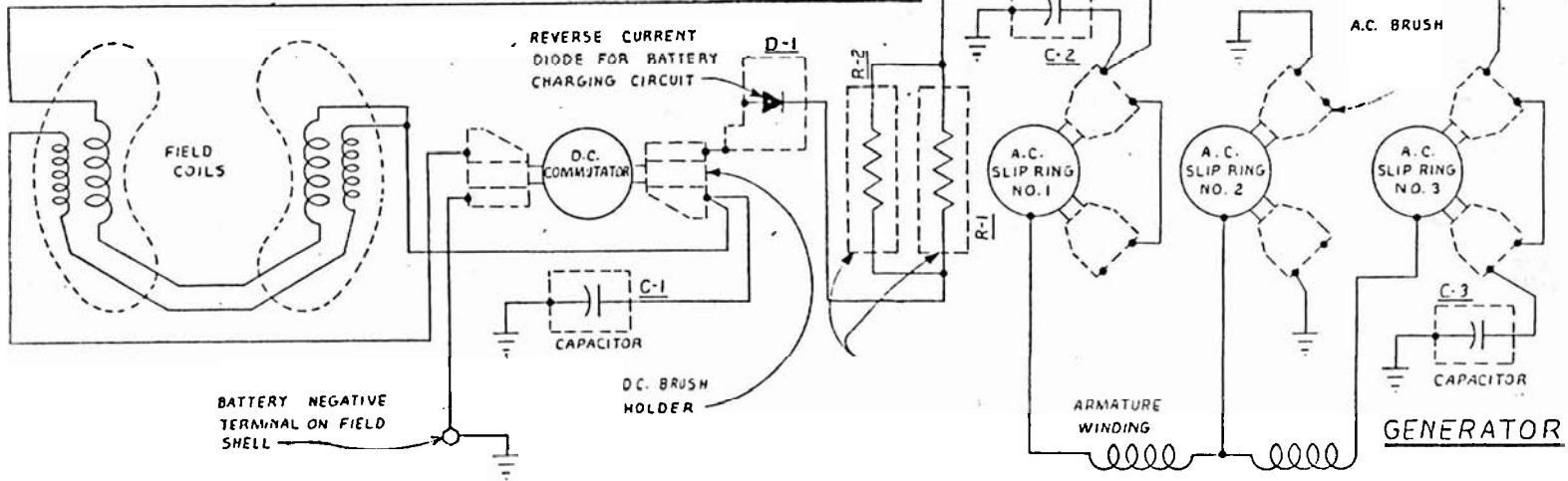
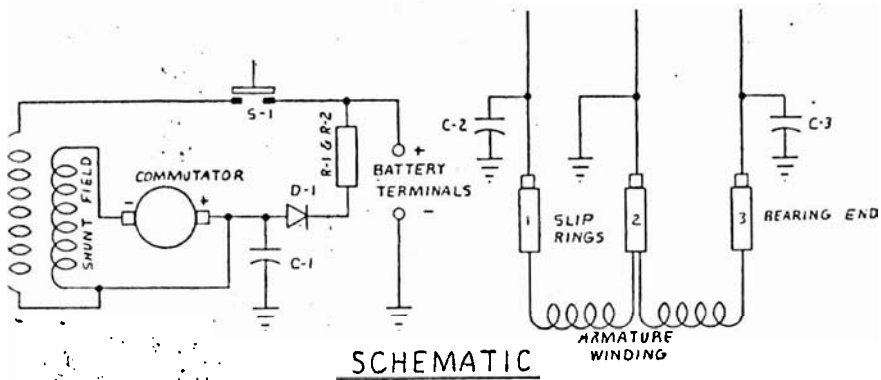
 ** REPAIR **
 ** PARTS LIST **
 ** #706 **

Size 4000 Watts
 Drive Direct
 Type Two Pole
 Unit Model # 4PTH-3E/J9

<u>DESCRIPTION</u>	<u>PART #</u>	<u>QTY.</u>
Armature (less bearing)	62199-1	1
Armature Bearing	55223	1
Armature thru Bolt	23197-7	1
Fan Assy.	55101	1
Fan Washer	23558	1
Fan Lockwasher	55224	1
Fan Nut	23605	1
Field Coil	61087	1
Field Coil	61087-1	1
Shell & Bracket Assy.	62164	1
Pole Shoe	24851	2
Pole Shoe Retainer	24849	2
Engine Adapter Bracket	62188	1
Adapter Bracket Screw	55576	4
End Cover Assy.	55368	1
End Cover Receptacle	53636	2
End Cover Receptacle (230V)	55253	1
Brush Rack Assy.	62119-1	1
	62119	1
A.C. Brush	23607	6
A.C. Brush Holder	59690	6
D.C. Brush	41393	2
D.C. Brush Holder	41744	1
& Plate Assy.	57308	1
A.C. Condenser	41221	2
D.C. Condenser	41180	1
Resistor Assy. (Charge)	55393	1
Barrier Spacer	59688	10
Cradle	62121	1
Rubber Feet	23770	4
Cradle Adapter	62201	1

Engine Make Tecumseh Model # HM80 Part # 62202

TO RECEPTACLES,

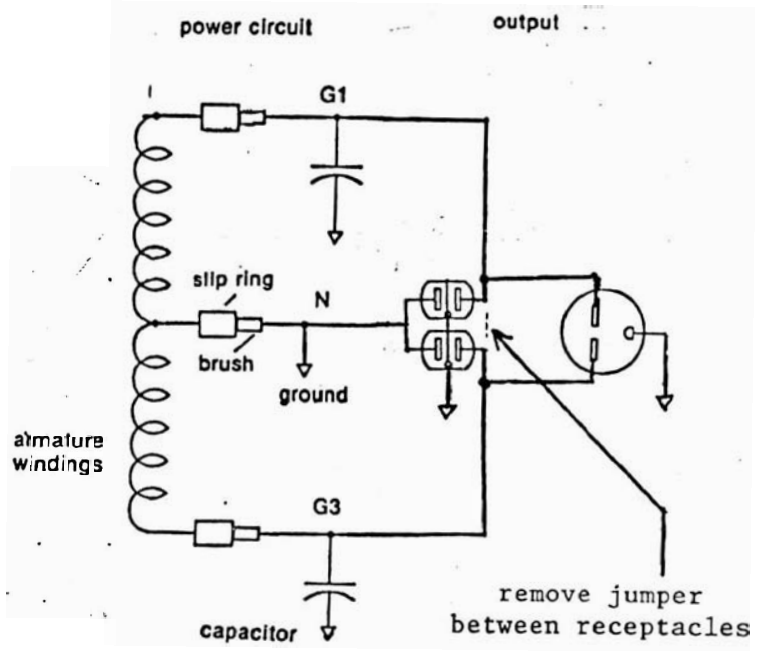
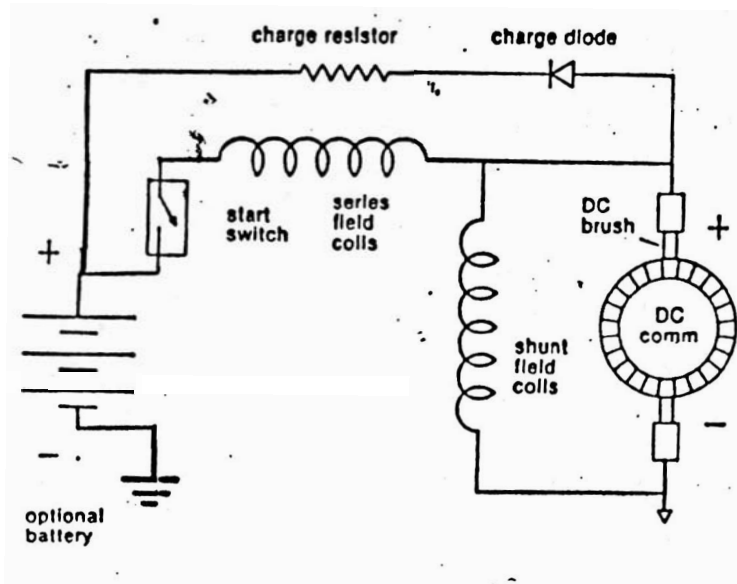


230 VAC
Receptacle

54136

battery and charge circuit

excitation circuit



SCHEMATIC WIRING DIAGRAM