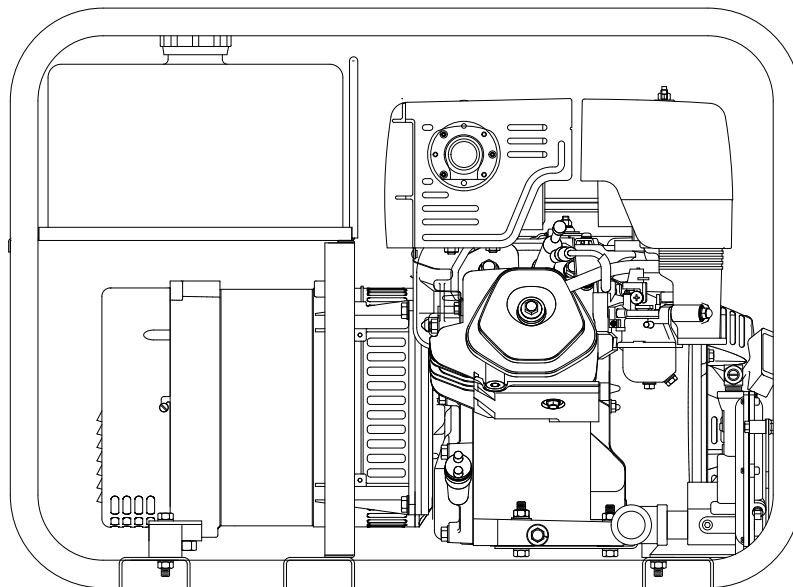


WINCO[®] INC

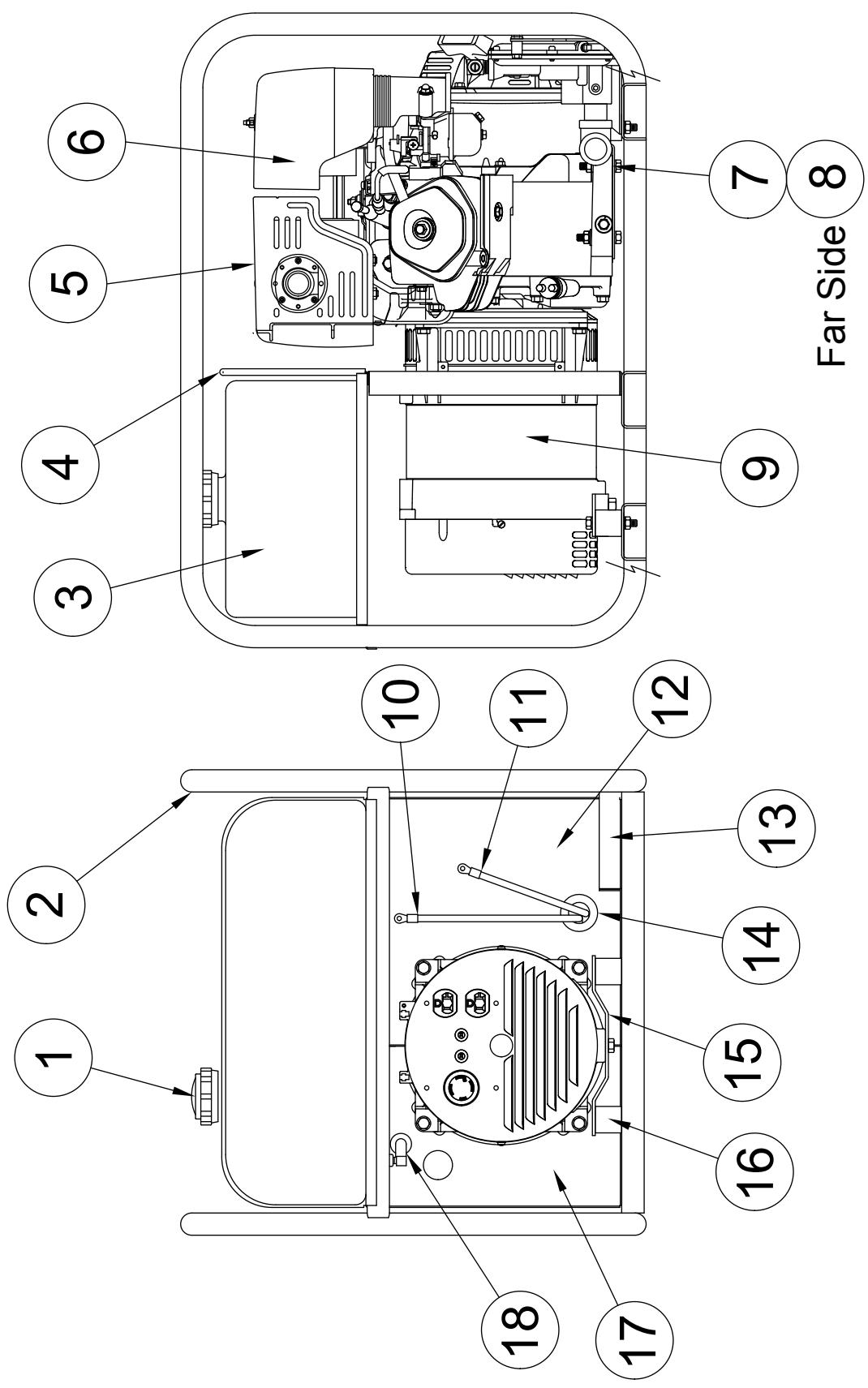
ILLUSTRATED PARTS LIST

CSA HPS6000HE/D



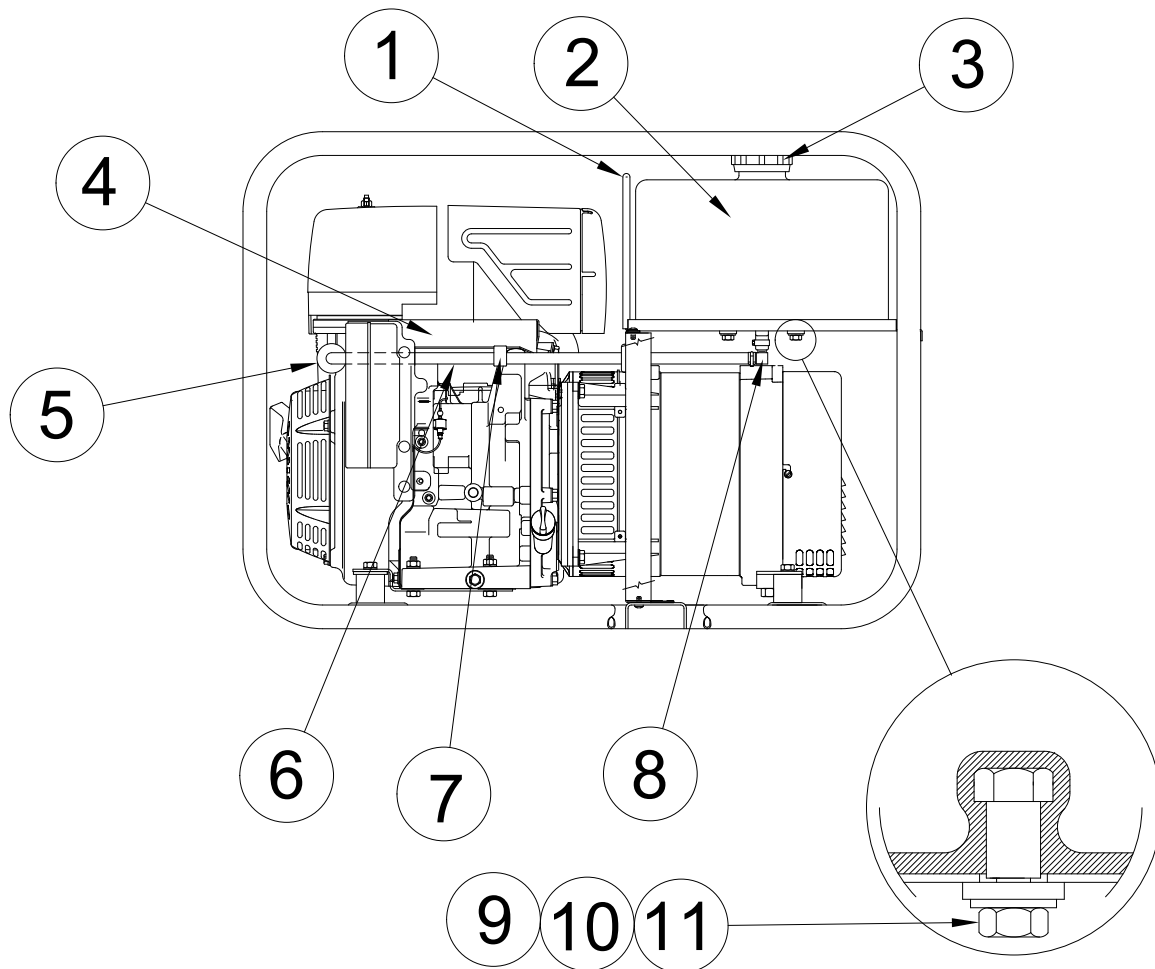
**WINCO INC.
225 S. CORDOVA AVE.
LE CENTER, MN 56057
(507) 357-6821
SERVICE DEPT.
(507) 357-6831
wincogen.com**

ENGINE / GENERATOR ASSEMBLY



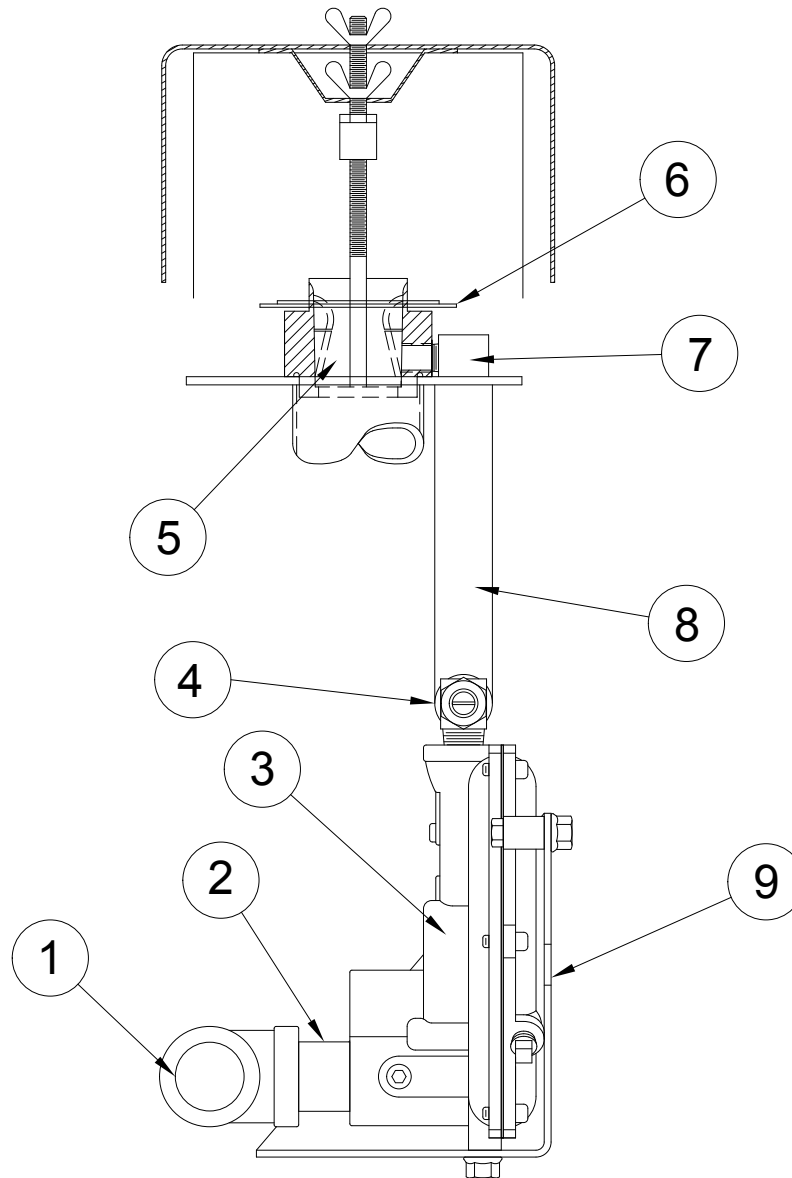
REF #	PART NUMBER	QTY	DESCRIPTION
1	15482-000	1	Fuel Cap
2	63073-011	1	Cradle
3	64024-000	1	4.5 Gallon Fuel Tank
4	15462-022	1	Fuel Tank Tray
5	15428-000	1	Engine, Honda GX340K1VWE2
6	17210-ZE3-010	1*	Air Filter
7	15929-001	1	Right Side Adapter Bracket
8	15929-002	1	Left Side Adapter Bracket
9	16346-001	1	Generator, Mecc Alte Model: AR2-90/2
10	15767-007	1	Negative (-) Battery Cable
11	15767-006	1	Positive (+) Battery Cable
12	15222-022	1	Right Support Panel
13	15676-001	1	Battery Tray
14	62486-000	1	Grommet
15	16335-000	1	Generator Support
16	64062-000	4	Shock Mount
17	15223-018	1	Left Support Panel
18	23917-000	1	Grommet
NI	15807-000	1	Battery Hold Down Kit
NI	63941-001	1	Hot Warning Decal
NI	15209-000	1	Danger Decal Set
NI	15370-016	1	Model Decal
NI	64214-045	1	Home Power Decal
NI	BPR6ES	1	NGK Spark Plug
NI	Not Illustrated		
*	Honda Part Number		

FUEL SYSTEM ASSEMBLY GASOLINE



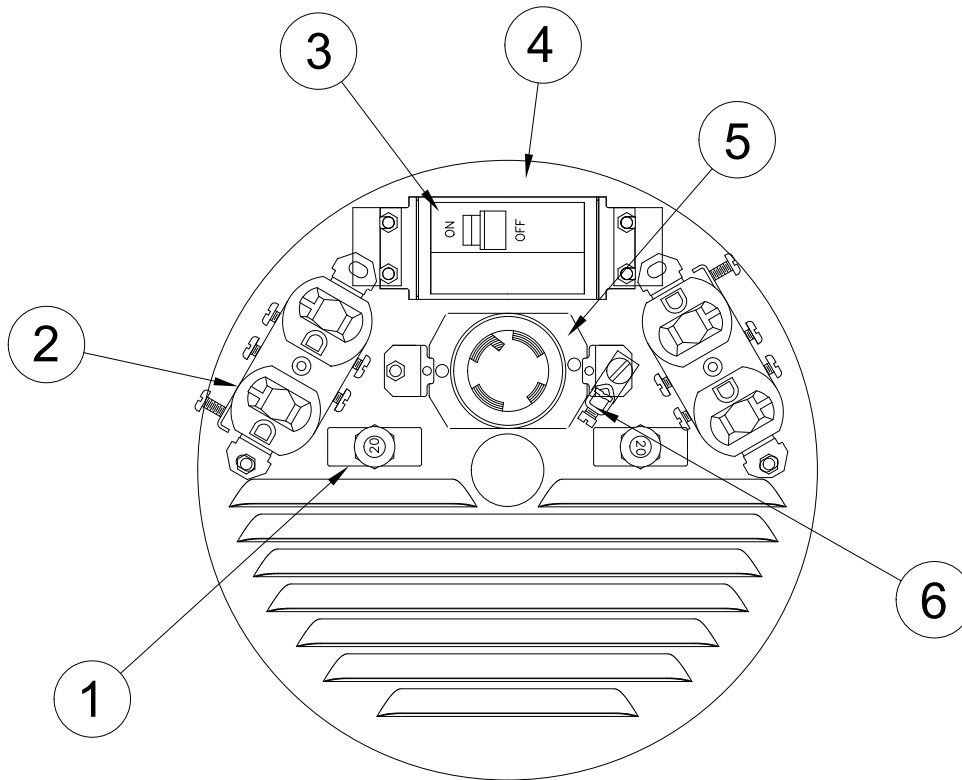
REF #	PART NUMBER	QTY	DESCRIPTION
1	58684-000	30"	Edge Trim
2	64024-000	1	4.5 Gallon Fuel Tank
3	15482-000	1	Fuel Cap
4	15679-002	1	Governor Cover Plate
5	62496-000	1	Fuel Filter
6	40078-000	21"	Fuel Hose
7	97391-002	2	Cushioned Clamp
8	56879-000	1	90° Elbow
9	466-000	2	1/4-20 X 3/4" Bolt
10	512-000	2	1/4" Flat Washer
11	16133-000	2	Leather Washer

FUEL SYSTEM ASSEMBLY VAPOR FUEL



REF #	PART NUMBER	QTY	DESCRIPTION
1	50244-000	1	90° Pipe Elbow
2	22626-000	1	Pipe Nipple
3	55559-002	1	Demand Regulator
4	55560-000	1	Load Block
5	63581-001	1	LP/NG Adapter Kit
6	91345-001	1	Retainer
7	92382-003	1	90° Elbow
8	23048-000	2 FT	Fuel Hose
9	16336-000	1	Mounting Bracket

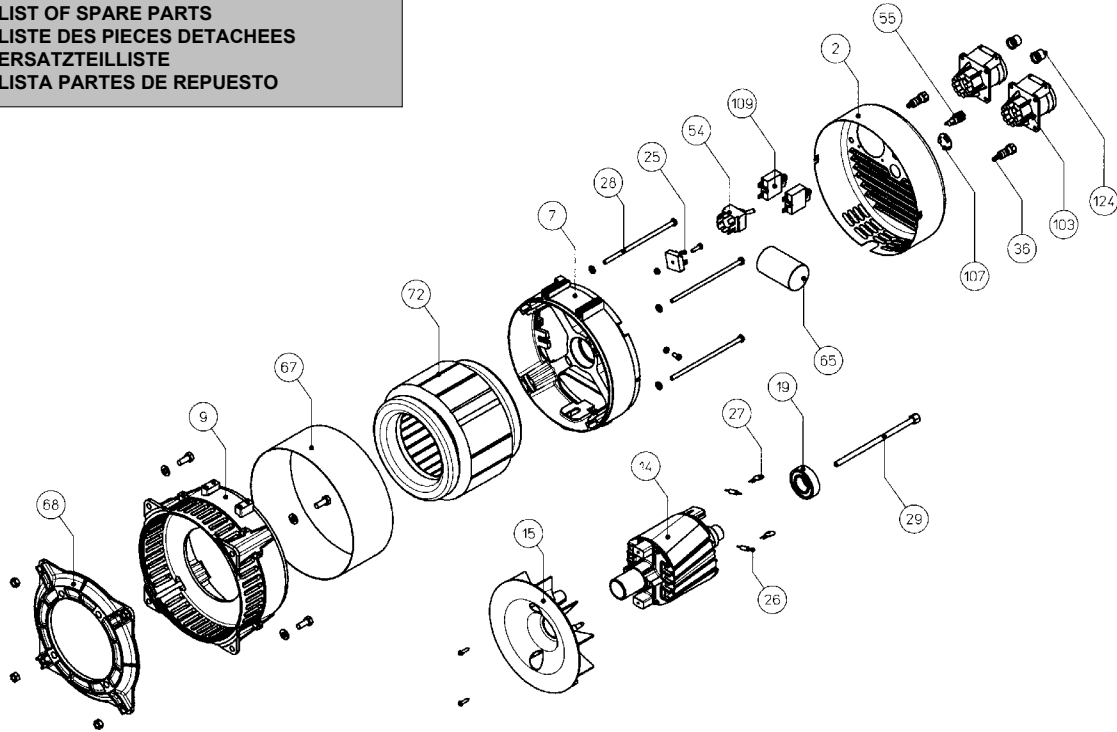
END COVER ASSEMBLY



REF #	PART NUMBER	QTY	DESCRIPTION
1	91286-001	2	20 Amp Circuit Breaker
2	50766-000	2	NEMA 5-20R Receptacle
3	57030-009	1	25 Amp Circuit Breaker
4	16346-013	1	End Cover
5	97360-000	1	NEMA L14-30R Receptacle
6	48042-001	1	Ground Lug

GENERATOR ASSEMBLY

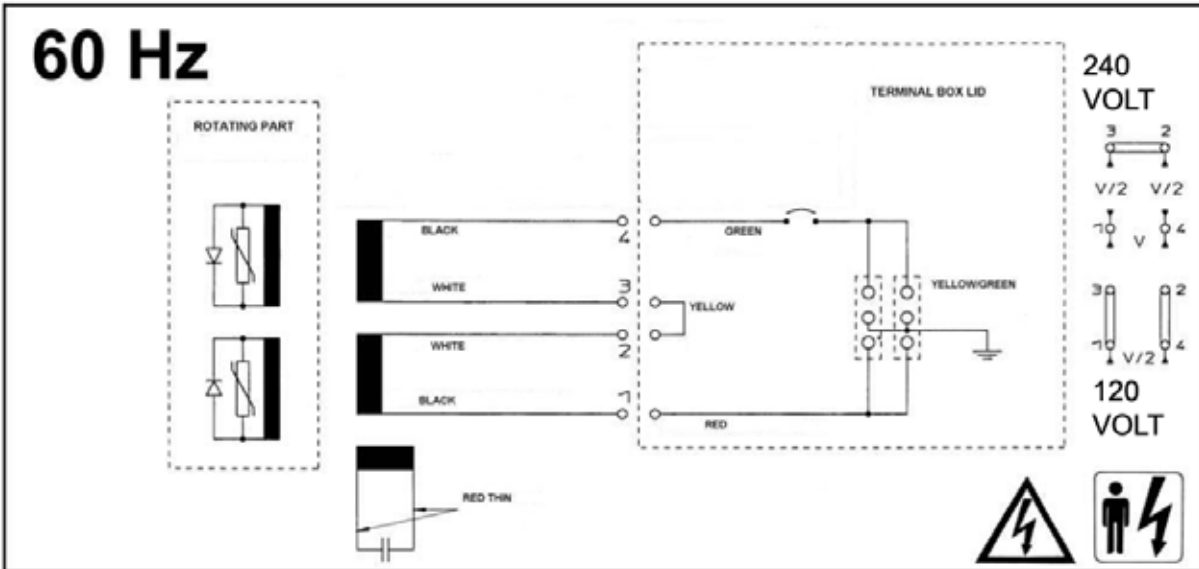
ELENCO PARTI DI RICAMBIO
 LIST OF SPARE PARTS
 LISTE DES PIECES DETACHEES
 ERSATZTEILLISTE
 LISTA PARTES DE REPUESTO



REF #	PART NUMBER	QTY	DESCRIPTION
19	54665-000	1	Bearing
26	16346-105	2	Diode
27	16346-106	2	Varistor
65	16346-312	1	Capacitor

WINCO INC. SELLS THESE FOUR INDIVIDUAL PARTS, OTHERWISE WINCO INC. SELLS THE COMPLETE GENERATOR END. IF INDIVIDUAL PARTS ARE REQUIRED THEY CAN BE OBTAINED THROUGH: Mecc Alte at: meccalte.com

GENERATOR SCHEMATIC



RESISTANCE VALUES:

STATOR: 0.259 Ohms
ROTOR: 3.41 Ohms
EXCITATION: 1.510 Ohms

WIRING DIAGRAM

