

WINCO[®] INC

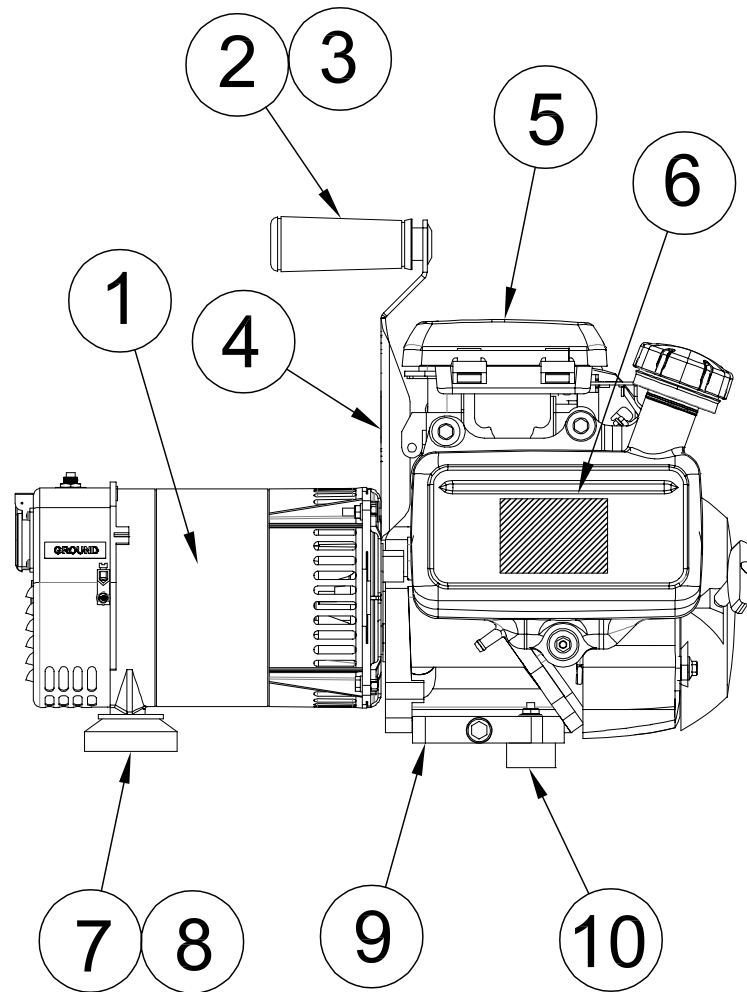
ILLUSTRATED PARTS LIST

W3000H/C



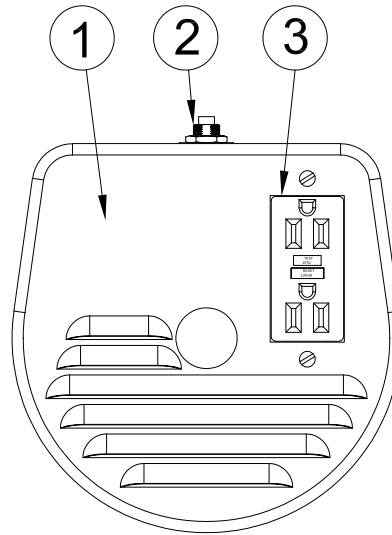
**WINCO INC.
225 S. CORDOVA AVE.
LE CENTER, MN 56057
(507) 357-6821
SERVICE DEPT.
(507) 357-6831
wincogen.com**

ENGINE & GENERATOR ASSEMBLY



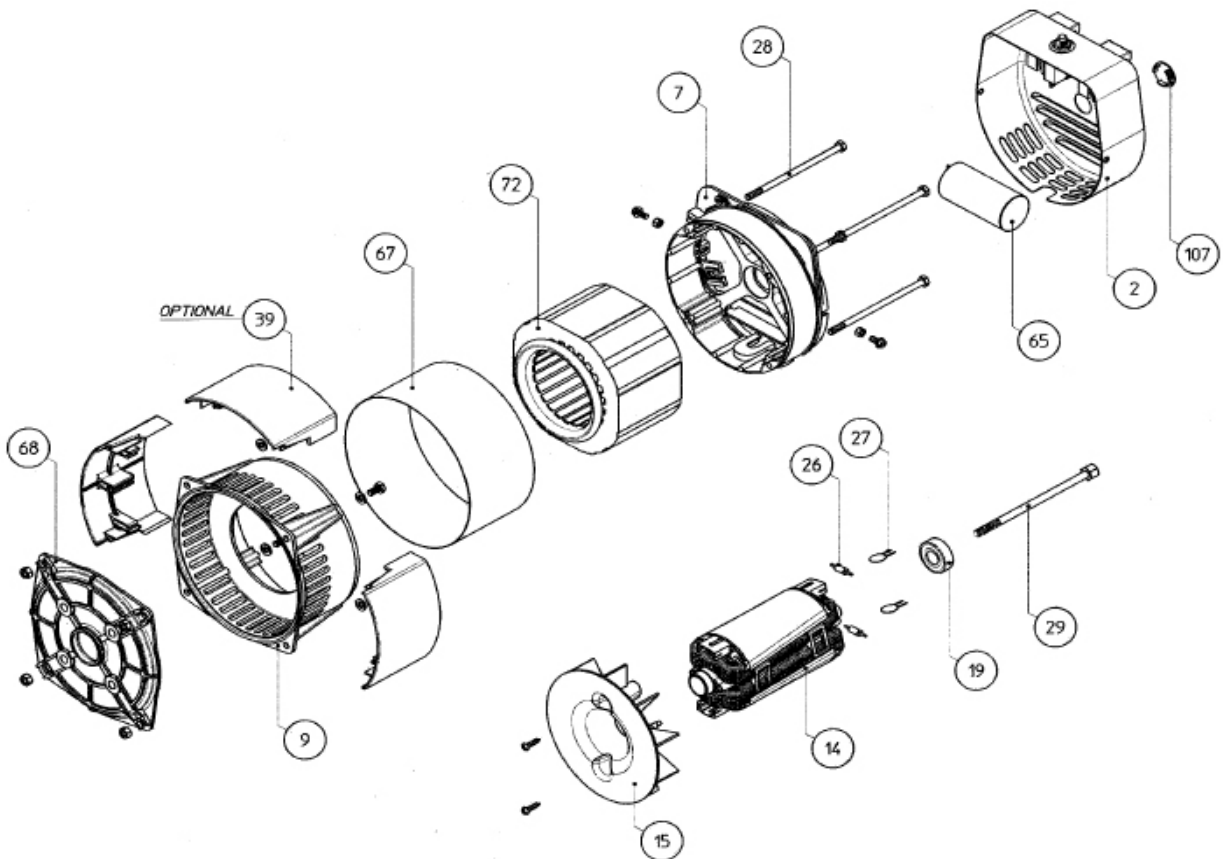
REF #	PART NUMBER	QTY	DESCRIPTION
1	16346-008	1	Generator, Mecc Alte Spa Model: S15W-75
2	64325-001	1	Handle Grip
3	15102-001	1	Hole Plug
4	15425-004	1	Handle Weldment
5	17211-ZL8-003	1*	Air Filter Element
6	15209-000	1	Decal Set
7	300212	1	Shock Mount
8	98806-000	1	Washer
9	15256-000	1	Engine, Honda Model: GC160AVXA
10	20191-000	2	Shock Mount
NI	BPR6ES	1**	NGK Spark Plug
*	Honda Part #		
**	NGK Part #		
NI	Not Illustrated		

END COVER ASSEMBLY



REF #	PART NUMBER	QTY	DESCRIPTION
1	16346-015	1	End Cover
2	91286-001	1	20 Amp 1-Pole Circuit Breaker
3	15147-001	1	NEMA 5-20R GFCI Receptacle

GENERATOR END ASSEMBLY



REF #	PART NUMBER	QTY	DESCRIPTION
	16346-008	1	Complete Generator End
19	Reference	1	6202-2RS1 Bearing
26	300323-208	2	Varistor
27	300323-207	2	Diode
65	16346-801	1	12.5 mf Capacitor

GENERATOR SPECIFICATIONS:

STATOR: 2.165 Ohms
 ROTOR: 4.356 Ohms
 CAPACITOR LEADS: 5.710 Ohms

WIRING DIAGRAM

