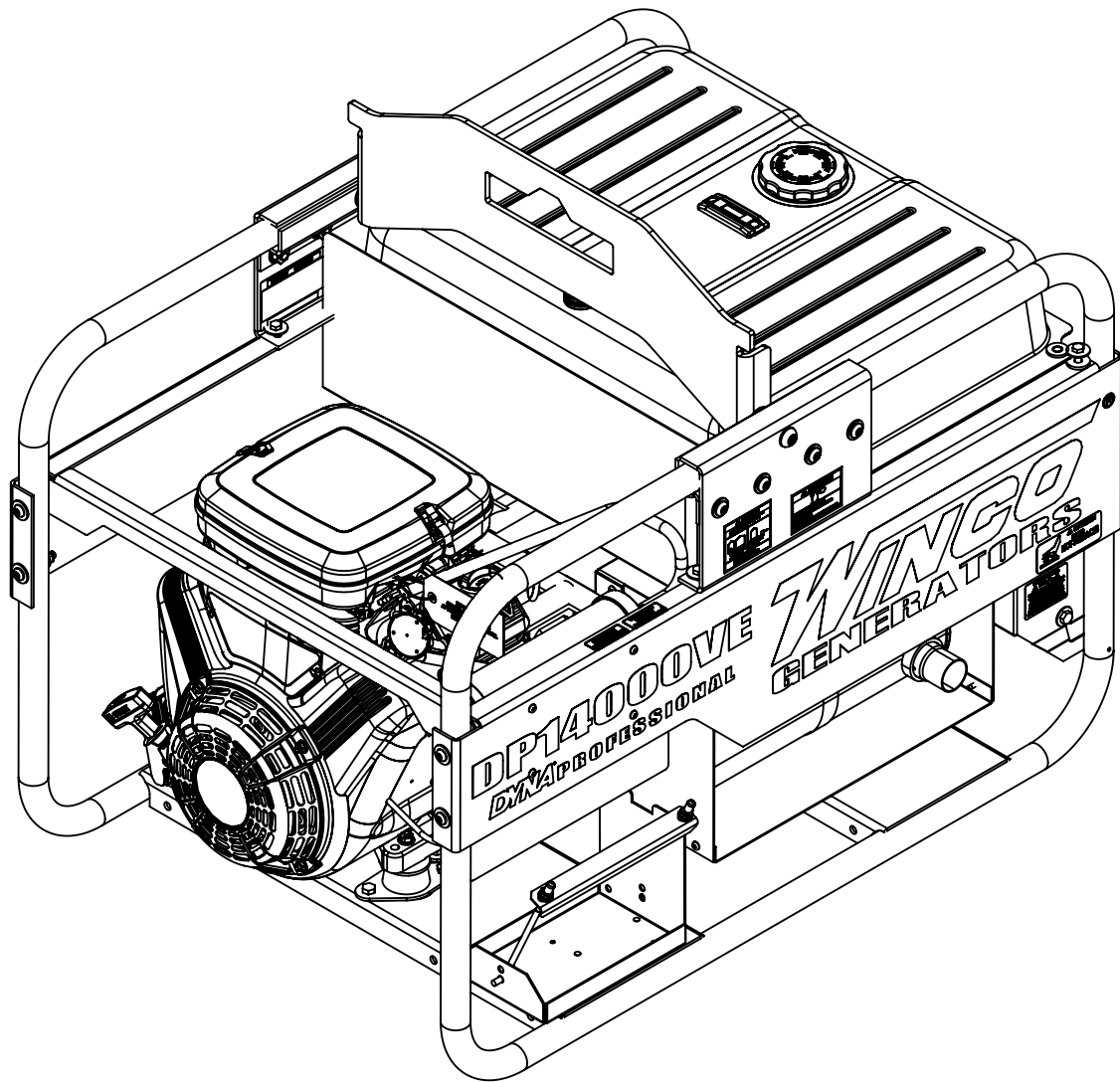


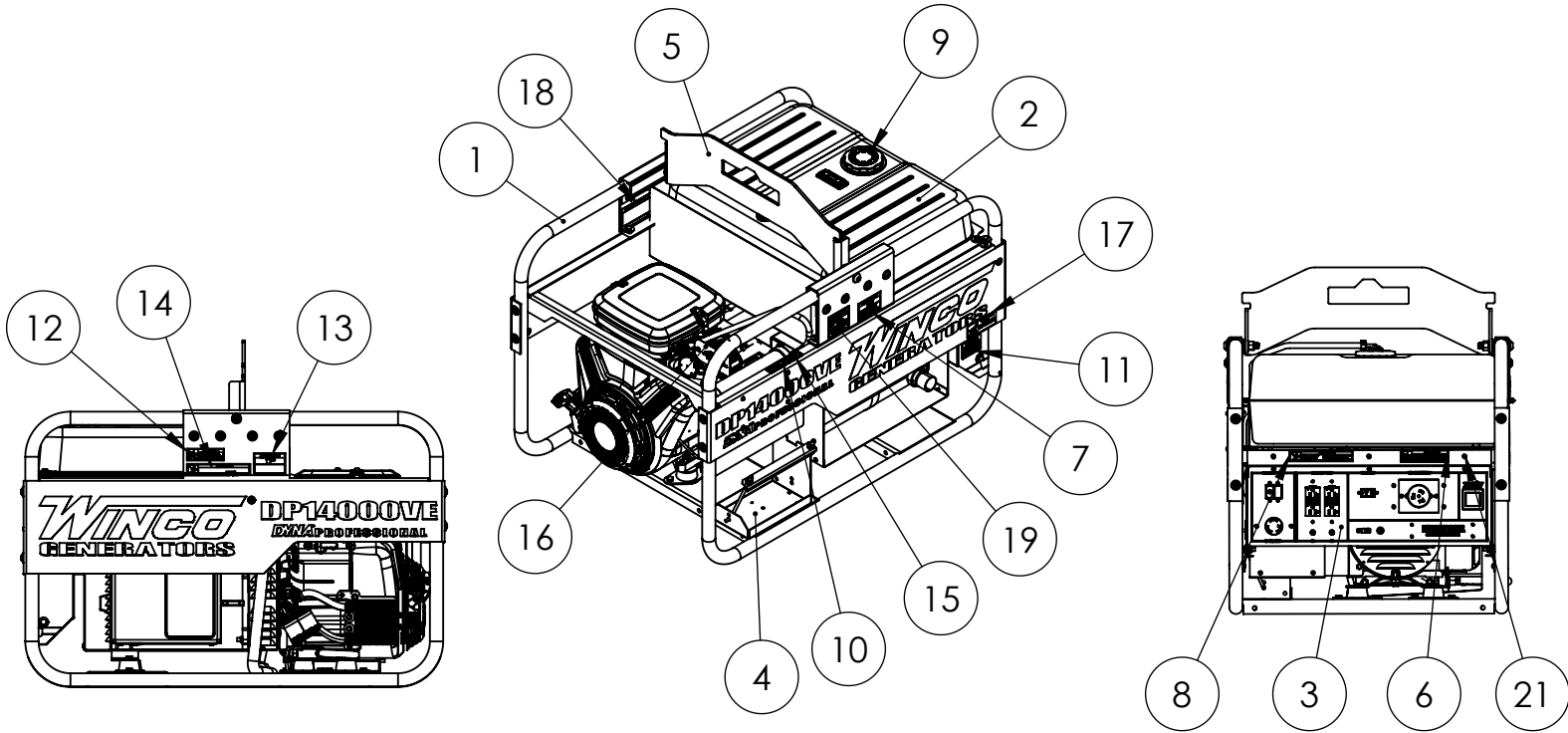
WINCO[®]

DP14000VE-03/A Parts List



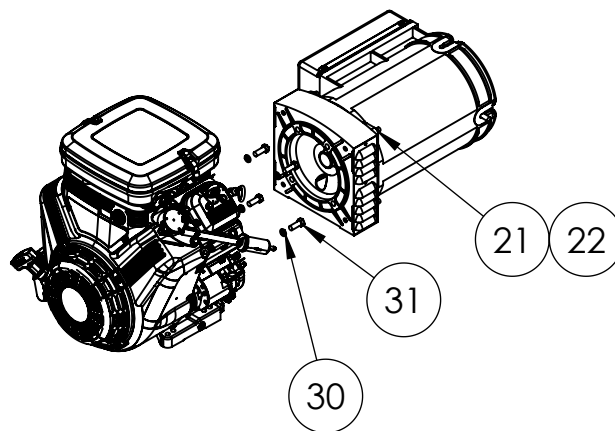
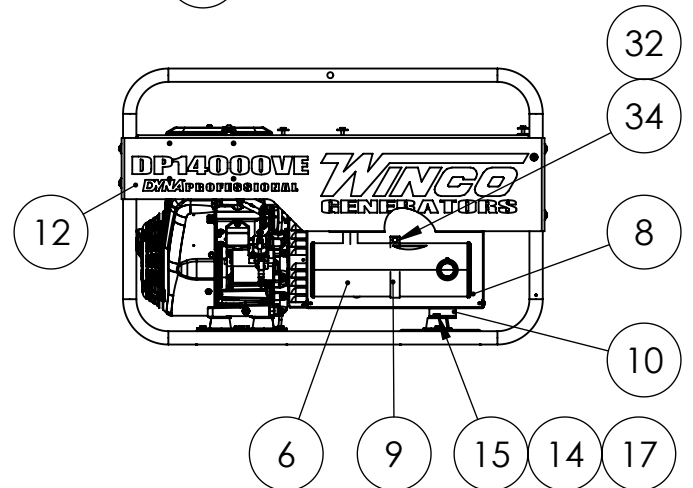
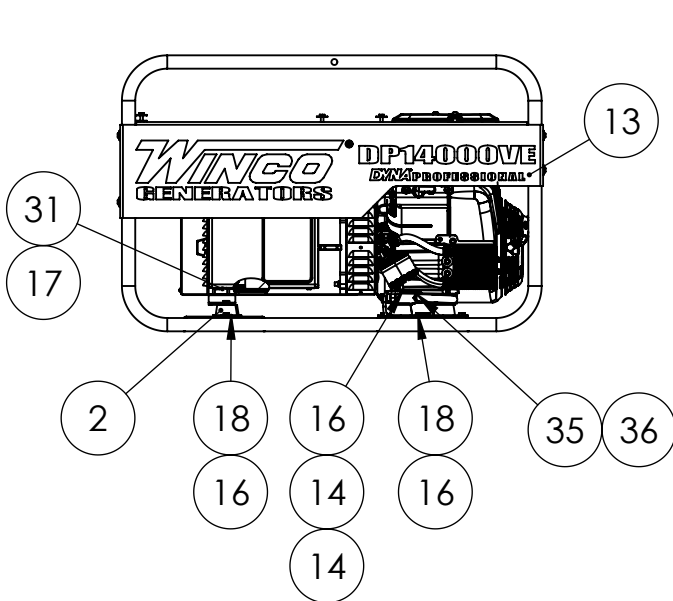
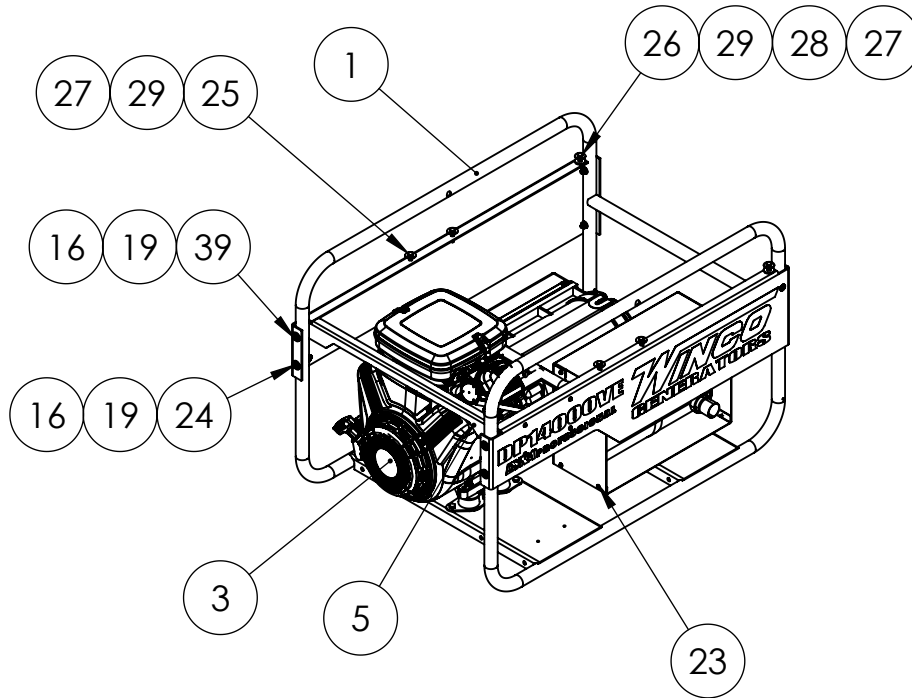
WINCO Service
Phone: 507-357-6831
Email: service@wincogen.com
www.wincogen.com

General Assembly



ITEM NO.	PART NUMBER	DESCRIPTION	QTY.
1	18000-061	ENGINE GENERATOR AND CRADLE	1
2	15163-106	FUEL TANK INSTALLATION	1
3	15457-099	RECEPTACLE ASSEMBLY	1
4	16175-022	BATTERY INSTALLATION	1
5	300144-14	LIFTING EYE ASSEMBLY	1
6	15209-001	GASOLINE DECAL	1
7	15209-002	DECAL - DANGER CARBON MONOXIDE	1
8	15209-003	UL-DECAL ELECTRICAL SHOCK CAN KILL	1
9	15209-013	DECAL - FUEL TYPE GASOLINE	1
10	15209-014	DECAL - CHECK OIL	1
11	15209-036	PROP 65 WARNING DECAL	1
12	15209-101	DECAL, GASOLINE DANGER, FRENCH	1
13	15209-102	DECAL - DANGER CARBON MONOXIDE	1
14	15209-103	UL-DECAL ELECTRICAL SHOCK CAN KILL	1
15	16200-507	MAINT KIT DECAL	1
16	60710-018	OIL WARNING TAG	1
17	63941-001	DECAL - HOT SURFACES	1
18	63966-004	NAMEPLATE, WINCO PORTABLE	1
19	64918-000	DECAL-DANGER (CO) USE OUTSIDE	1
20	15715-095	DECAL KIT, PACKAGING, BIG DOG STYLE, STACK 2	1
21	21698-001	TORX PAN HEAD SCREW #10	5

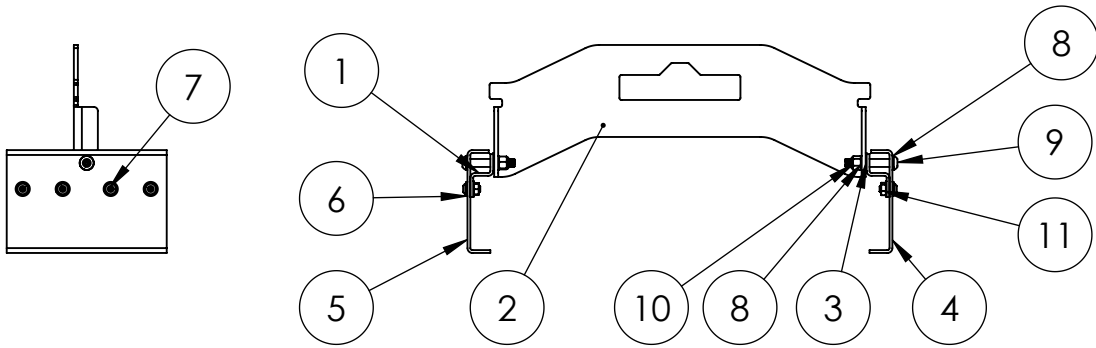
Cradle Assembly



Cradle Assembly Continued.

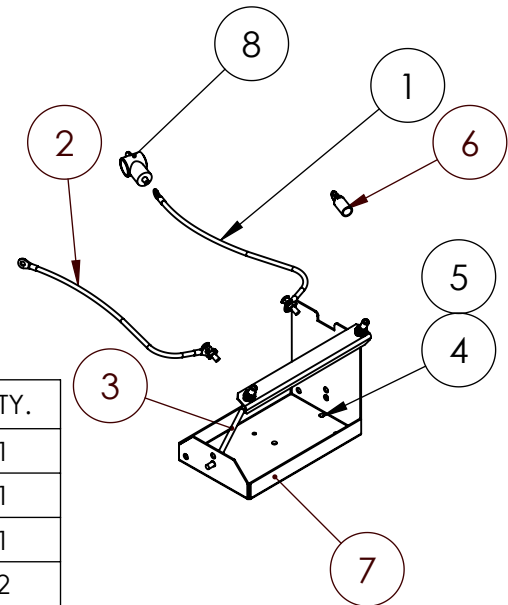
ITEM NO.	PART NUMBER	DESCRIPTION	QTY.
1	63073-067	WELDED CRADLE ASSEMBLY	1
2	98807-000	SHOCKMOUNT 40 DURO	6
3	16409-000	ENGINE-BRIGGS VANGUARD 23 CARB, BLACK, 627CC, 23 HP	1
4	16428-002	GEN END, 15.5kW, 120/240VAC	1
5	15212-084	CRADLE SUPPORT	1
6	350590-29	VG23 MUFFLER	1
7	15687-069	MUFFLER BRACKET	1
8	15687-077	MUFFLER HEAT SHIELD	1
9	350264-17	5IN MUFFLER BRACKET	1
10	16335-028	SUPPORT, GENERATOR	1
11	16479-012	VANGUARD 23 MANIFOLD	1
12	300216-45	LEFT SIDE RAIL	1
13	300217-45	RIGHT SIDE RAIL	1
14	98806-000	WASHER .406 X 2	10
15	91658-007	3/8-16X2.5	2
16	16249-000	.3125-18 FLANGE	28
17	16250-000	.375-16 FLANGE NUT	4
18	467-000	HHCS 5/16-18X.75	12
19	526-000	WASHER ID .375 OD .890	10
20	477-000	HHCS .3125-18X.625	4
21	16446-000	M8-1.25 NYLOCK	4
22	64908-001	HHCS M8-1.25X35MM 8.8GR ZINC	4
23	21698-001	TORX PAN HEAD SCREW #10	13
24	64858-005	BHSCS 5/16-18 X 2.00	6
25	439-000	HHB .25-20 X 1	2
26	95281-000	.25-20X1.25 HHB	4
27	16248-000	.25-20 FLANGE NUT	6
28	23558-000	FLAT WSHR. .3435 X 1 .125 THK. ZINC	2
29	267-002	FLAT WSH 9/32X1X.063	6
30	481-000	LOCK 3/8 SPLIT	4
31	91658-001	HHCS 3/8-16X1	6
32	479-000	LOCK WASHER .25IN ID.	1
33	93489-010	1.25" ID EXHUAUST CLAMP	1
34	20544-001	HHCS 1/4-20 X 2-1/4 GR2	1
35	300349-6	ADAPTER M16X1.5(M) X 3/8-18NPT (F)	1
36	93079-003	OIL DRAIN HOSE 14 INCH .375NPT	1
37	9769-145	LEAD WIRE ASSY (GROUND)	1
38	91107-000	5/16-18 X 3.5	4
39	64858-006	BHSCS 5/16-18 X 2.25 BUTTON HEAD SOCKET CAP SCREW	2

Lifting Eye Assembly



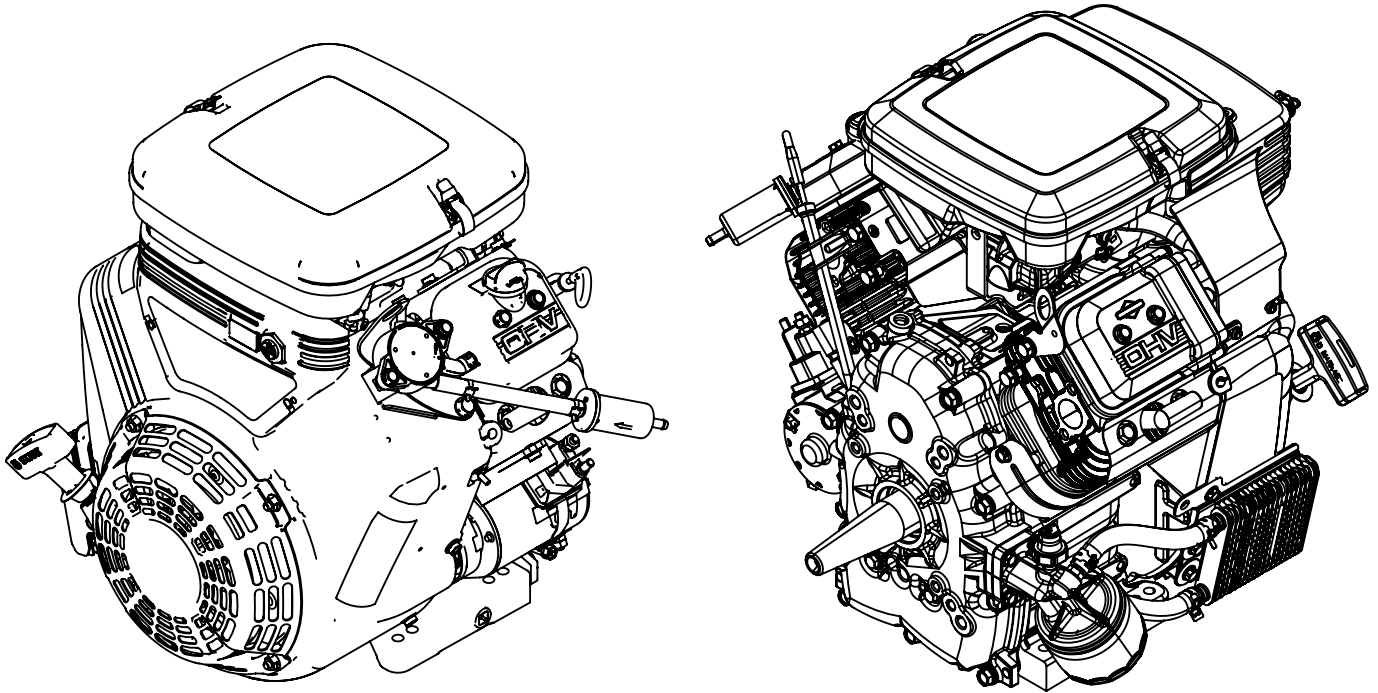
ITEM NO.	PART NUMBER	DESCRIPTION	QTY.
1	300147-6	LIFTING EYE SUPPORT BRACKET	2
2	300148-18	LIFTING EYE	1
3	96286-008	FLAT WASHER NYLON 1.25 OD, .508 ID, .062 THK	2
4	300149-20	LIFTING EYE SIDE SUPORT RIGHT	1
5	300149-21	LIFTING EYE SIDE SUPPORT LEFT	1
6	526-000	WASHER ID .375 OD .890	8
7	64858-010	BHSCS 3/8-16 X 0.875	8
8	21867-001	FLAT WASHER .51 X .88 X .05	4
9	64858-008	BHSCS 1/2-13 X 3.00 BUTTON HEAD SOCKET CAP SCREW	2
10	92242-000	NUT HEX .500-13 NYLOCK	2
11	16250-000	.375-16 FLANGE NUT	8

Battery Installation



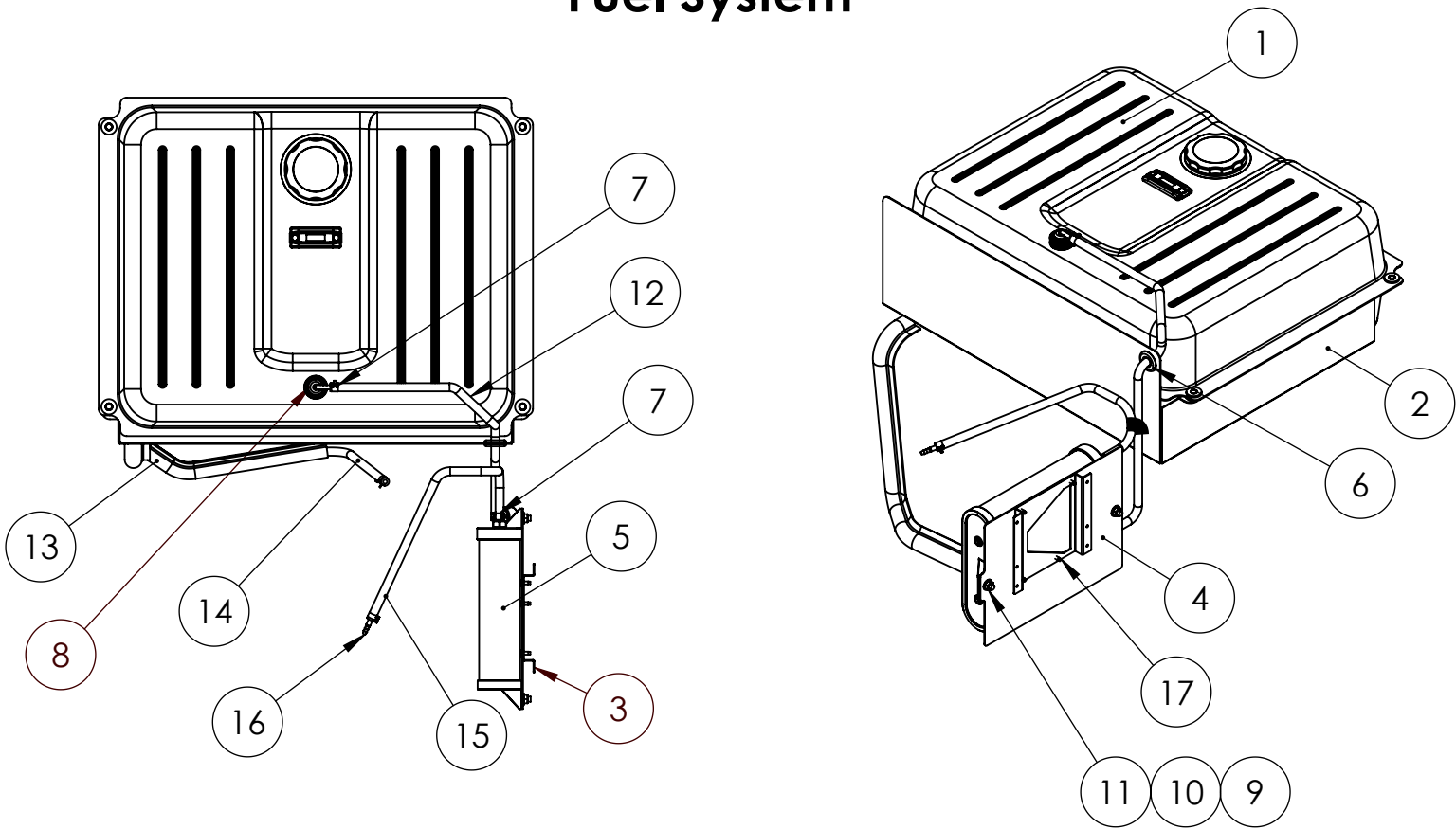
ITEM NO.	PART NUMBER	DESCRIPTION	QTY.
1	15767-027	(POS BATTERY CABLE)	1
2	15767-031	(NEG BATTERY CABLE 16 in)	1
3	15807-002	KIT, BATTERY HOLD DOWN	1
4	95568-000	THREAD STUD 10-24 X .625	2
5	99671-000	#10-24 HEX NUT	2
6	16234-000	CAP PLUG	1
7	15676-013	BATTERY TRAY	1
8	16145-000	INSULATOR, TERMINAL	1

Engine



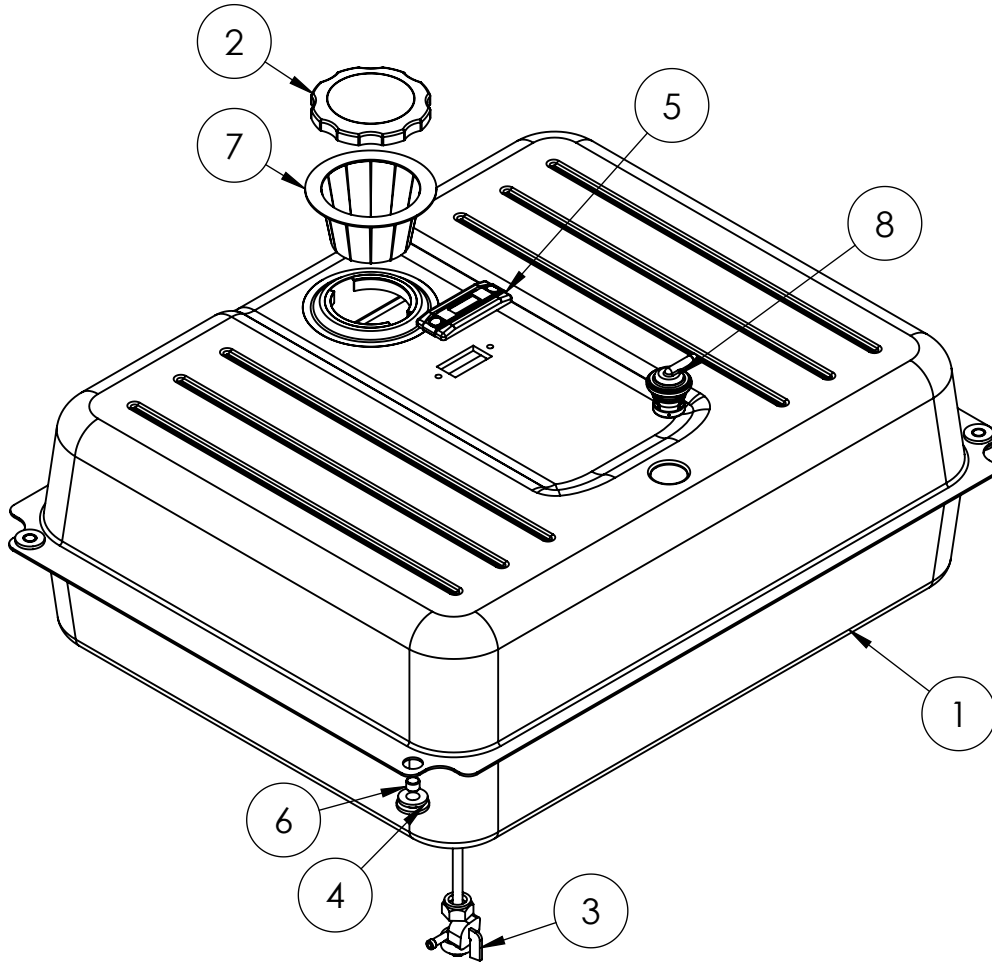
ITEM NO.	PART NUMBER	DESCRIPTION	QTY.
1	2-107	AIR FILTER	1
2	2-123	PRE-AIR FILTER	1
3	2-105	OIL FILTER	1
4	2-106	FUEL FILTER	1
5	300515-31	ENGINE OIL	2
6	2-109	SPARK PLUGS	2
ALL ITEMS LISTED IN THE ABOVE TABLE ARE INCLUDED WITH A 16200-007 MAINTENANCE KIT PURCHASE			
7	2-132	STARTER MOTOR	1
8	2-135	STARTER SOLENOID	1
9	2-122	RECTIFIER REGULATOR	1
10	2-110	FUEL PUMP	1
Contact WINCO service or your Honda dealer for full engine part support.			

Fuel System



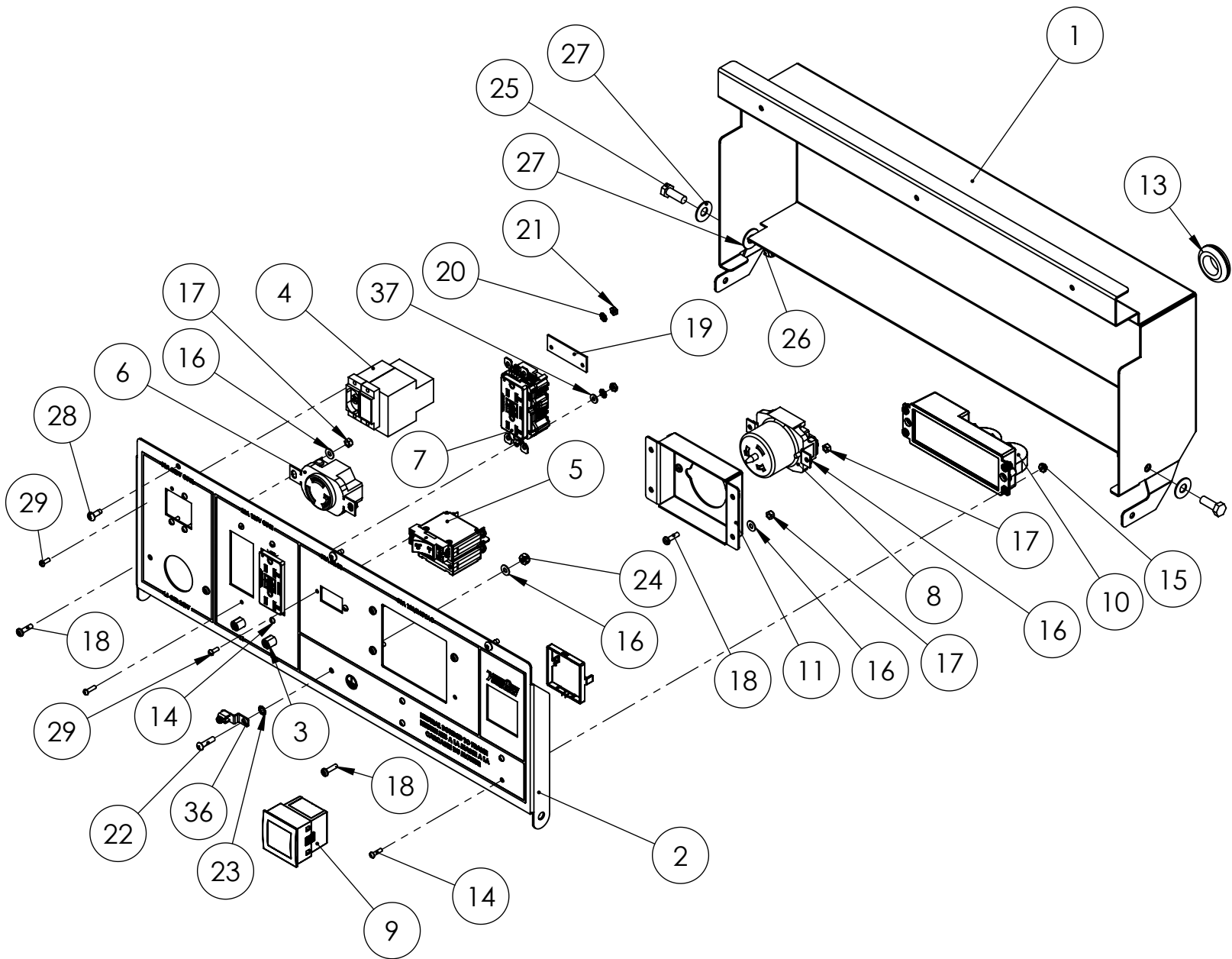
ITEM NO.	PART NUMBER	DESCRIPTION	QTY.
1	64024-014	FUEL TANK 15 GAL. STEEL GASOLINE	1
2	15462-051	FUEL TANK TRAY 15 GAL	1
3	81900-007	CARBON CANISTER MOUNTING BRACKET	1
4	81900-011	CARBON CANISTER MOUNTING PLATE	1
5	80900-001	CARBON CANISTER	1
6	23917-000	GROMMET .6875ID X 1	1
7	62999-001	HOSE CLAMP .5 OD RED	6
8	80903-002	SLOSH VALVE 1/4" HOSE	1
9	467-000	HHCS 5/16-18X.75	2
10	526-000	5/16 FLAT WASHER	2
11	16249-000	.3125-18 FLANGE	2
12	40078-018	.25IN ID RUBBER HOSE 26IN LONG	1
13	62625-004	30 IN HEAT SLEEVE	1
14	40078-031	HOSE .25 ID RUBBER 36IN	1
15	40078-008	HOSE .25ID RUBBER 24IN	1
16	98590-002	HOSE REDUCER 1/4X3/16 (SCP)	1
17	21698-001	TORX PAN HEAD SCREW #10	4

Fuel Tank



ITEM NO.	PART NUMBER	DESCRIPTION	QTY.
1	64024-014	FUEL TANK 15 GAL STEEL GASOLINE	1
2	64024-401	FUEL CAP, SEALED, AUDIBLE, TETHERED	1
3	64024-404	168B FUEL CONTROL VALVE	1
4	64024-406	RUBBER BUSHING	4
5	64024-407	FUEL LEVEL GAUGE, 180MM	1
6	64024-405	ANTI-CRUSH INSERT	4
7	64024-403	FUEL FILTER	1
ALL ITEMS LISTED IN THE TABLE ABOVE ARE INCLUDED WITH A 64024-14 FUEL TANK PURCHASE			
8	80903-002	SLOSH VALVE 1/4" HOSE	1
9	61273-262	TOUCH UP PAINT, BLACK 3048	1

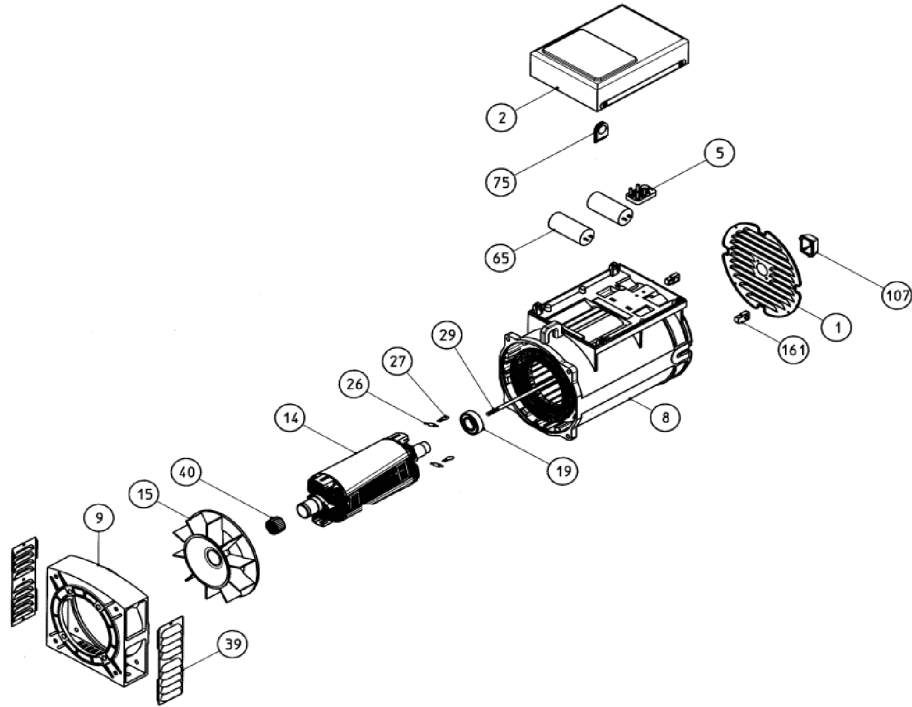
Receptacle Assembly



Receptacle Assembly Continued.

ITEM NO.	PART NUMBER	DESCRIPTION	QTY.
1	15221-069	RECEPTACLE BOX	1
2	15458-099	DP14000 RECEPTACLE PANEL	1
3	91286-006	CIRCUIT BREAKER 25A-1PL	2
4	16488-018	CIR.BRK.30A-2PL-240V-GFCI-CARLING	1
5	16488-023	CIR.BRK.50A-2PL-240V	1
6	57324-000	NEMA L6-30R	1
7	15147-003	RECEPTACLE NEMA 5-20R GFCI DUPLEX	2
8	91889-000	RECEPT 125/250V 50A	1
9	58166-009	DISPLAY MODULE	1
10	58166-010	TERMINAL BLOCK MODULE	1
11	92072-014	50 AMP RECEPTACLE BRACKET	1
12	58165-18	DISPLAY MODULE CABLE	1
13	16302-000	GROMMET .875ID X 1.25	1
14	7792-001	BZ RHMS 6-32X.5	8
15	51802-000	NUT HEX #6-32 NYLOCK	4
16	511-000	#8 FLATWASHER	9
17	95985-000	NUT HEX #8-32 NYLOK	8
18	24198-001	BHMS #8-32 x .625 BLACK	8
19	64045-041	MOUNTING STRAP, 2 HOLE, 1.800 IN	1
20	22989-000	#6 LOCKWASHER	4
21	394-000	NUT HEX #6-32	4
22	420-001	BZ RHMS 10-24X3/4 PHILLIPS	1
23	22423-000	LOCKWASHER #10	1
24	5315-000	NUT HEX 10-24 NYLON	1
25	465-000	.3125-18X.875 HHB	2
26	47136-000	HEX NUT .3125-18 NYLOK	2
27	526-000	FLAT WASHER 5/16_3/8	4
28	21698-001	TORX PAN HEAD SCREW #10	3
29	6917-001	RHMS 6-32 X .375 BLACK ZINC	6
30	48602-003	TERMINAL FEMALE 16-14 AWG .250 TAB	2
31	4156-000	TERMINAL RING 12-10 #10 STUD	13
32	22370-007	TERMINAL SPADE 16/14AWG #10STUD	10
33	4158-000	TERMINAL RING 16-14 AWG #10	2
34	22370-013	TERMINAL, SPADE, 12-10AWG, #10 STUD	4
35	48602-010	TERM FEMALE 10-12AWG .250X.032 TAB	2
36	48042-001	TERMINAL, GROUND LUG, 6-14	1
37	425-000	#6 FLATWASHER	2

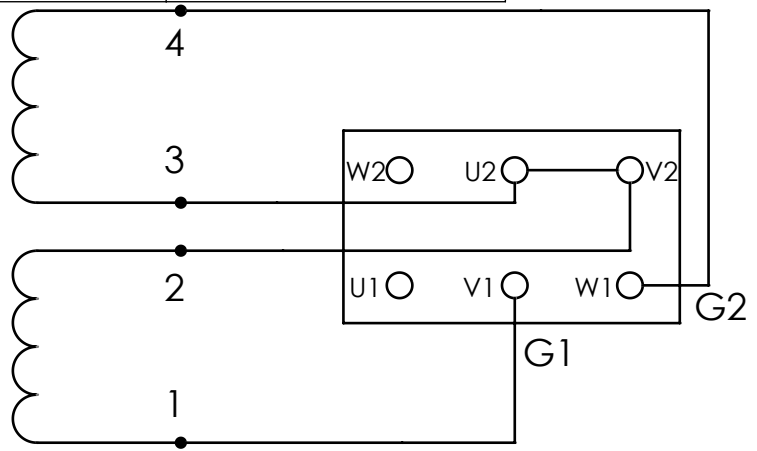
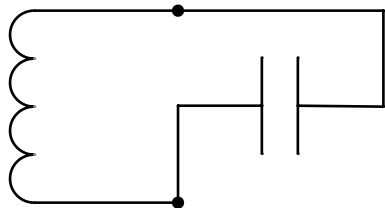
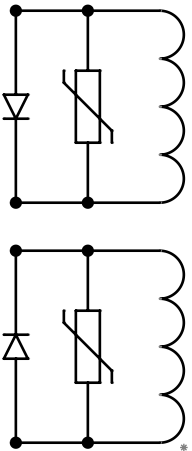
Generator Information



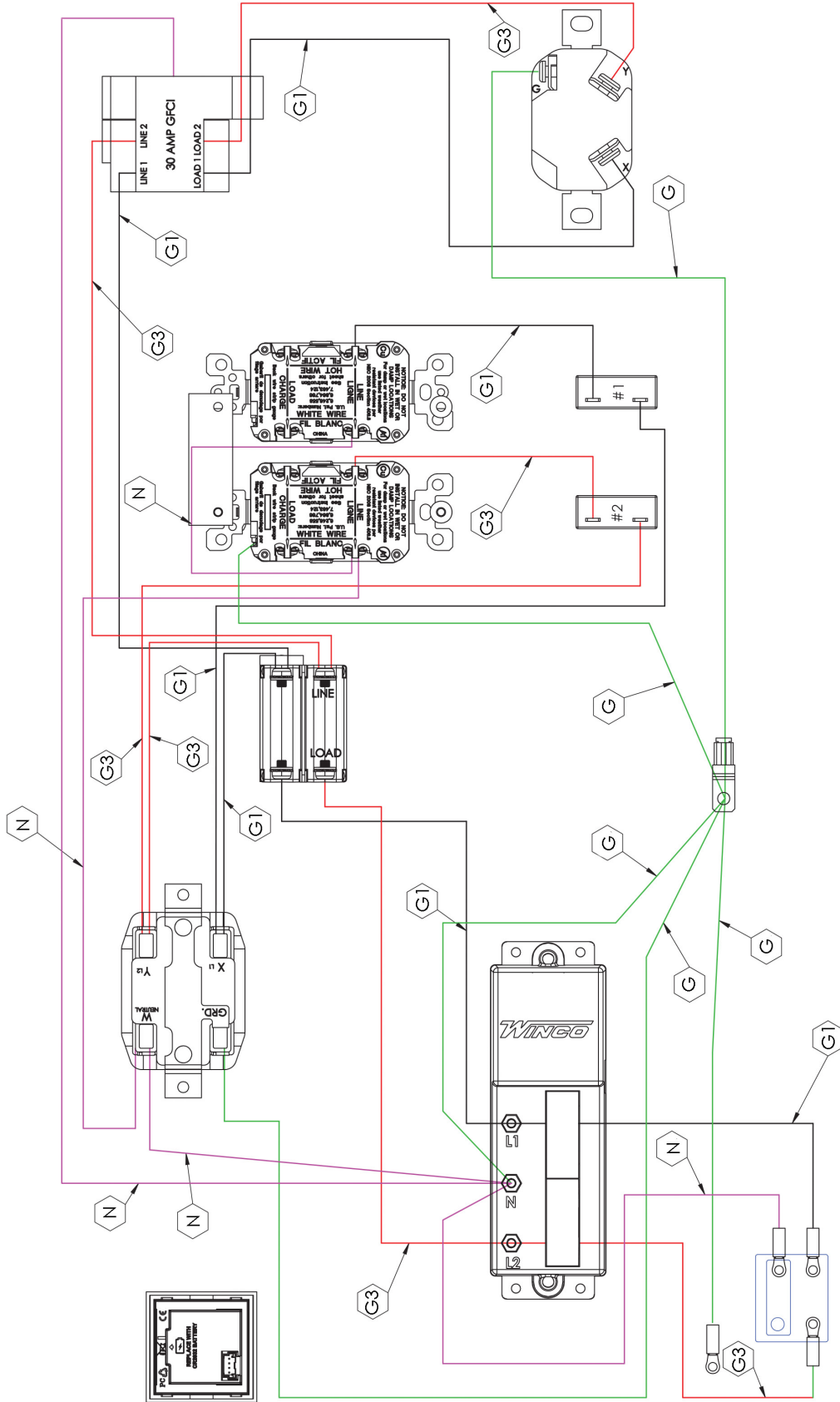
ITEM NO.	PART NUMBER	DESCRIPTION	QTY.
	16428-002	COMPLETE GENERATOR ASSEMBLY	
65	300323-112	31.5 μ F CAPACITOR	1
65	300323-212	35 μ F CAPACITOR	2
19	54665-000	BEARING	1
26	300323-207	DIODE	2
27	16346-106	VARISTER	2

Individual parts not listed here may be obtained from www.meccalte.com Winco Inc. sells the complete generator end or the individual parts listed above.

EXPECTED RESISTANCE (Ω)		
ROTOR	STATOR	EXCITATION
8.04 OHMS	0.056 OHMS	0.41 OHMS



Receptacles Wiring



Engine Electrical Schematic

