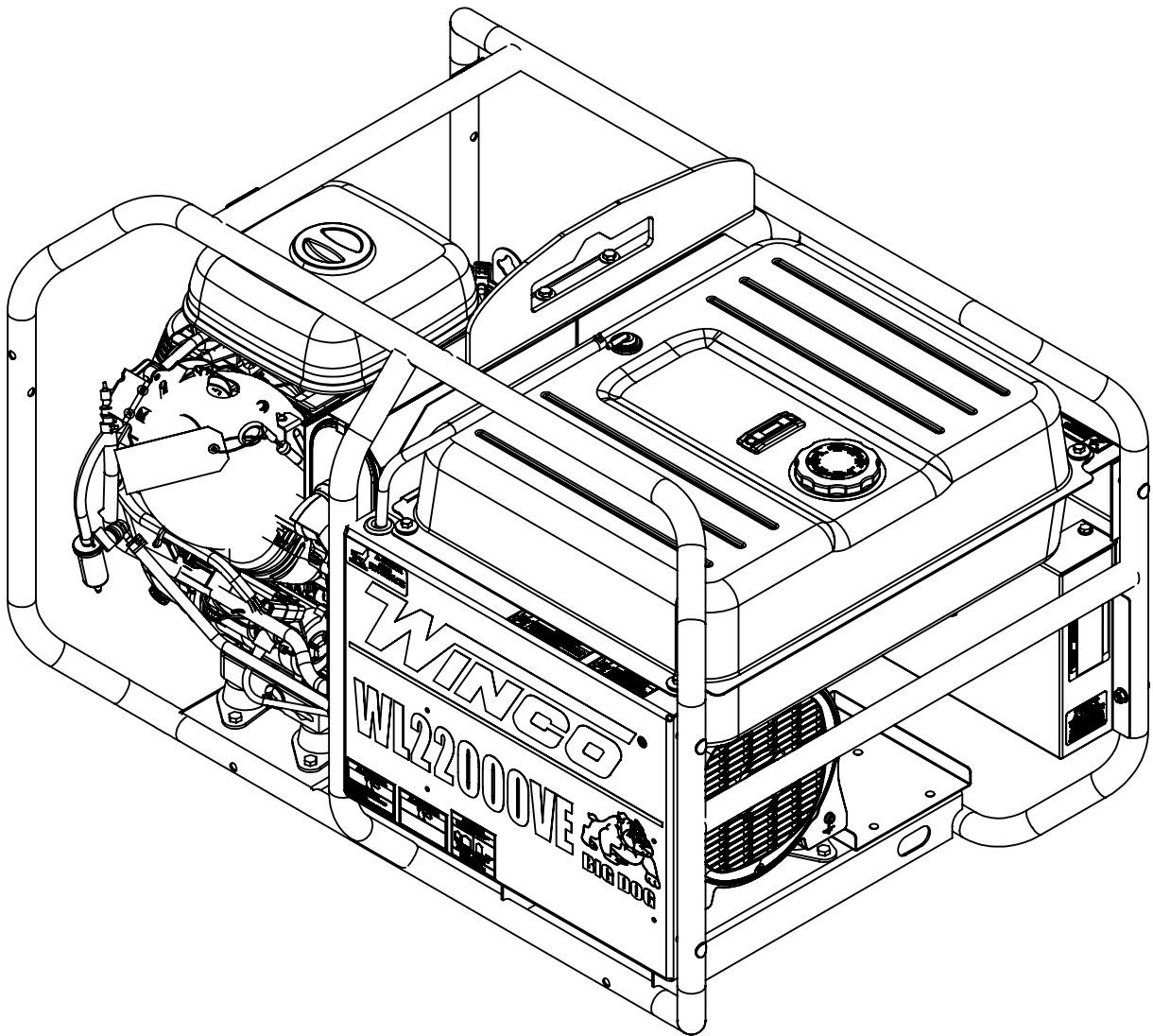


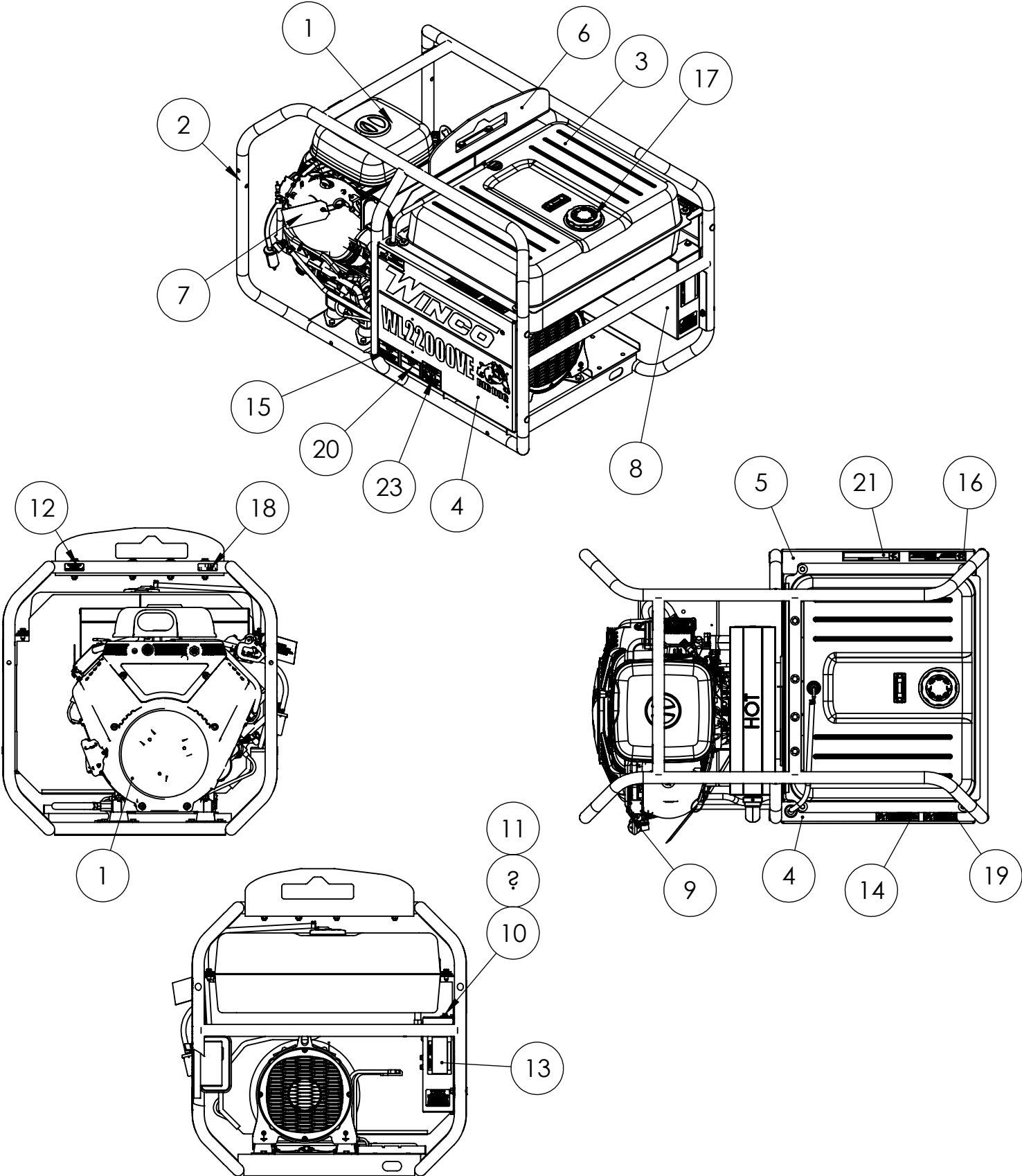
WINCO[®]

WL22000VE-03/A/B Parts List



WINCO Service
Phone: 507-357-6831
Email: service@wincogen.com
www.wincogen.com

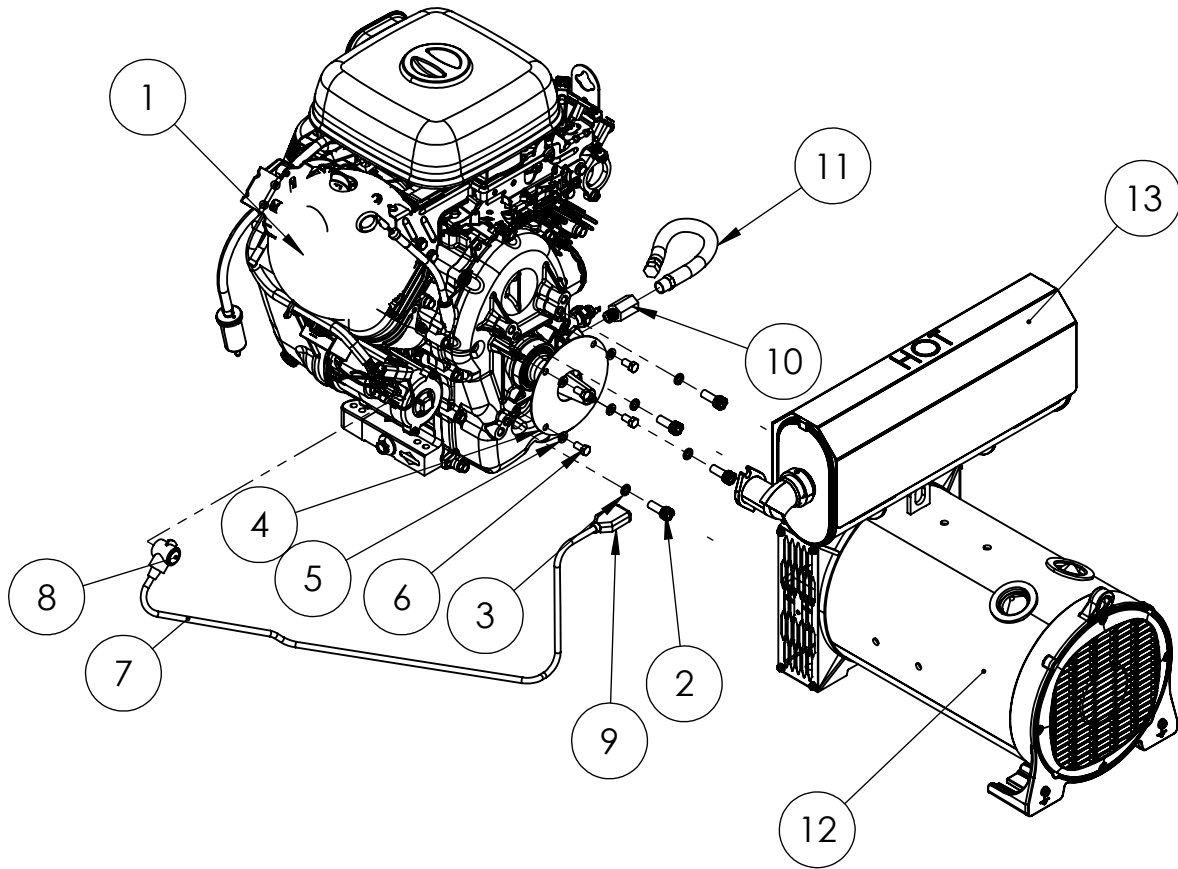
GENERAL ASSEMBLY



GENERAL ASSEMBLY COUNTINUED

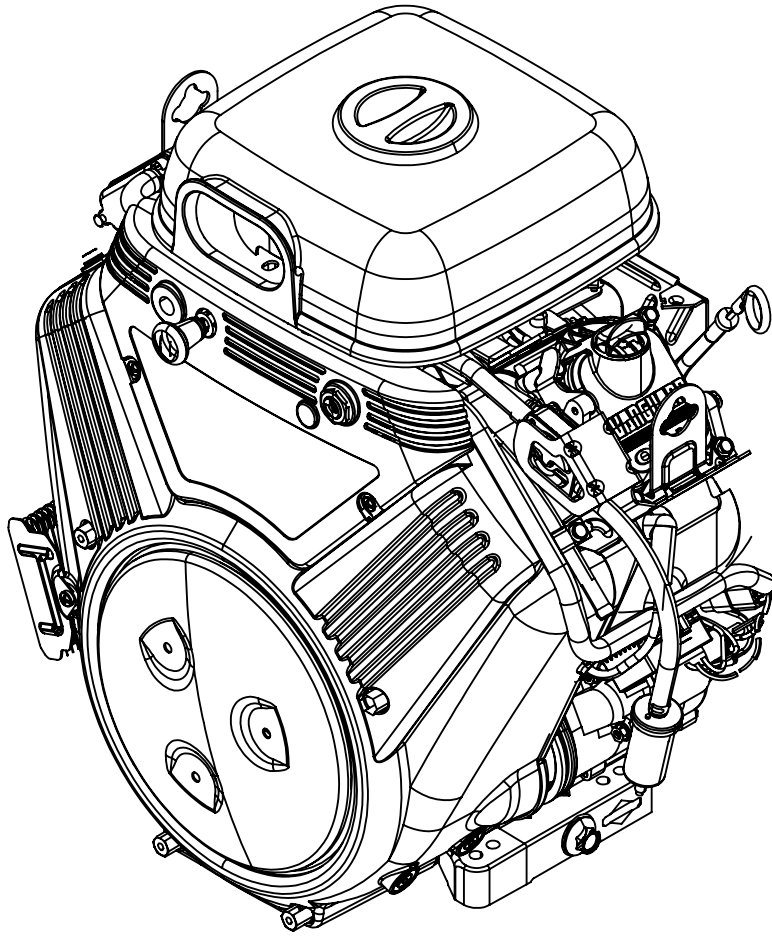
ITEM NO.	PART NUMBER	DESCRIPTION	QTY.
1	18000-075	ENGINE_GEN ASSEMBLY WL22000	1
2	18000-213	HARDWARE KIT WL22000	1
3	15163-107	FUEL SYSTEM ASSEMBLY	1
4	300216-49	LEFT SIDE PANEL ASSEMBLY	1
5	300217-40	RIGHT SIDE PANEL	1
6	300144-20	LIFTING EYE ASSEMBLY	1
7	60710-018	OIL WARNING TAG	1
8	15457-094	RECEPTACLE PANEL ASSEMBLY	1
9	62999-005	HOSE CLAMP .41 OD GREEN	1
10	466-000	.25-20X.75 HHB	3
11	512-000	.25 WASHER	3
12	16200-511	MAINTENANCE KIT DECAL	1
13	63966-004	NAMEPLATE, WINCO PORTABLE	1
14	15209-001	GASOLINE DECAL	1
15	15209-002	DECAL - DANGER CARBON MONOXIDE	1
16	15209-003	UL-DECAL ELECTRICAL SHOCK CAN KILL	1
17	15209-013	DECAL - FUEL TYPE GASOLINE	1
18	15209-014	DECAL - CHECK OIL	1
19	15209-101	DECAL, GASOLINE DANGER, FRENCH	1
20	15209-102	DECAL - DANGER CARBON MONOXIDE	1
21	15209-103	UL-DECAL ELECTRICAL SHOCK CAN KILL	1
22	15715-097	DECAL KIT, PACKAGING, BIG DOG STYLE, NO STACK	1
23	64918-000	DECAL-DANGER (CO) USE OUTSIDE	1
27	15209-036	PROP 65 WARNING DECAL	1
28	OPM-140	OPERATORS MANUAL WL22	1

ENGINE AND GENERATOR ASSEMBLY



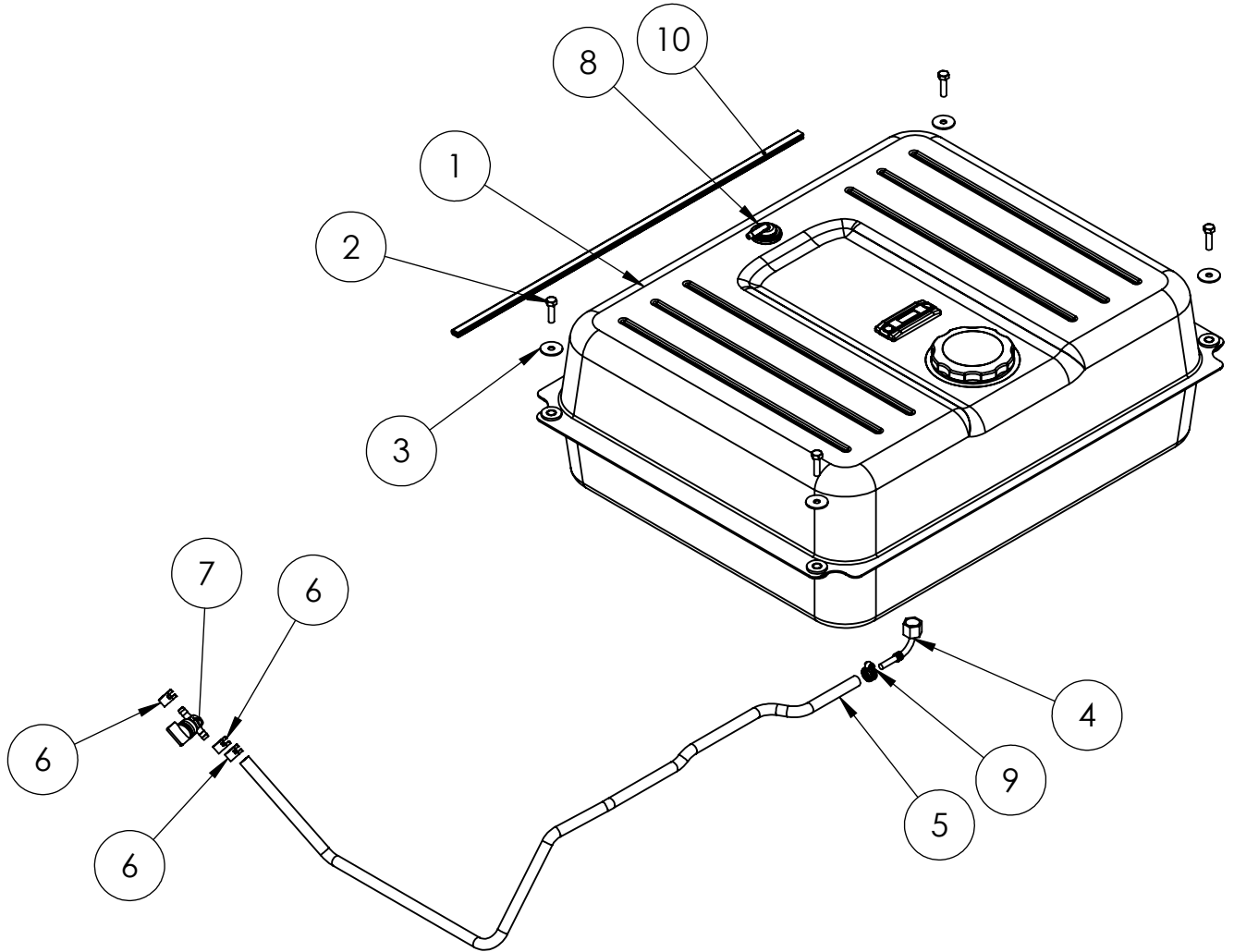
ITEM NO.	PART NUMBER	DESCRIPTION	QTY.
1	16420-001	BRIGGS AND STRATTON 993CC 35HP ENGINE	1
2	93704-000	SOC.HCS 3/8-16X1	4
3	481-000	LOCK 3/8 SPLIT	4
4	15144-014	ENGINE BAFFLE	1
5	480-000	5/16 SPLIT LOCKWASHER	4
6	57199-000	HHCS 5/16-24X5/8	4
7	22097-010	BATTERY CABLE POSITIVE 43IN UL	1
8	16145-000	TERMINAL INSULATOR	1
9	95901-002	(BATTERY TERMINAL BOOT - RED 2-1AWG)	1
10	300349-1	OIL DRAIN ADAPTER	1
11	93079-003	OIL DRAIN HOSE 14 INCH .375NPT	1
12	16346-043	GEN END, AME3C L2_2	1
13	350590-20	MUFFLER, CRITICAL GRADE	1
14	48602-003	TERMINAL FEMALE 16-14 AWG .250 TAB	1
15	48602-011	TERM MALE 12-10AWG .250X.032	1

Engine



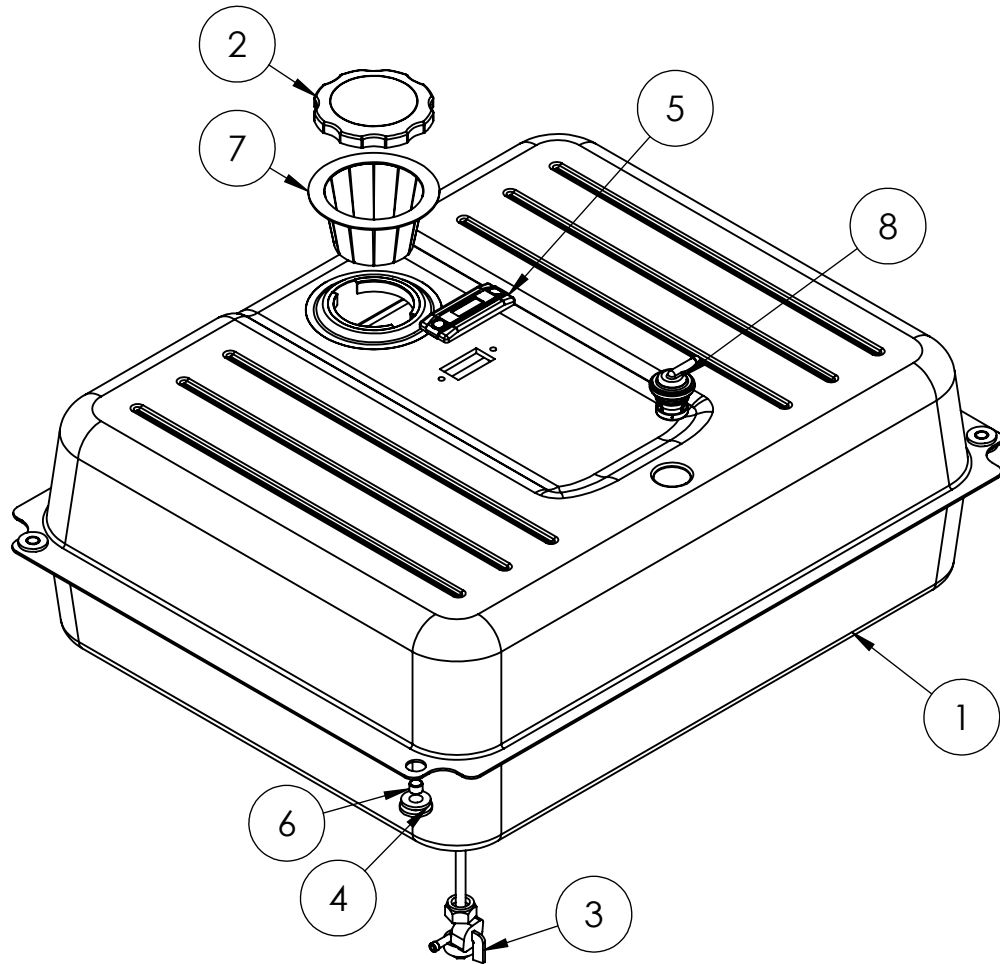
ITEM	PART NUMBER	DESCRIPTION	QTY
1	2-103	AIR FILTER	1
2	2-104	PRE-FILTER	1
3	2-105	OIL FILTER	1
4	2-106	FUEL FILTER	1
5	2-109	SPARK PLUG	2
6	300515-31	ENGINE OIL, PER QUART	3
ALL ITEMS LISTED IN THE ABOVE TABLE ARE INCLUDED WITH A 16200-011 MAINTENANCE KIT PURCHASE			
7	2-121	STARTER MOTOR	1
8	1-120	STARTER SOLENOID	1
9	2-115	RECTIFIER REGULATOR	1
10	2-114	FUEL PUMP	1
11	2-102	EXHAUST MANIFOLD GASKET	2
Contact WINCO service or your Briggs and Stratton dealer for full engine part support.			

Fuel System



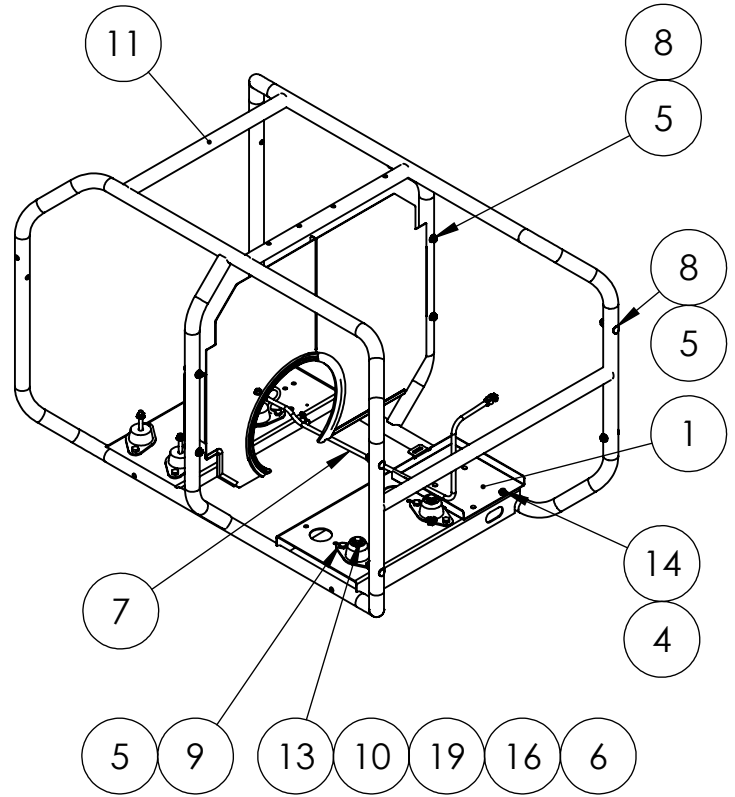
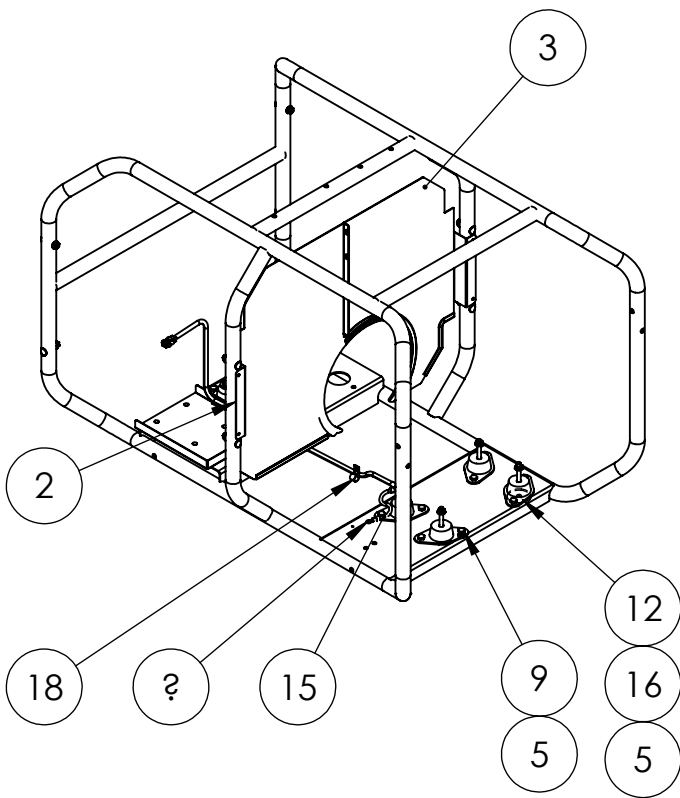
ITEM NO.	PART NUMBER	DESCRIPTION	QTY.
1	64024-014	FUEL TANK 15 GAL STEEL	1
2	439-000	.25-20 X 1 HHB	4
3	267-002	FLAT WSH 9/32X1X.063	4
4	64024-101	90 DEGREE FUEL TANK ELBOW	1
5	40078-030	1/4IN ID HOSE 35.5IN	1
6	62999-001	HOSE CLAMP .5 OD RED	3
7	98771-005	FUEL VALVE 1/4" HOSE BARB	1
8	80903-002	SLOSH VALVE 1/4" HOSE	1
9	81018-009	HOSE CLAMP .625-.250	1
10	58684-031	EDGE TRIM 22"	1

Fuel Tank



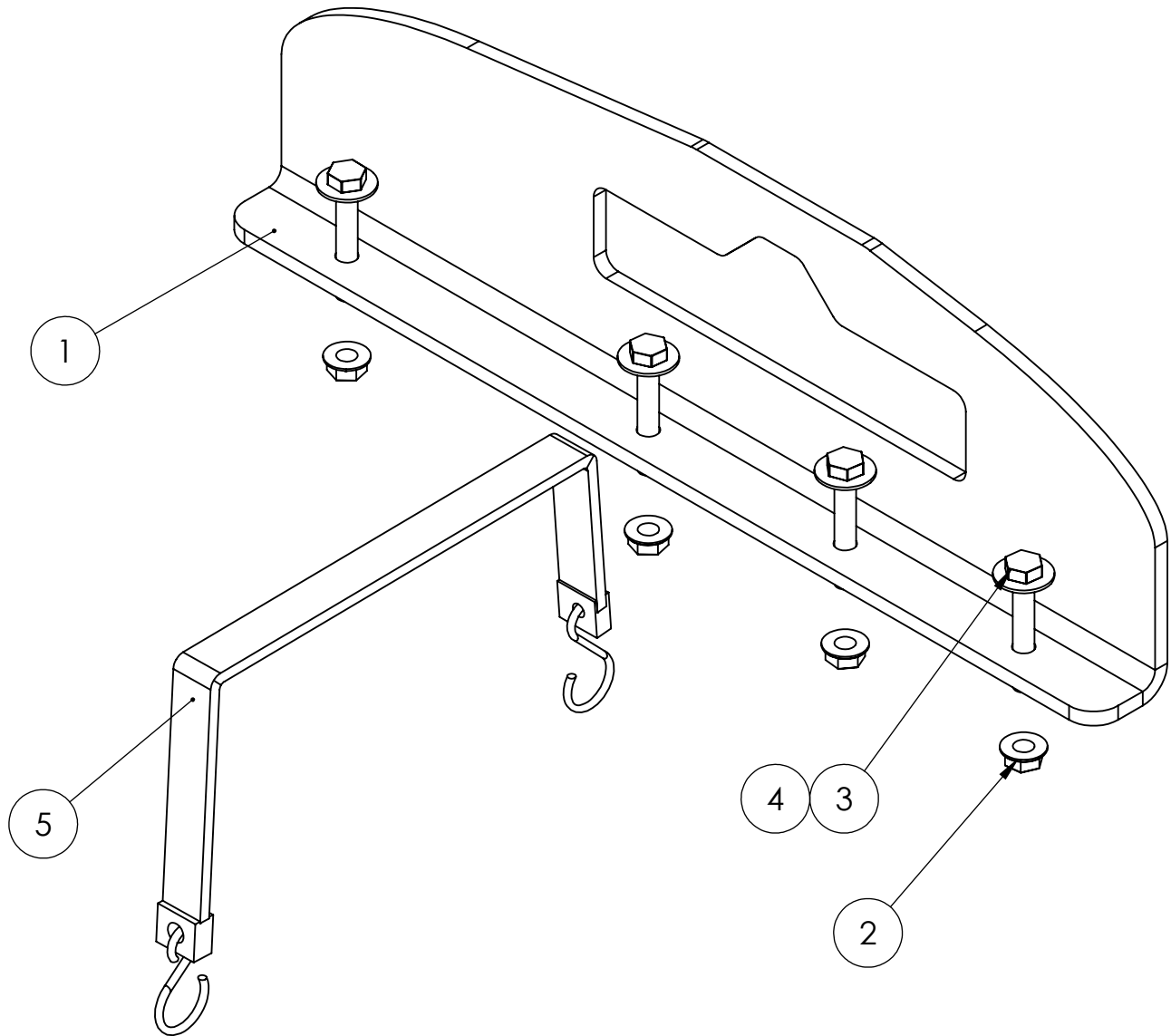
ITEM NO.	PART NUMBER	DESCRIPTION	QTY.
1	64024-014	FUEL TANK 15 GAL STEEL GASOLINE	1
2	64024-401	FUEL CAP, SEALED, AUDIBLE, TETHERED	1
3	64024-404	168B FUEL CONTROL VALVE	1
4	64024-406	RUBBER BUSHING	4
5	64024-407	FUEL LEVEL GAUGE, 180MM	1
6	64024-405	ANTI-CRUSH INSERT	4
7	64024-403	FUEL FILTER	1
<p>ALL ITEMS LISTED IN THE TABLE ABOVE ARE INCLUDED WITH A 64024-14 FUEL TANK PURCHASE</p>			
8	80903-002	SLOSH VALVE 1/4" HOSE	1
9	61273-262	TOUCH UP PAINT, BLACK 3048	1

Cradle & Hardware



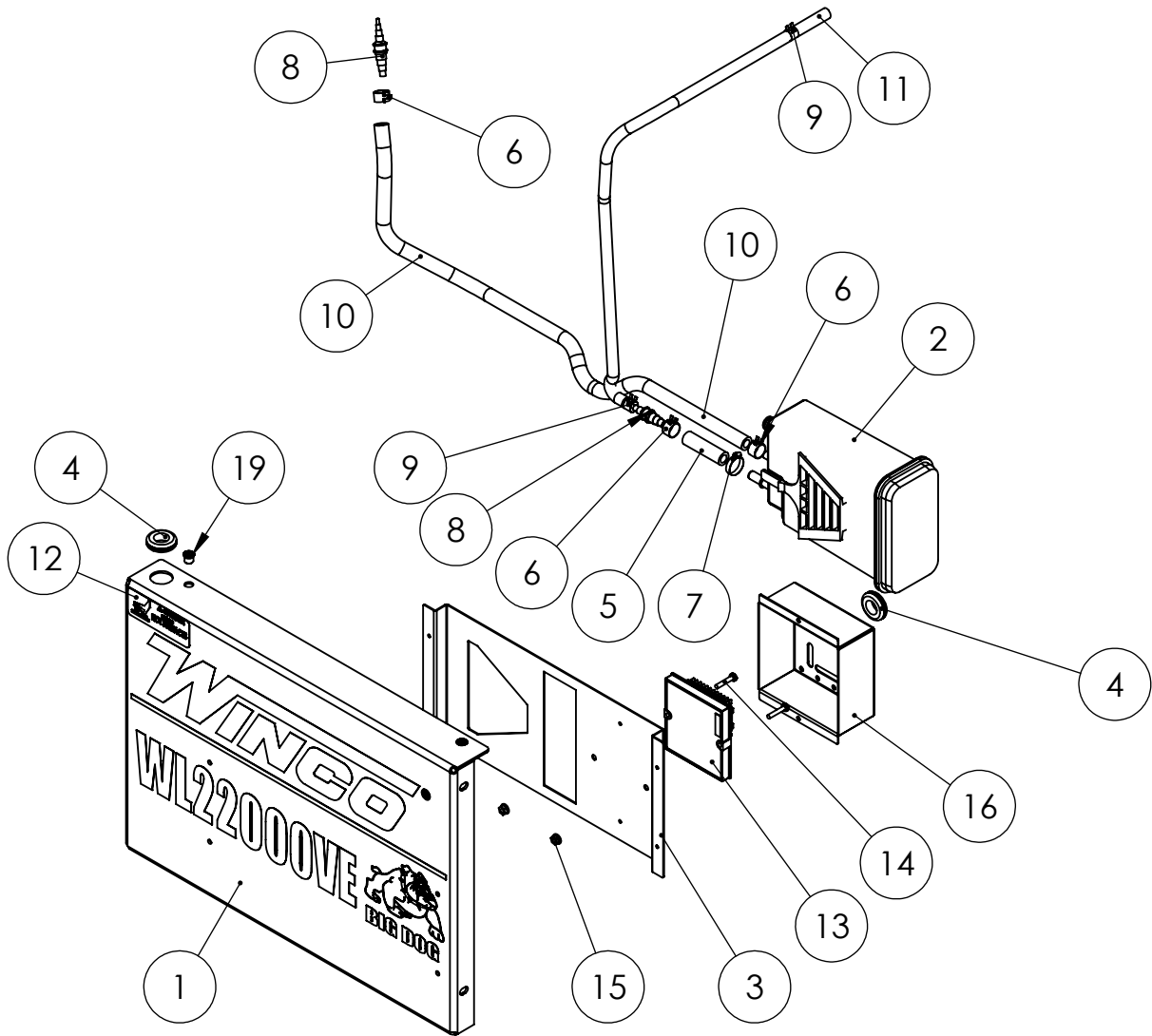
ITEM NO.	PART NUMBER	DESCRIPTION	QTY.
1	15676-027	BATTERY TRAY WL22000	1
2	15687-080	HEAT SHIELD RIGHT WL22000	1
3	15687-081	HEAT SHIELD LEFT WL22000	1
4	16248-000	.25-20 FLANGE NUT	4
5	16249-000	.3125-18 FLANGE	24
6	16250-000	.375-16 FLANGE NUT	2
7	22097-012	BATTERY CABLE NEGATIVE 32IN UL	1
8	23590-002	CURVED HEAD BOLT 5/16-18 X 1 3/4	8
9	467-000	.3125-18X.75 HHB	12
10	526-000	5/16 FLAT WASHER	2
11	63073-064	WL22000 WELDED CRADLE	1
12	91107-000	5/16-18 X 3.5	4
13	91658-008	HHCS 3/8-16X2-3/4 GR5	2
14	94980-001	THREAD STUD .25-20X.625	4
15	9769-145	LEAD WIRE ASSEMBLY	1
16	98806-000	WASHER .406 X 2	6
17	98807-000	SHOCKMOUNT 40 DURO	6
18	97391-007	TUBE CLAMP/CUSH.WIRE 1/2	1
19	21867-000	FLAT WASHER	2

Lifting Eye Assembly



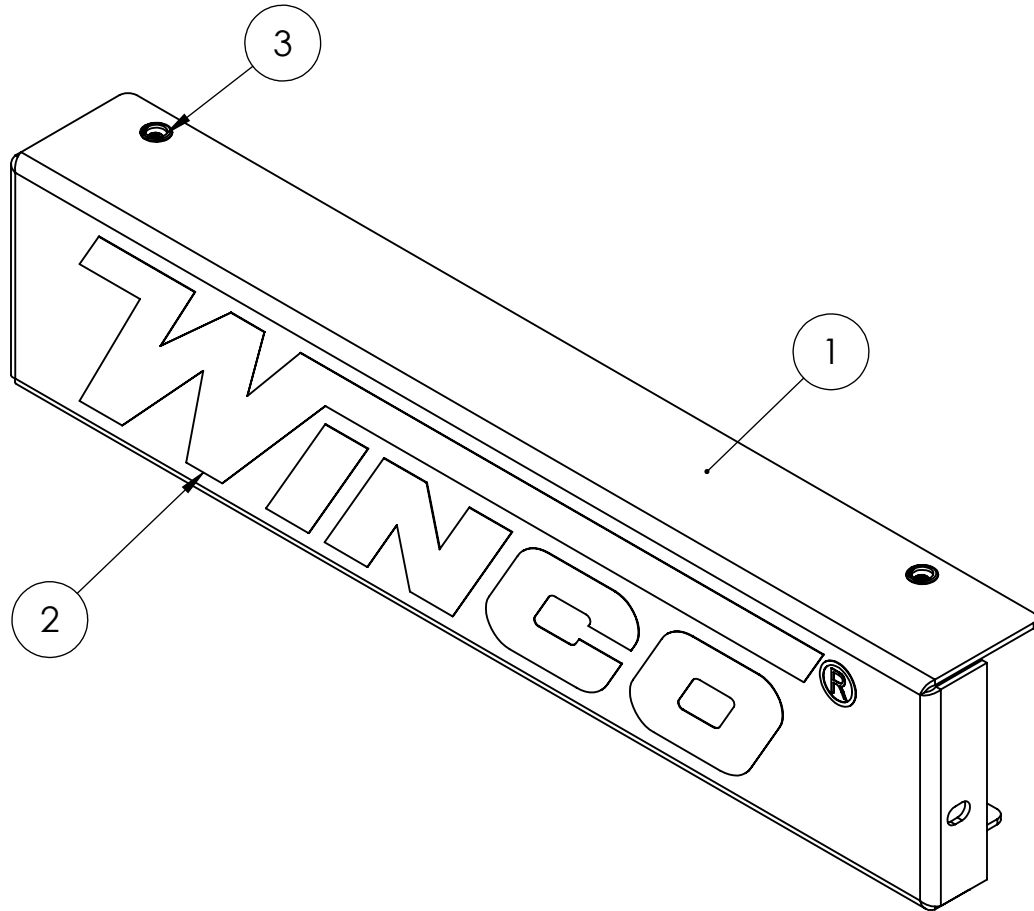
ITEM NO.	PART NUMBER	DESCRIPTION	QTY.
1	300148-25	LIFTING EYE	1
2	16249-000	.3125-18 FLANGE	4
3	91672-009	HHCS 5/16-18 X 2	4
4	526-000	FLAT WASHER 5/16_3/8	4
5	16329-001	RUBBER STRAP, BATTERY HOLD DOWN	1

Left Side Panel Assembly



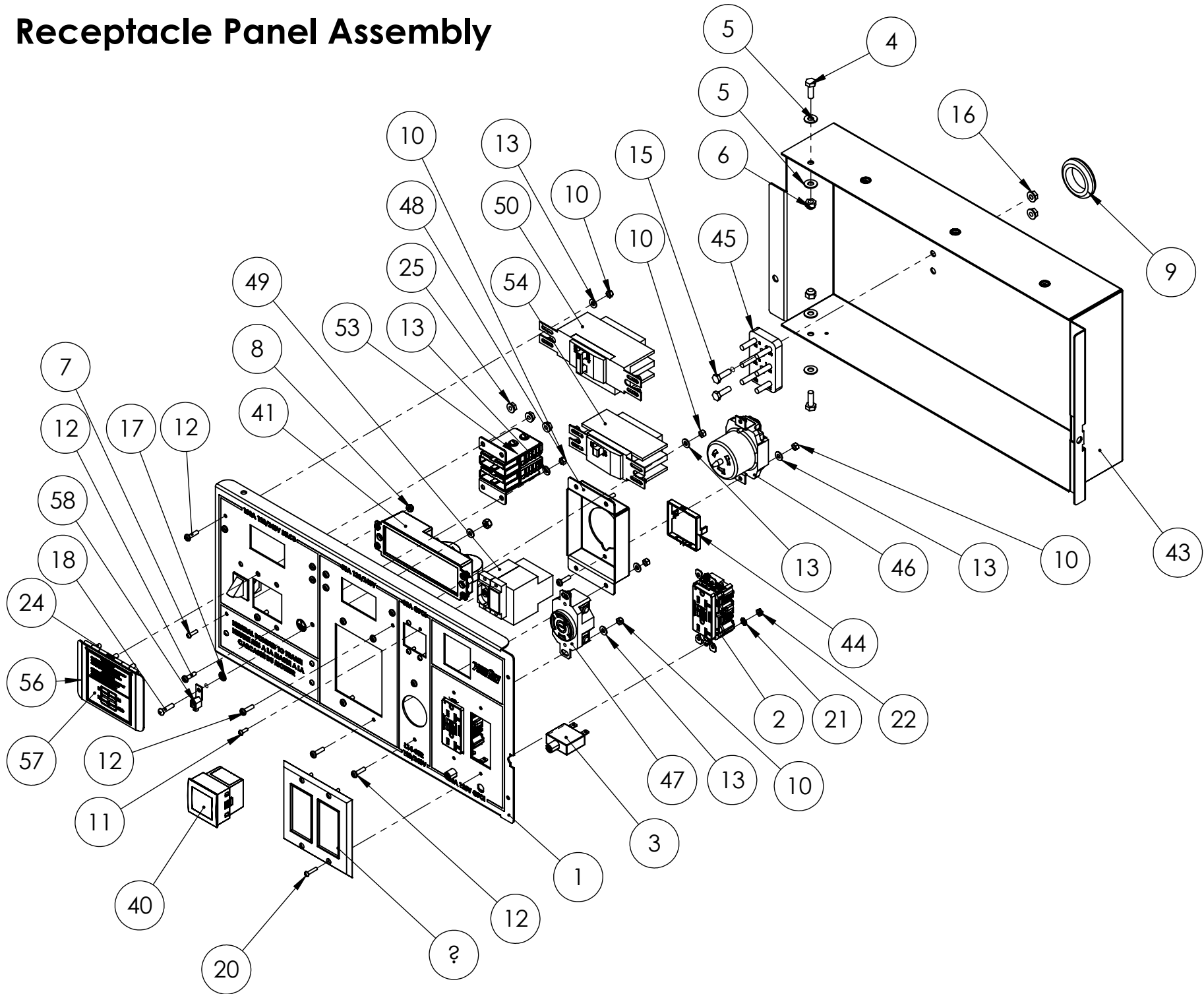
ITEM NO.	PART NUMBER	DESCRIPTION	QTY.
1	300216-48	LEFT SIDE PANEL	1
2	80900-000	15 GAL. CARBON CANISTER	1
3	81900-008	CARBON CANISTER MOUNTING BRACKET	1
4	23917-000	GROMMET .6875 X 1	2
5	55505-023	HOSE .375 ID RUBBER 2.25IN	1
6	62999-004	HOSE CLAMP .69 OD	3
7	81018-008	HOSE CLAMP .875-.25	1
8	98590-003	HOSE REDUCER 1/8-5/16 X 1/4-7/16	2
9	62999-001	HOSE CLAMP .5 OD RED	2
10	55505-027	3/8" ID HOSE 25"	1
11	40078-018	1/4" ID HOSE 26IN	1
12	63941-001	DECAL - HOT SURFACES	1
13	16428-411	VOLTAGE REGULATOR SR7 AVR	1
14	9362-000	RHMS 10-24 X 1	2
15	99671-000	#10-24 HEX NUT	2
16	15224-100	AVR BOX WL22000	1
17	48602-003	TERMINAL FEMALE 16-14 AWG .250 TAB	6
18	48602-004	TERMINAL MALE 16-14 AWG .250 TAB	6
19	352125-1	1/4-20 RIVET NUT 22 GA-10GA	2

Right Side Panel



ITEM NO.	PART NUMBER	DESCRIPTION	QTY.
1	300217-40	RIGHT SIDE PANEL	1
2	97993-013	WINCO DECAL	1
3	352125-1	1/4-20 RIVET NUT 22 GA-10GA	2

Receptacle Panel Assembly



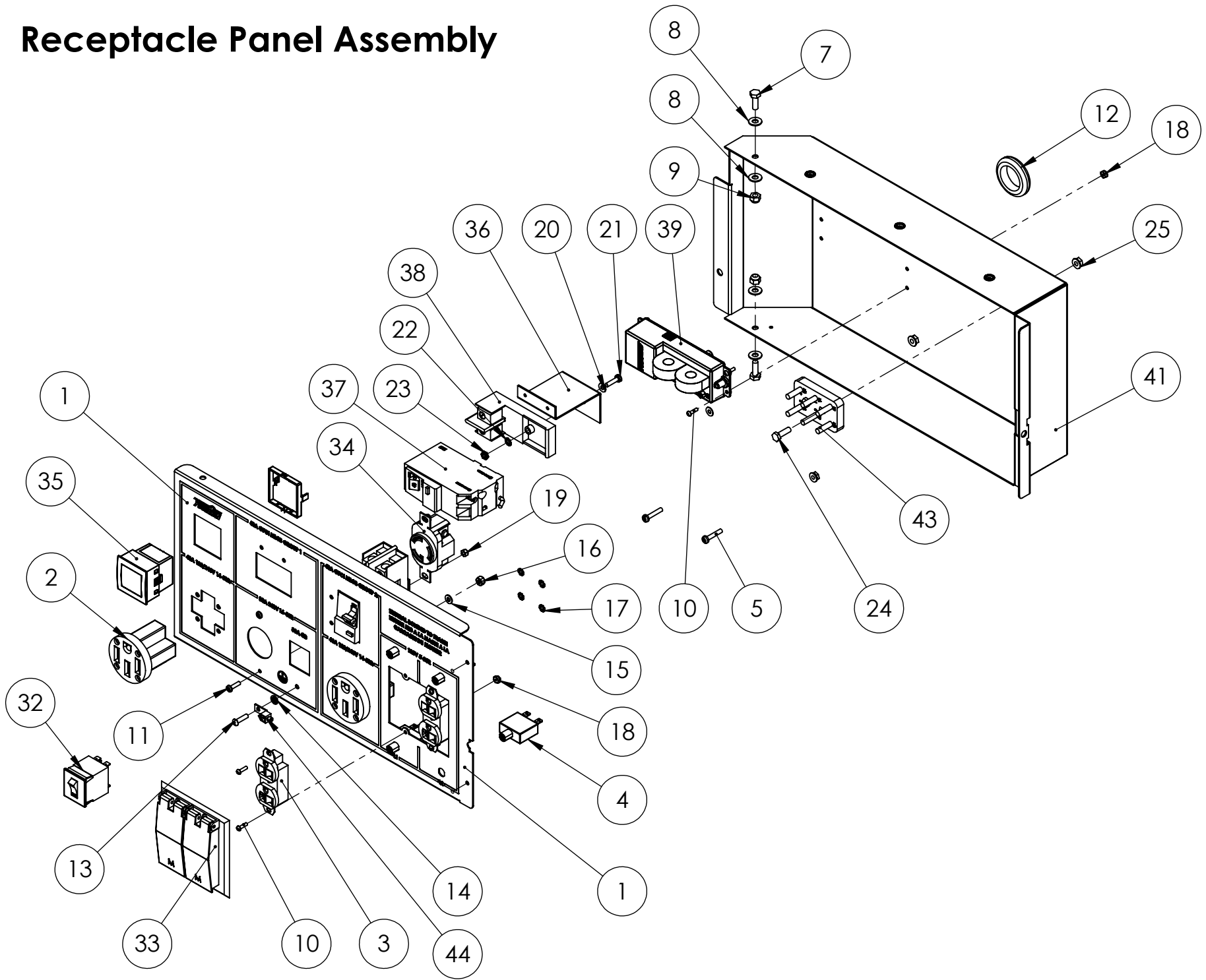
Receptacle Panel Assembly Countinued

ITEM NO.	PART NUMBER	DESCRIPTION	QTY.
1	15458-094	RECEPTACLE PANEL	1
2	15147-003	RECEPTACLE NEMA 5-20R GFCI DUPLEX	2
3	91286-001	CIRCUIT BREAKER, 20A, 1 PL	2
4	466-000	.25-20X.75 HHB	2
5	512-000	.25 WASHER	4
6	47517-000	.25-20 NYLOCK	2
7	7792-001	BZ RHMS 6-32X.5	4
8	51802-000	NUT HEX #6-32 NYLOCK	4
9	23917-005	GROMMET 1-5/16" ID	1
10	95985-000	#8-32 NYLOK HEX NUT	20
11	6917-001	RHMS 6-32 X .375 BLACK ZINC	4
12	24198-001	BHMS #8-32 x .625 BLACK	18
13	598-000	#10 WASHER	19
14	511-000	#8 FLATWASHER	4
15	75139-020	HHCS M6-1X20MM ZINC	2
16	64841-001	M6-1.0 FLANGE NUT ZINC	2
17	21975-000	#10 INT. TOOTH LOCKWASHER	1
18	420-001	BZ RHMS 10-24X3/4 PHILLIPS	1
19	5315-000	NUT HEX 10-24 NYLON	1
20	7792-000	RHMS 6-32 X .625	4
21	22989-000	#6 LOCKWASHER	4
22	394-000	NUT HEX #6-32	4
23	21977-000	RHMS 8-32 X 2.25	2
24	95568-000	THREAD STUD 10-24 X .625	3
25	99671-000	#10-24 HEX NUT	3
26	5113-000	NUT HEX # 8	4
27	4158-000	TERMINAL RING 16-14 AWG #10	4
28	48602-003	TERMINAL FEMALE 16-14 AWG .250 TAB	4
29	4156-000	TERMINAL RING 12-10 #10 STUD	5
30	22370-007	TERMINAL SPADE 16/14AWG #10STUD	5
31	21114-000	TERMINAL, RING, 8AWG, #10 STUD	5
32	22370-013	TERMINAL, SPADE, 12-10AWG, #10 STUD	4
33	EE23309	BUSHING, #2 AWG TO #8 AWG	4
34	EE23101	CONTACT, #2 AWG, 120A, 600V	4
35	4160-000	TERMINAL, RING, 16-14AWG, 1/4 STUD	2
36	48602-023	TERMINAL FEMALE 22-18 AWG .187 TAB	1
37	48602-024	TERMINAL FEMALE 16-14AWG .187	1
38	21437-000	TERMINAL, RING, 8AWG, 1/4" STUD	5

Receptacle Panel Assembly Countinued

ITEM NO.	PART NUMBER	DESCRIPTION	QTY.
39	20531-000	TERMINAL RING 12-10AWG 5/16 STUD	1
40	58166-009	DISPLAY MODULE	1
41	58166-010	TERMINAL BLOCK MODULE	1
42	58165-18	DISPLAY MODULE CABLE	1
43	15221-067	RECEPTACLE BOX	1
44	58166-009	DISPLAY MODULE MOUNTING CLIP	1
45	16346-131	TERMINAL BLOCK	1
46	91889-000	RECEPT 125/250V 50A	1
47	97360-000	RECEPTACLE, NEMA L14-30R 120_240V	1
48	92072-010	50 AMP RECEPTACLE BRACKET	1
49	16488-018	CIR.BRK.30A-2PL-240V-GFCI-CARLING	1
50	57030-021	CIR. BRK. 100A-2PL-240V	1
51	15620-007	GFCI COVER 5-20R 2 GANG MULBERRY	1
52	300117-6	CONNECTOR SUPPORT	2
53	EE2326	HOUSING, GRAY, 2PL, 120A, 600V	2
54	57030-000	CIR. BRK. 50A-2PL-240V	1
55	71444-004	SWITCH N.C.	1
56	G72138	COVER	1
57	Z25272	DECAL, LOAD CONNECTIONS - 1PH 4 CAVITY	1
58	48042-001	TERMINAL, GROUND LUG, 6-14AWG	1

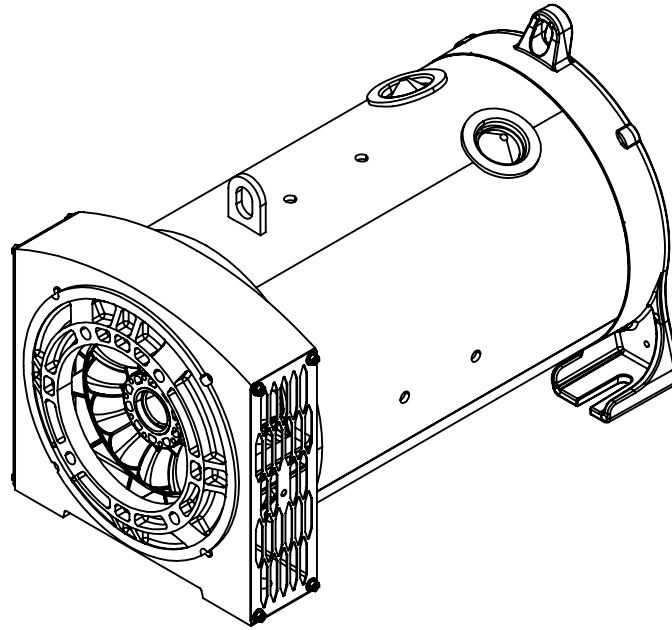
Receptacle Panel Assembly



Receptacle Panel Assembly Countinued

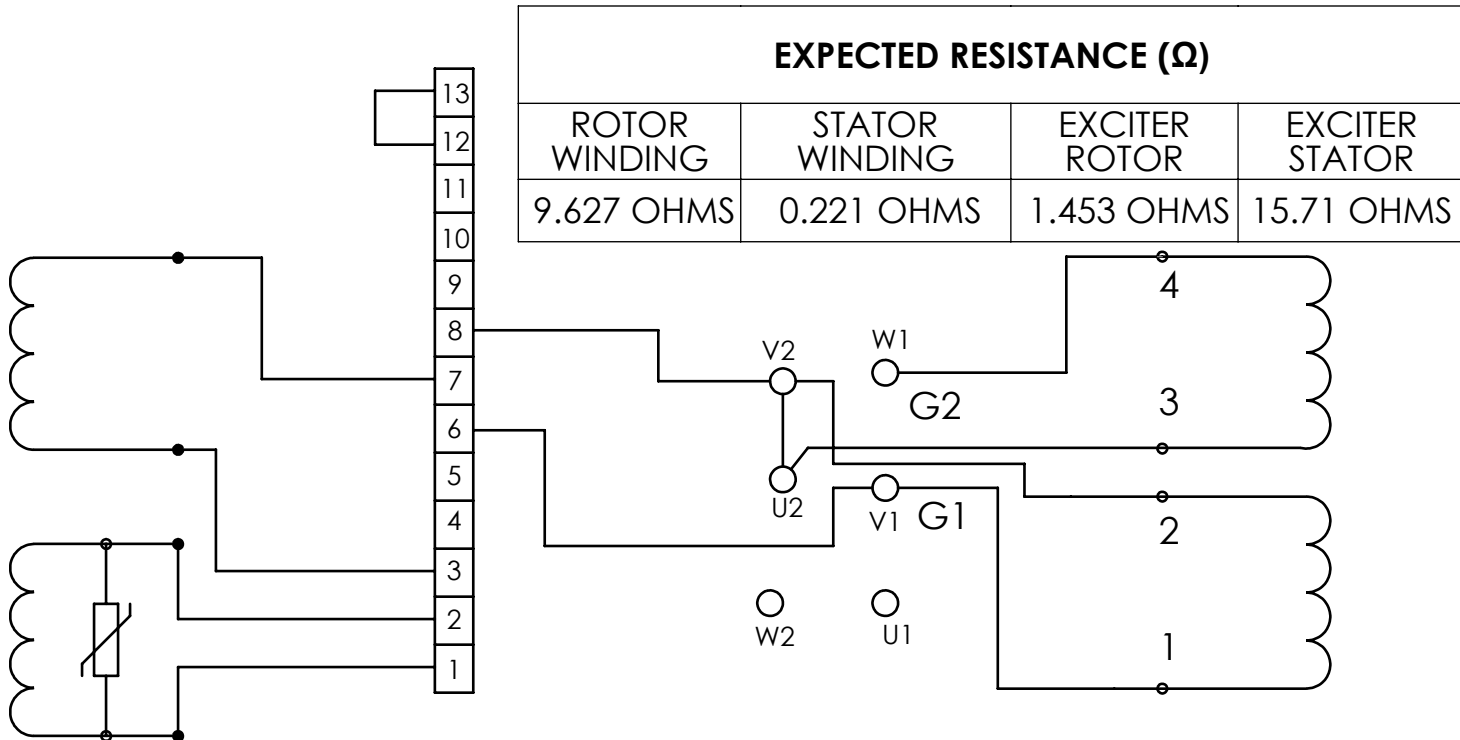
ITEM NO.	PART NUMBER	DESCRIPTION	QTY.
1	15458-070	RECEPTACLE PANEL WITH SILK SCREEN	1
2	57722-000	RECEPTACLE, 14-50R 120/240V	2
3	50766-000	RECEPTACLE NEMA 5-20R DUPLEX	2
4	91286-001	CIRCUIT BREAKER, 20A, 1 PL	4
5	9362-000	RHMS 10-24 X 1	2
6	99671-000	#10-24 HEX NUT	2
7	466-000	.25-20X.75 HHB	2
8	512-000	.25 WASHER	4
9	47517-000	.25-20 NYLOCK	2
10	7792-001	BZ RHMS 6-32X.5	8
11	24198-001	BHMS #8-32 x .625 BLACK	2
12	23917-005	GROMMET 1-5/16" ID	1
13	420-001	BZ RHMS 10-24X3/4 PHILLIPS	1
14	21975-000	#10 INT. TOOTH LOCKWASHER	1
15	598-000	#10 WASHER	1
16	5315-000	NUT HEX 10-24 NYLON	1
17	21976-000	#8 LOCKWASHER EXTERNAL TOOTH	8
18	51802-000	NUT HEX #6-32 NYLOCK	8
19	95985-000	#8-32 NYLOK HEX NUT	2
20	511-000	#8 FLATWASHER	4
21	420-000	RHMS 10-24 X .75	2
22	22423-000	LOCKWASHER #10	2
23	456-000	10-24 HEX NUT	2
24	75139-020	HHCS M6-1X20MM ZINC	2
25	64841-001	M6-1.0 FLANGE NUT ZINC	2
26	4158-000	TERMINAL RING 16-14 AWG #10	4
27	48602-003	TERMINAL FEMALE 16-14 AWG .250 TAB	10
28	48602-010	TERM FEMALE 10-12AWG .250X.032 TAB	2
29	4156-000	TERMINAL RING 12-10 #10 STUD	6
30	22370-007	TERMINAL SPADE 16/14AWG #10STUD	11
31	22370-013	TERMINAL, SPADE, 12-10AWG, #10 STUD	1
32	57030-015	30A 2PL BREAKER	1
33	15620-009	STD DUPLEX COVER 5-20R	1
34	57324-000	NEMA L6-30R	1
35	58166-009	DISPLAY MODULE	1
36	16319-000	C.B. MOUNTING BRACKET	2
37	16488-004	CIR.BRK.40A-2PL-240V-GFCI	2
38	16489-001	2 POLE CIRCUIT BRK. TERM. BLOCK	2
39	58166-010	TERMINAL BLOCK MODULE	1
40	58165-18	DISPLAY MODULE CABLE	1
41	15221-047	WL22000 RECEPTACLE BOX	1
42	58166-009	DISPLAY MODULE MOUNTING CLIP	1
43	16346-131	TERMINAL BLOCK	1
44	48042-001	TERMINAL, GROUND LUG, 6-14AWG	1
45	20531-000	TERMINAL RING 12-10AWG 5/16 STUD	3
46	91320-001	TERM. FEMALE, 12-10 AWG	2

Generator Information

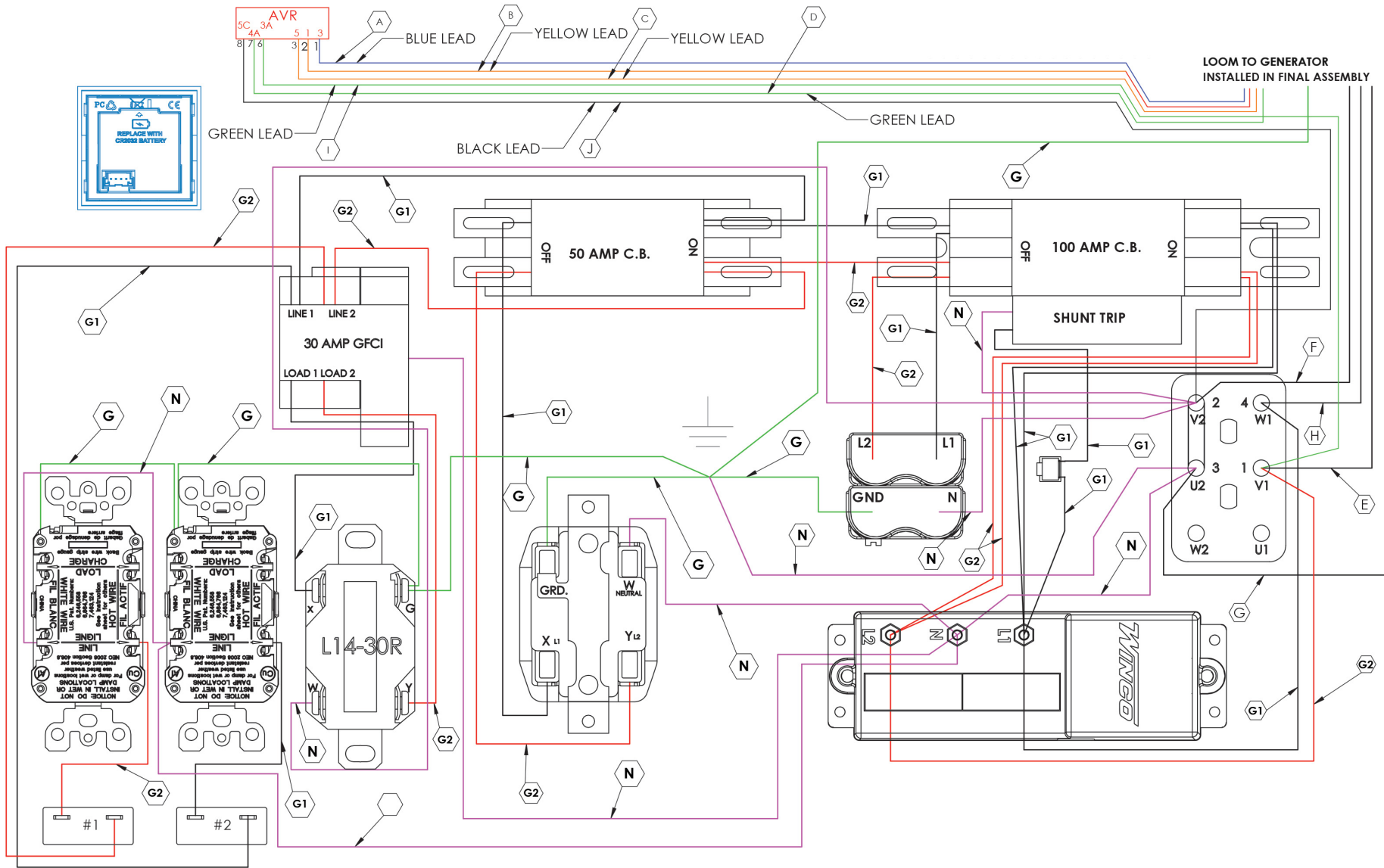


PART NUMBER	DESCRIPTION	QTY
16346-031	COMPLETE GEN END ASSEMBLY	1
54665-005	REAR BEARING 6305 2RS	1
16346-231	CABLE GROMMET	2
16428-412	VOLTAGE REGULATOR	1

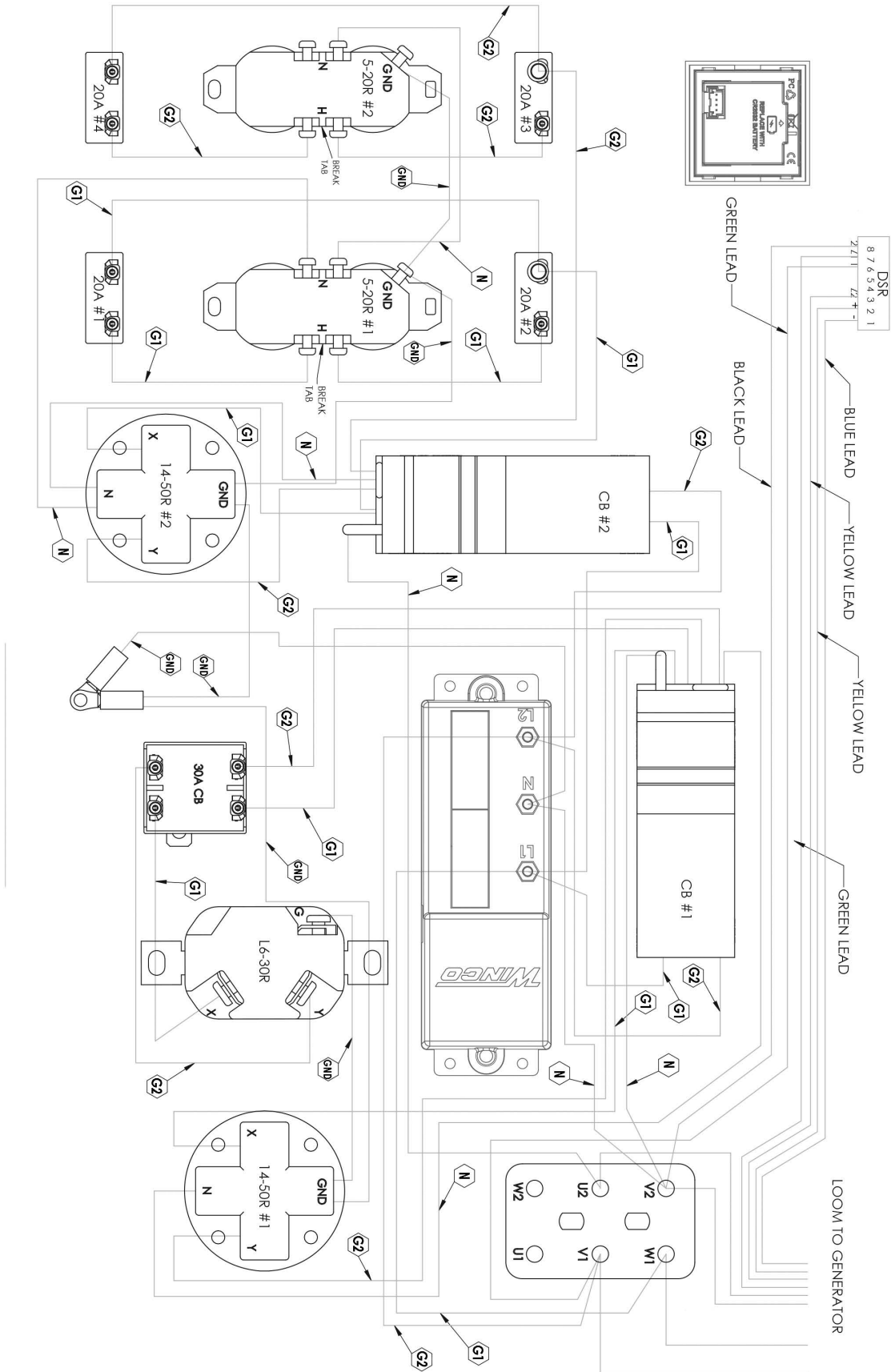
Individual parts not listed here may be obtained from www.meccalte.com. WINCO Inc sells the complete generator end or the individual parts listed above.



Receptacle Panel Wiring Diagram



Receptacle Panel Wiring Diagram



Engine Wiring

Typical Regulated Wiring Diagram

