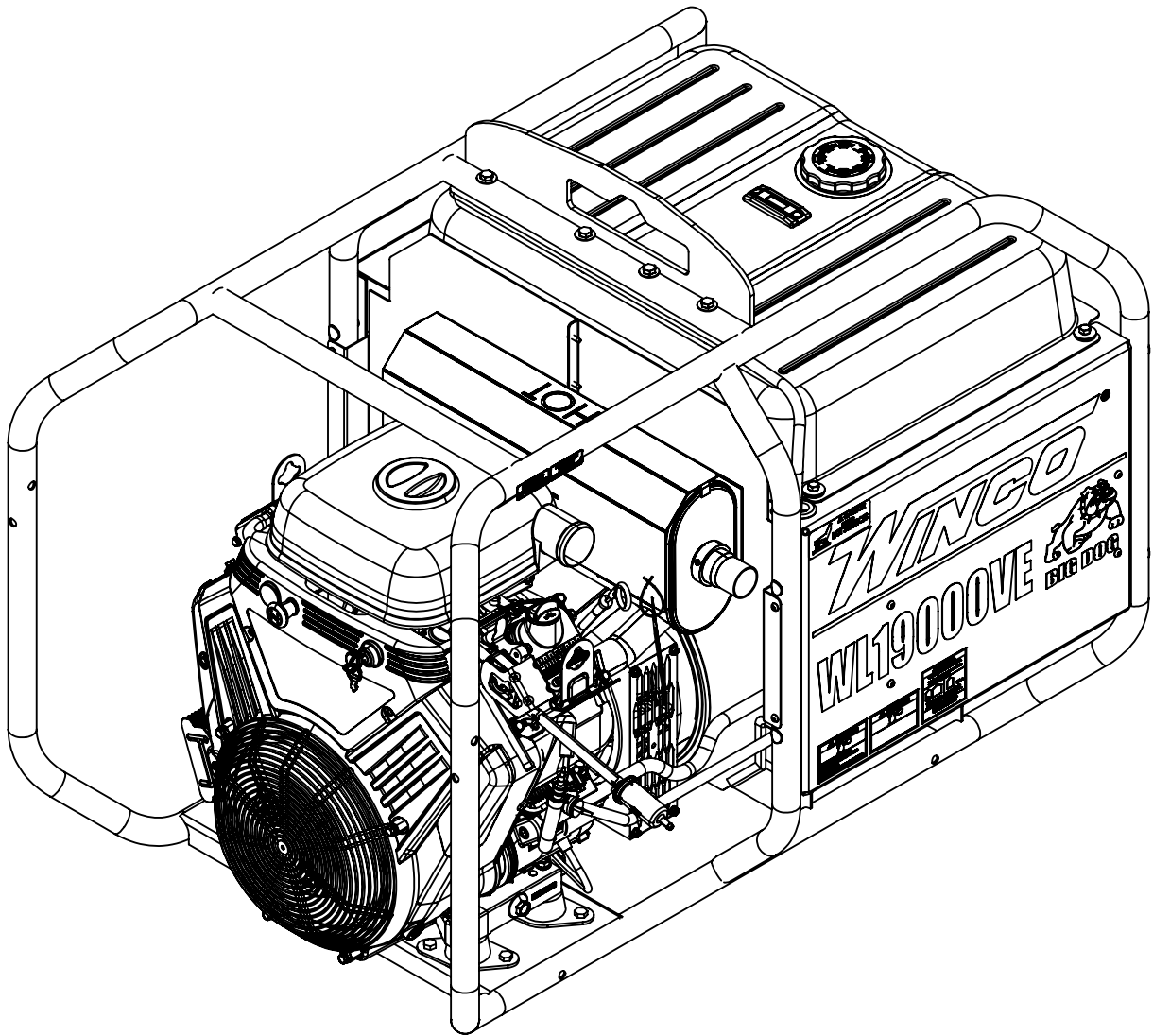


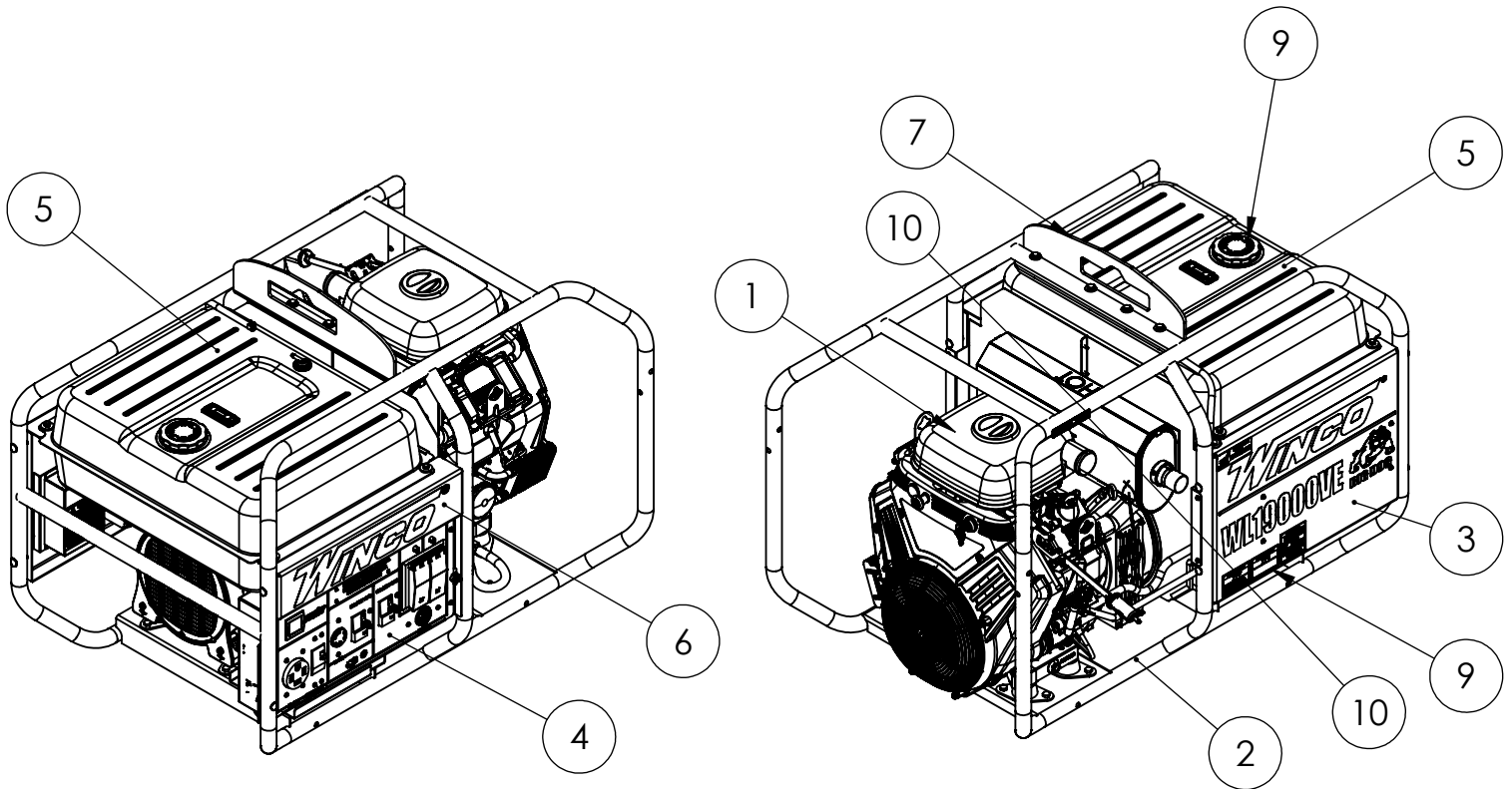
WINCO[®]

WL19000VE-03/A Parts List



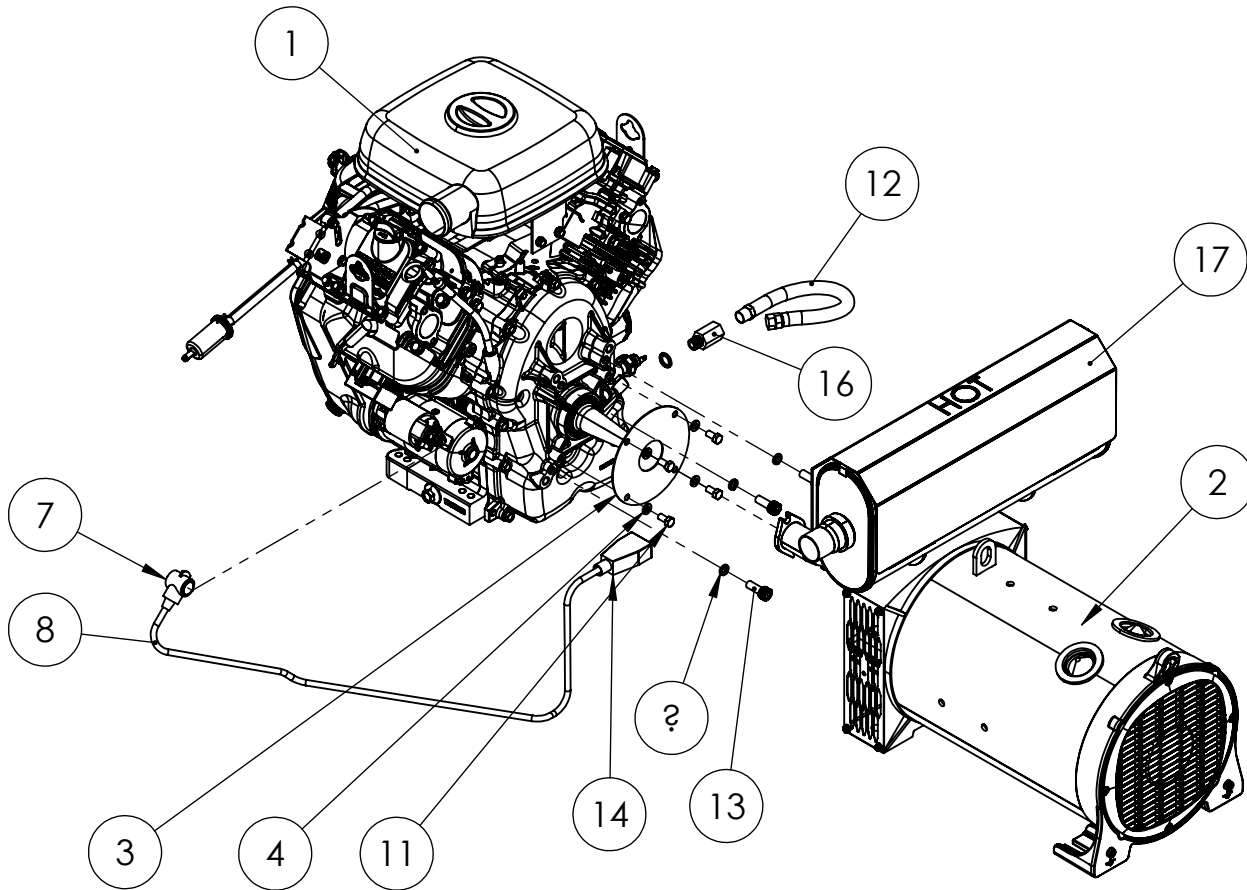
WINCO Service
Phone: 507-357-6831
Email: service@wincogen.com
www.wincogen.com

General Assembly



ITEM NO.	PART NUMBER	DESCRIPTION	QTY.
1	18000-078	GENERATOR ASSEMBLY WL19000	1
2	18000-213	HARDWARE KIT WL22000	1
3	300216-55	LEFT SIDE PANEL ASSEMBLY	1
4	15457-110	RECEPTACLE PANEL ASSEMBLY	1
5	15163-107	FUEL SYSTEM ASSEMBLY	1
6	300217-40	RIGHT SIDE PANEL	1
7	300144-26	LIFTING EYE ASSEMBLY WL22000	1
8	62999-005	HOSE CLAMP .41 OD GREEN	1
9	15715-108	KIT DECALS	1
10	16200-511	MAINTENANCE KIT DECAL	1
11	94442-002	NUT HEX M6-1.0 CLASS 8.8 ZINC	4
12	300515-30	5W-30 OIL PER GALLON	0.625
13	OPM-153	OPERATORS MANUAL WL18	1

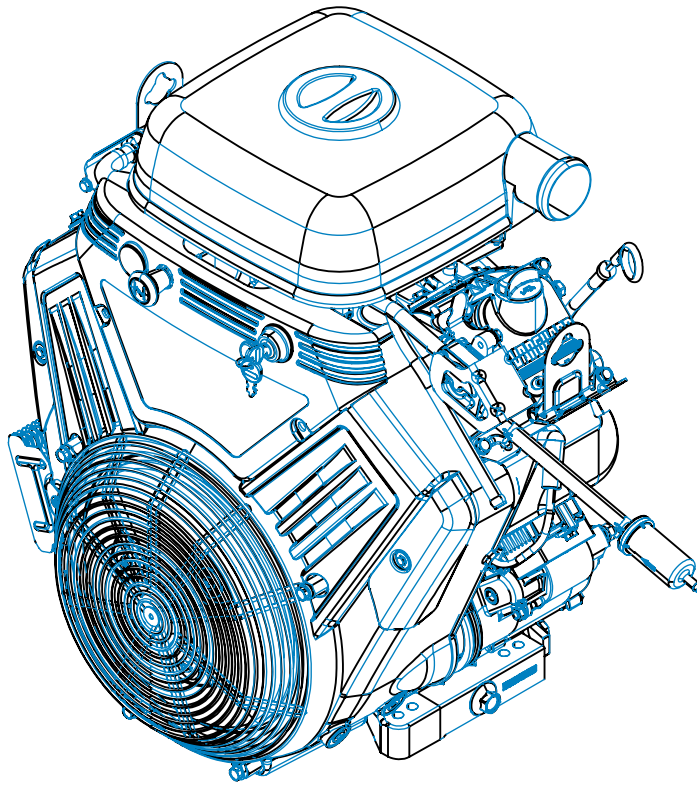
Engine And Generator Assembly



NOTE: TERMINALS NOT SHOWN

ITEM NO.	PART NUMBER	DESCRIPTION	QTY.
1	16419-003	ENGINE, BRIGGS, 993CC, 33HP, GASOLINE	1
2	16346-042	GEN END, AMC3C L2_2	1
3	15144-014	ENGINE BAFFLE	1
4	480-000	5/16 SPLIT LOCKWASHER	4
5	481-000	LOCK .375 SPLIT	4
6	598-000	#10 WASHER	1
7	16145-000	TERMINAL INSULATOR	1
8	22097-010	BATTERY CABLE POSITIVE 43IN UL	1
9	48602-003	TERMINAL, FEMALE, 16-14AWG, .250 TAB, INSULATED	1
10	48602-011	TERM MALE 12-10AWG .250X.032	1
11	57199-000	HHCS 5/16-24X5/8	4
12	93079-003	OIL DRAIN HOSE 14 INCH .375NPT	1
13	93704-000	SOC.HCS 3/8-16X1	4
14	95901-002	(BATTERY TERMINAL BOOT - RED 2-1AWG)	1
15	96187-001	OIL DRAIN GASKET M14 ID	1
16	300349-1	OIL DRAIN ADAPTER	1
17	350590-20	MUFFLER, CRITICAL GRADE	1

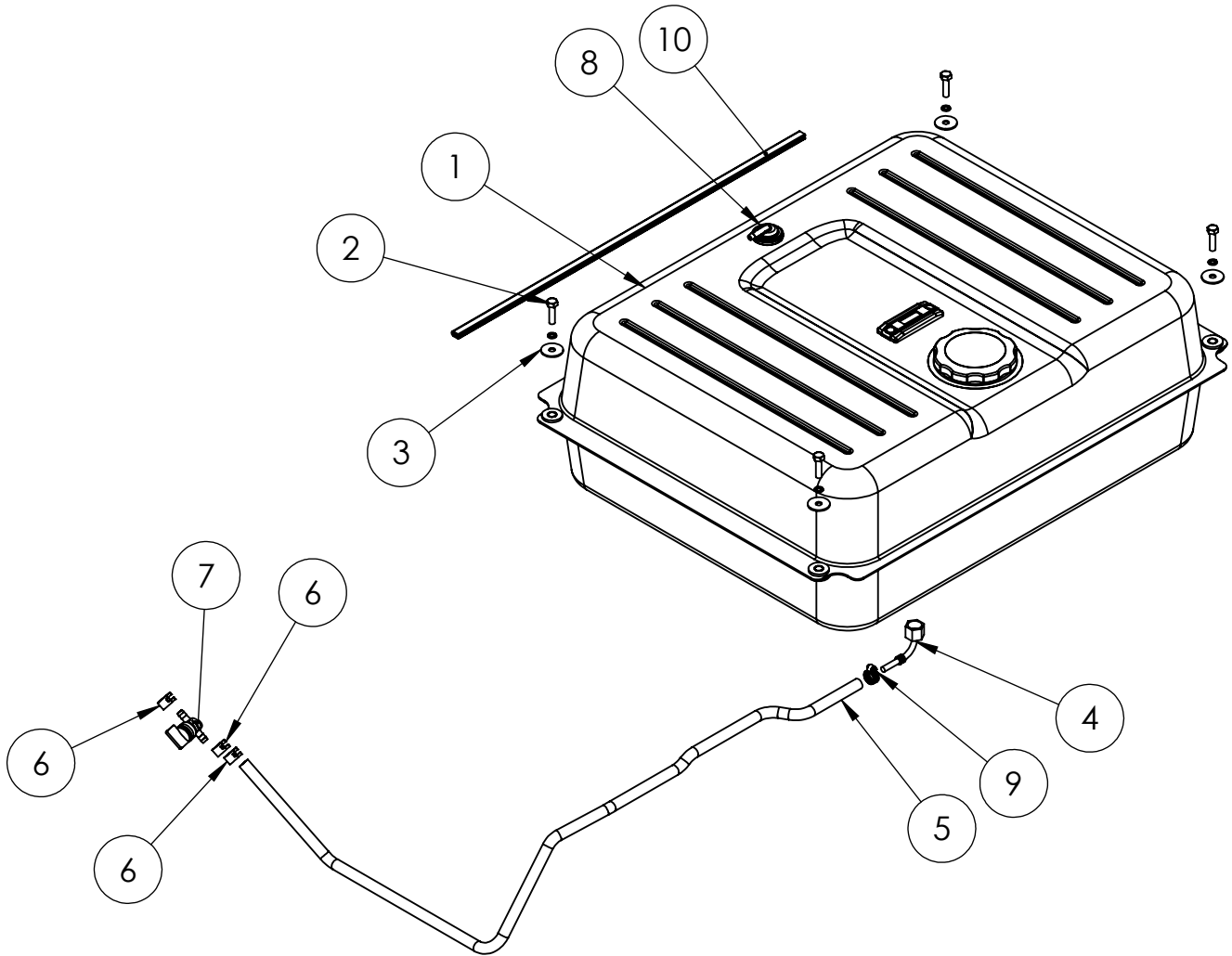
Engine



ITEM NO.	PART NUMBER	DESCRIPTION	QTY
1	2-103	AIR FILTER	1
2	2-104	PRE-FILTER	1
3	2-105	OIL FILTER	1
4	2-106	FUEL FILTER	1
5	2-109	SPARK PLUG	1
6	2-114	FUEL PUMP	1
7	2-102	EXHAUST MANIFOLD GASKET	2
8	24018-100	KEY SET	1

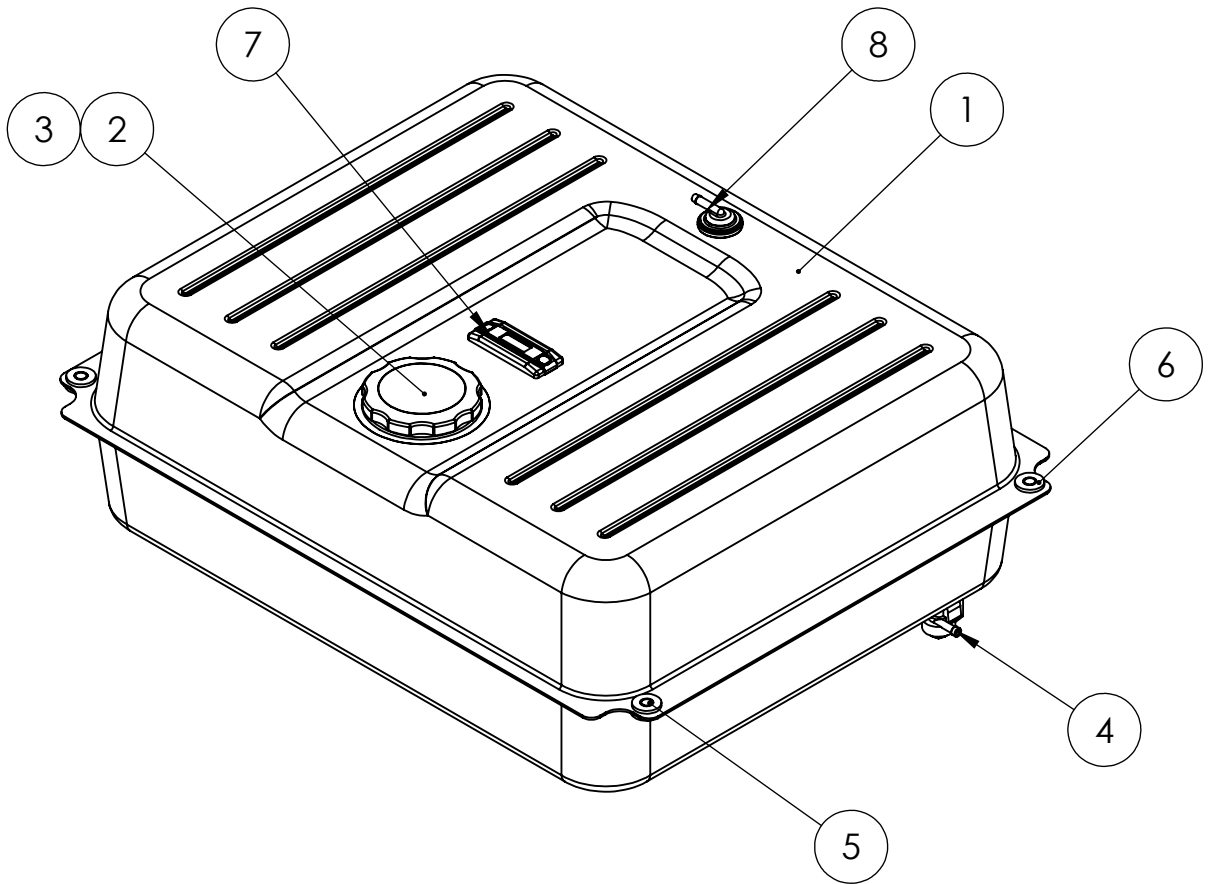
Contact WINCO service or your Briggs & Stratton dealer for full engine part support.

Fuel System



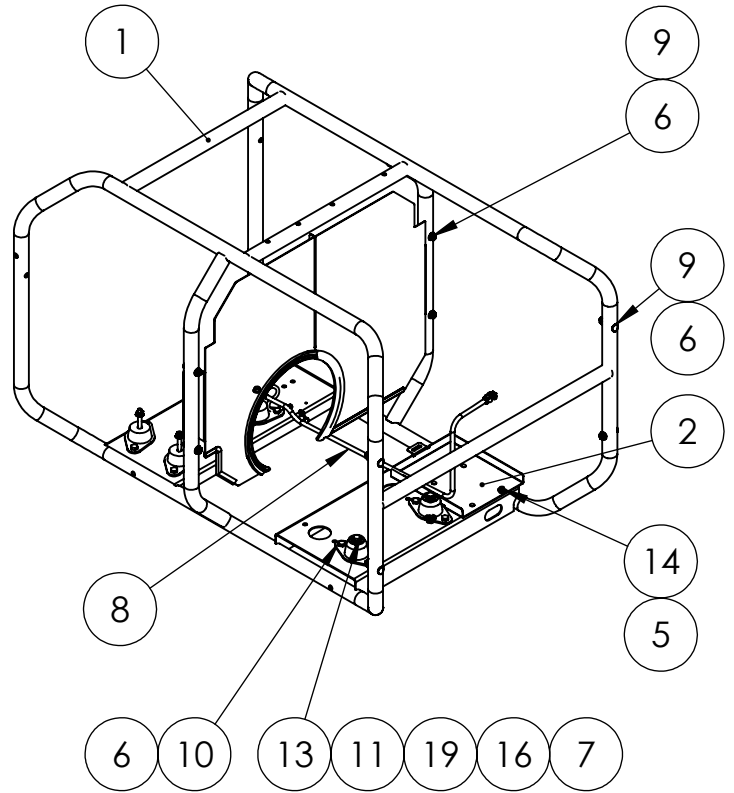
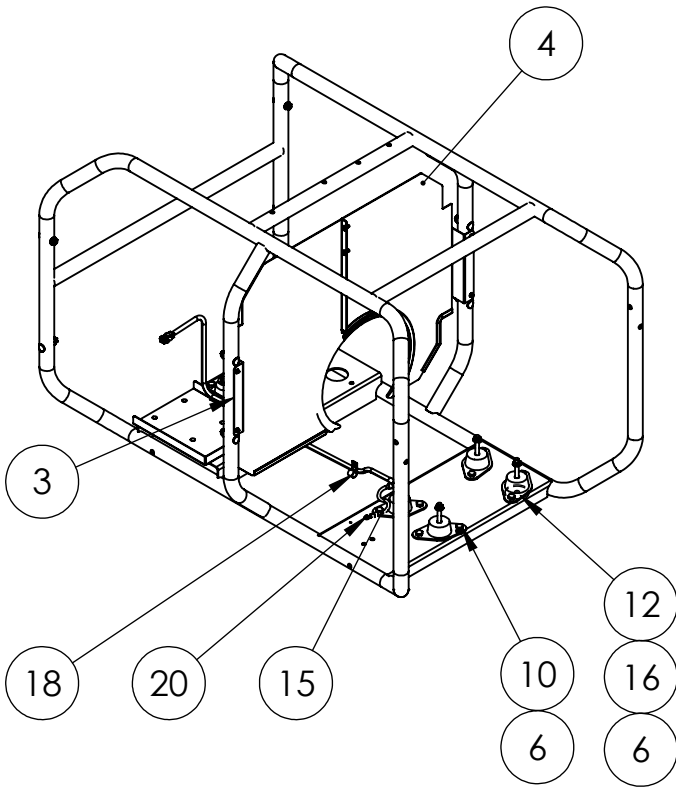
ITEM NO.	PART NUMBER	DESCRIPTION	QTY.
1	64024-014	FUEL TANK 15 GAL STEEL	1
2	439-000	.25-20 X 1 HHB	4
3	267-002	FLAT WSH 9/32X1X.063	4
4	64024-101	90 DEGREE FUEL TANK ELBOW	1
5	40078-030	1/4IN ID HOSE 35.5IN	1
6	62999-001	HOSE CLAMP .5 OD RED	3
7	98771-005	FUEL VALVE 1/4" HOSE BARB	1
8	80903-002	SLOSH VALVE 1/4" HOSE	1
9	81018-009	HOSE CLAMP .625-.250	1
10	58684-031	EDGE TRIM 22"	1
11	479-000	LOCK .25 SPLIT	4

Fuel Tank



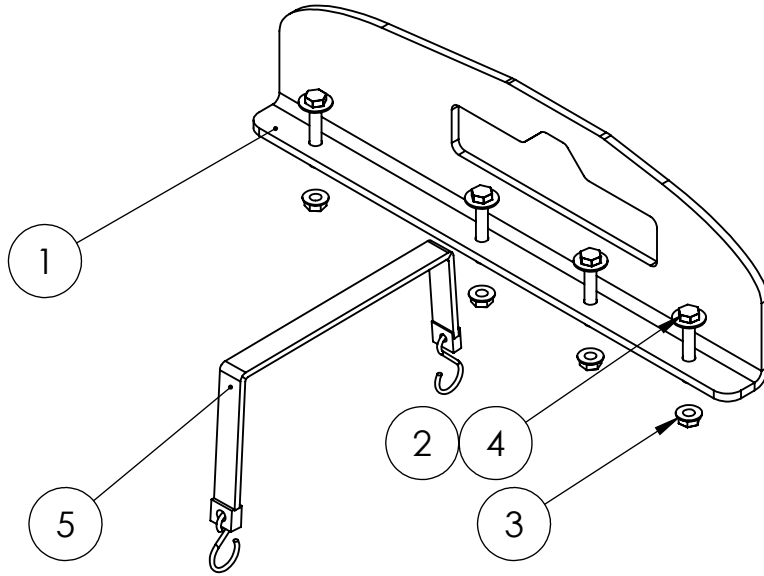
ITEM NO.	PART NUMBER	DESCRIPTION	QTY.
1	64024-014	FUEL TANK 15 GAL STEEL GASOLINE	1
2	64024-401	FUEL CAP, SEALED, AUDIBLE, TETHERED	1
3	64024-403	FUEL FILL FILTER	1
4	64024-404	168B FUEL CONTROL VALVE	1
5	64024-405	ANTI-CRUSH INSERT	4
6	64024-406	RUBBER BUSHING	4
7	64024-407	FUEL LEVEL GAUGE, 180MM	1
ALL ITEMS LISTED IN THE TABLE ABOVE ARE INCLUDED WITH A 64024-14 FUEL TANK PURCHASE			
8	80903-002	SLOSH VALVE 1/4" HOSE	1
9	62273-262	TOUCH UP PAINT, BLACK 3048	

Cradle & Hardware



ITEM NO.	PART NUMBER	DESCRIPTION	QTY.
1	63073-064	WL22000 WELDED CRADLE	1
2	15676-027	BATTERY TRAY WL22000	1
3	15687-080	HEAT SHIELD RIGHT WL22000	1
4	15687-081	HEAT SHIELD LEFT WL22000	1
5	16248-000	.25-20 FLANGE NUT	4
6	16249-000	NUT FLANGE .3125-18 LOCK SERRATED GR5 ZINC	24
7	16250-000	NUT FLANGE .375-16 LOCK GR5 ZINC	2
8	22097-012	BATTERY CABLE NEGATIVE 32IN UL	1
9	23590-002	CURVED HEAD BOLT 5/16-18 X 1 3/4	8
10	467-000	HHCS 5/16-18X.75	12
11	526-000	5/16 FLAT WASHER	2
12	91107-000	5/16-18 X 3.5	4
13	91658-008	HHCS 3/8-16X2-3/4 GR5	2
14	94980-001	THREAD STUD .25-20X.625	4
15	9769-145	LEAD WIRE ASSEMBLY	1
16	98806-000	WASHER .406 X 2	6
17	98807-000	SHOCKMOUNT 40 DURO	6
18	97391-007	TUBE CLAMP/CUSH.WIRE 1/2	1
19	21867-000	FLAT WASHER	2
20	21698-001	TORX PAN HEAD SCREW #10	7

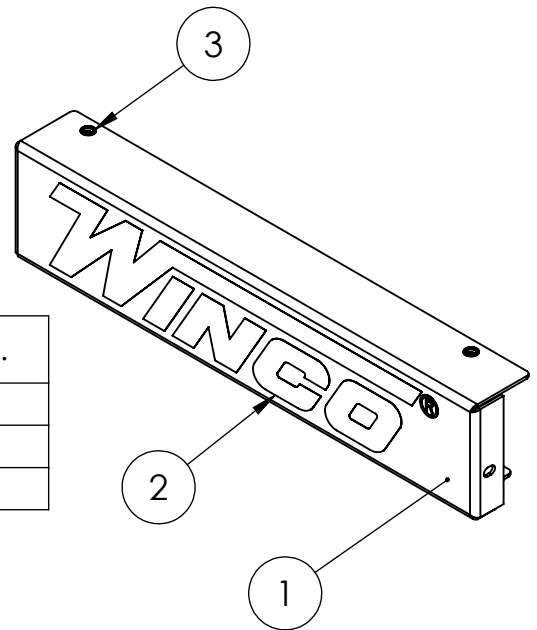
Lifting Eye Assembly



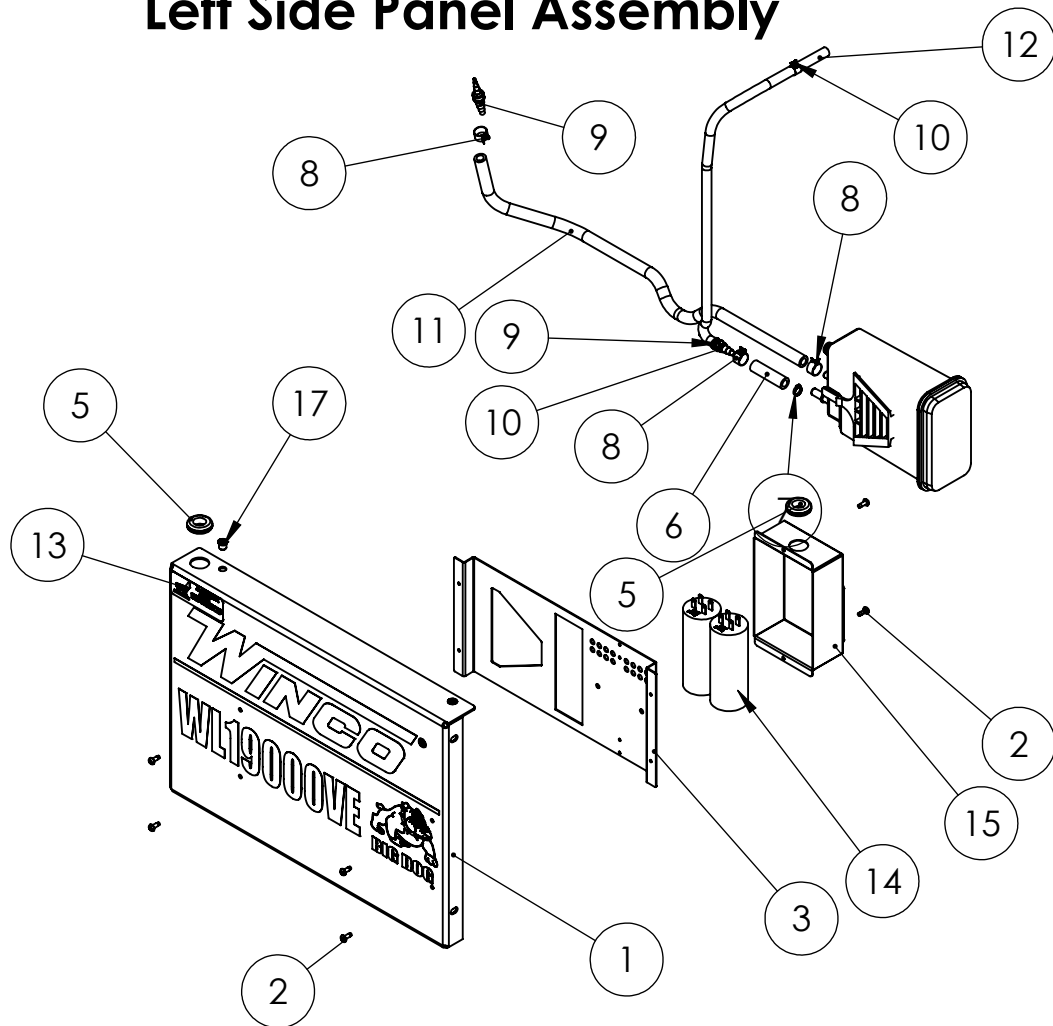
ITEM NO.	PART NUMBER	DESCRIPTION	QTY.
1	300148-29	LIFTING EYE WL22000	1
2	526-000	FLAT WASHER 5/16_3/8	4
3	16249-000	.3125-18 FLANGE	4
4	91672-009	HHCS 5/16-18 X 2	4
5	16329-001	RUBBER STRAP, BATTERY HOLD DOWN	1

Right Side Panel

ITEM NO.	PART NUMBER	DESCRIPTION	QTY.
1	300217-40	RIGHT SIDE PANEL	1
2	97993-013	WINCO DECAL	1
3	352125-1	1/4-20 RIVET NUT 22 GA-10GA	2

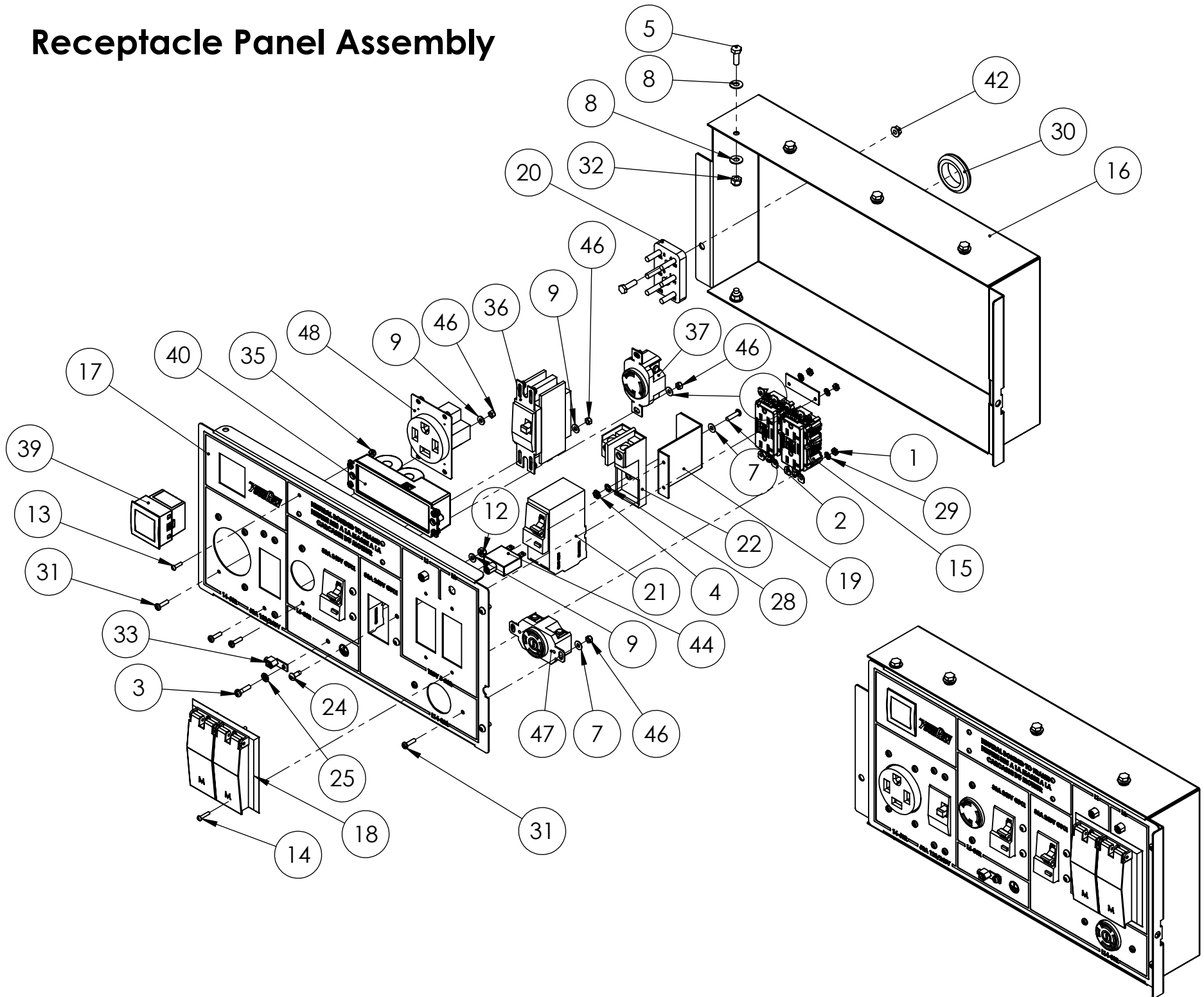


Left Side Panel Assembly



ITEM NO.	PART NUMBER	DESCRIPTION	QTY.
1	300216-54	LEFT SIDE PANEL	1
2	21698-001	TORX PAN HEAD SCREW #10	6
3	81900-010	CARBON CANISTER MOUNTING BRACKET	1
4	80900-000	15 GAL. CARBON CANISTER	1
5	23917-000	GROMMET .6875ID X 1	2
6	55505-023	HOSE .375 ID RUBBER 2.25IN	1
7	81018-008	HOSE CLAMP .875-.25	1
8	62999-004	HOSE CLAMP .69 OD	3
9	98590-003	HOSE REDUCER 1/8-5/16 X 1/4-7/16	2
10	62999-001	HOSE CLAMP .5 OD RED	2
11	55505-003	3/8" ID HOSE 26"	1
12	40078-018	1/4" ID HOSE 26IN	1
13	63941-001	DECAL - HOT SURFACES	1
14	16346-412	CAPACITOR, 45MFD, 400VAC, DRY	2
15	15224-101	CAPACITOR BOX	1
16	63941-013	DECAL CAUTION CAPACITORS	1
17	352125-1	1/4-20 RIVET NUT 22 GA-10GA	2

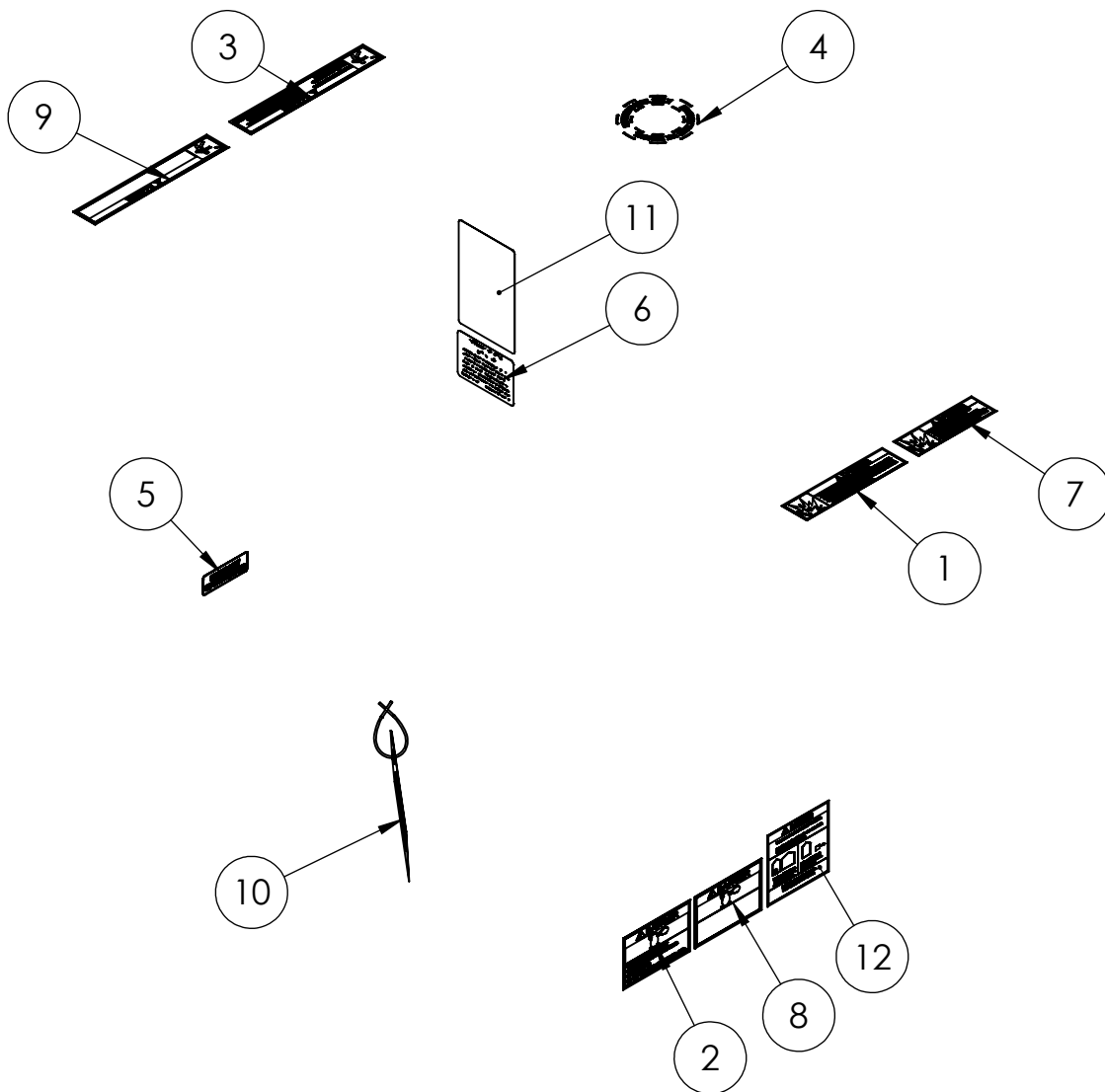
Receptacle Panel Assembly



Receptacle Panel Assembly Countinued

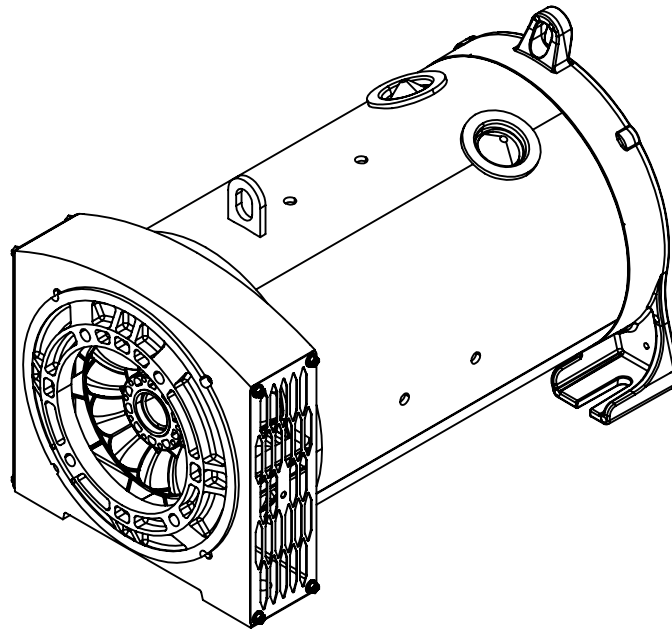
ITEM NO.	PART NUMBER	DESCRIPTION	QTY.
1	394-000	NUT HEX #6-32	4
2	420-001	BZ RHMS 10-24X3/4 PHILLIPS	2
3	420-000	RHMS 10-24 X .75	1
4	456-000	10-24 HEX NUT	2
5	466-000	.25-20X.75 HHB	5
6	479-000	LOCK WASHER, .25" SPLIT	3
7	511-000	#8 FLATWASHER	6
8	512-000	.25 WASHER	7
9	598-000	#10 WASHER	9
10	4156-000	TERMINAL RING 12-10 #10 STUD	9
11	4158-000	TERMINAL RING 16-14 AWG #10	4
12	5315-000	NUT HEX 10-24 NYLON	1
13	7792-001	BZ RHMS 6-32X.5	4
14	7792-000	RHMS 6-32 X .625	4
15	15147-003	RECEPTACLE NEMA 5-20R GFCI DUPLEX	2
16	15221-068	RECEPTACLE BOX	1
17	15458-110	RECEPTACLE PANEL WITH SILK SCREEN	1
18	15620-007	GFCI COVER 5-20R 2 GANG MULBERRY	1
19	16319-000	C.B. MOUNTING BRACKET	2
20	16346-131	TERMINAL BLOCK	1
21	16488-000	CIR.BRK.30A-2PL-240V-GFCI	2
22	16489-001	2 POLE CIRCUIT BRK. TERM. BLOCK	2
23	20531-000	TERMINAL RING 12-10AWG 5/16 STUD	6
24	21698-001	TORX PAN HEAD SCREW #10	6
25	21975-000	#10 INT. TOOTH LOCKWASHER	1
26	22370-007	TERMINAL SPADE 16/14AWG #10STUD	5
27	22370-013	TERMINAL, SPADE, 12-10AWG, #10 STUD	2
28	22423-000	LOCKWASHER #10	2
29	22989-000	#6 LOCKWASHER	4
30	23917-005	GROMMET 1-5/16" ID	1
31	24198-001	BHMS #8-32 x .625 BLACK	12
32	47517-000	NUT HEX .25-20 NYLOCK GR2 ZINC	2
33	48042-001	TERMINAL, GROUND LUG, 6-14AWG	1
34	48602-003	TERMINAL, FEMALE, 16-14AWG, .250 TAB, INSULATED	4
35	51802-000	NUT HEX #6-32 NYLOCK	4
36	57030-005	CIR. BRK. 60A-2PL-240V	1
37	57324-000	NEMA L6-30R	1
38	58165-18	DISPLAY MODULE CABLE	1
39	58166-009	DISPLAY MODULE	1
40	58166-010	TERMINAL BLOCK MODULE	1
41	64045-041	MOUNTING STRAP, 2 HOLE, 1.800 IN	1
42	64841-001	NUT FLANGE M6-1.0 LOCK SERRATED CLASS 8.8 ZINC	2
43	75139-020	HHCS M6-1X20MM ZINC	2
44	91286-001	CIRCUIT BREAKER, 20A, 1 PL	2
45	95810-000	CABLE TIE HOLDER	2
46	95985-000	NUT HEX #8-32 NYLOK	12
47	97360-000	RECEPTACLE, NEMA L14-30R 120_240V	1
48	300136-1	NEMA 14-60R	1

Decal Kit



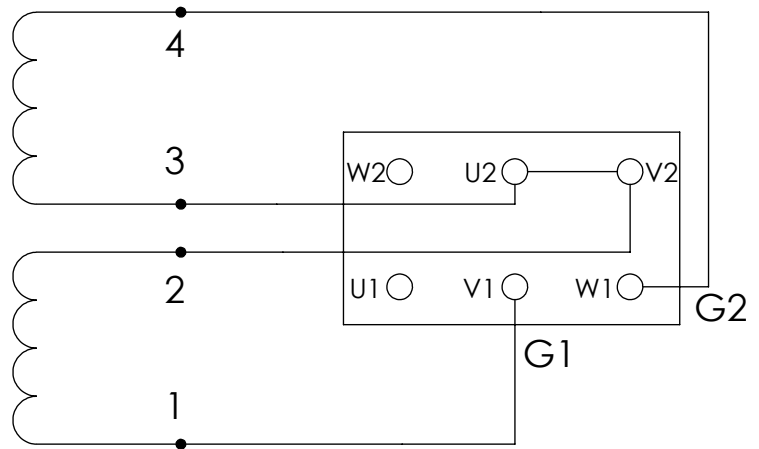
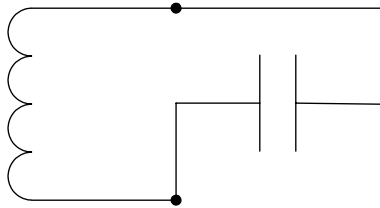
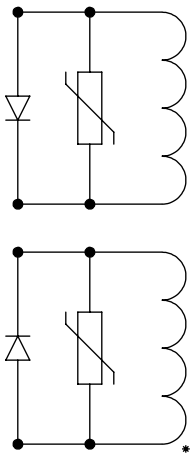
ITEM NO.	PART NUMBER	DESCRIPTION	QTY.
1	15209-001	GASOLINE DECAL	1
2	15209-002	DECAL - DANGER CARBON MONOXIDE	1
3	15209-003	UL-DECAL ELECTRICAL SHOCK CAN KILL	1
4	15209-013	DECAL - FUEL TYPE GASOLINE	1
5	15209-014	DECAL - CHECK OIL	1
6	15209-036	PROP 65 WARNING DECAL	1
7	15209-101	DECAL, GASOLINE DANGER, FRENCH	1
8	15209-102	DECAL - DANGER CARBON MONOXIDE	1
9	15209-103	UL-DECAL ELECTRICAL SHOCK CAN KILL	1
10	60710-018	OIL WARNING TAG	1
11	63966-004	NAMEPLATE, WINCO PORTABLE	1
12	64918-000	DECAL-DANGER (CO) USE OUTSIDE	1

Generator Information

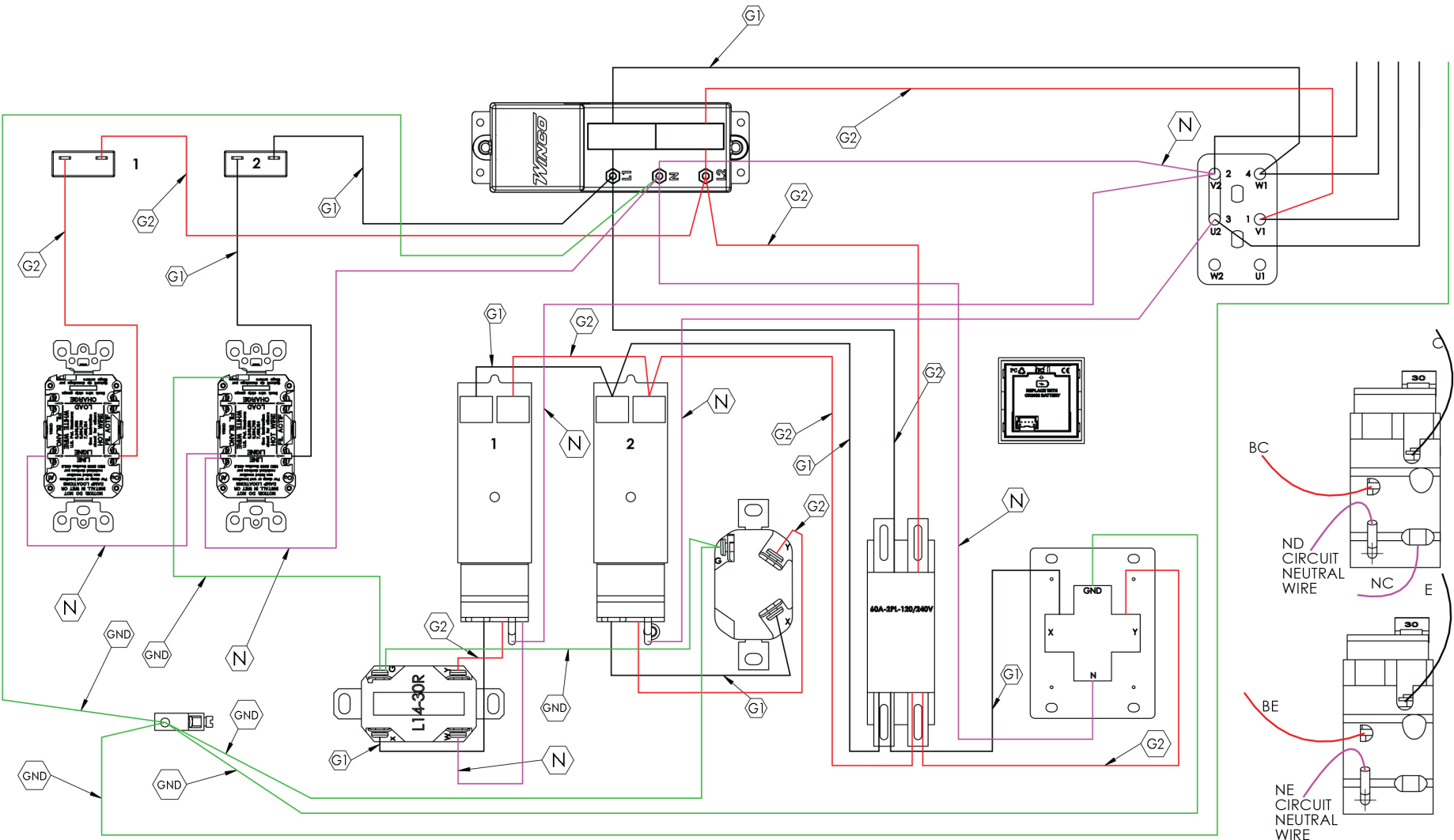


ITEM NO.	PART NUMBER	DESCRIPTION	QTY
1	54665-005	REAR BEARING 6305 2RS	1
2	16346-312	CAPACITOR	2
3	16346-231	CABLE GROMMET	2

Individual parts not listed here may be obtained from www.meccalte.com. WINCO Inc sells the complete generator end or the individual parts listed above.



Receptacle Panel Wiring Diagram



Engine Wiring Diagram

ECM 

