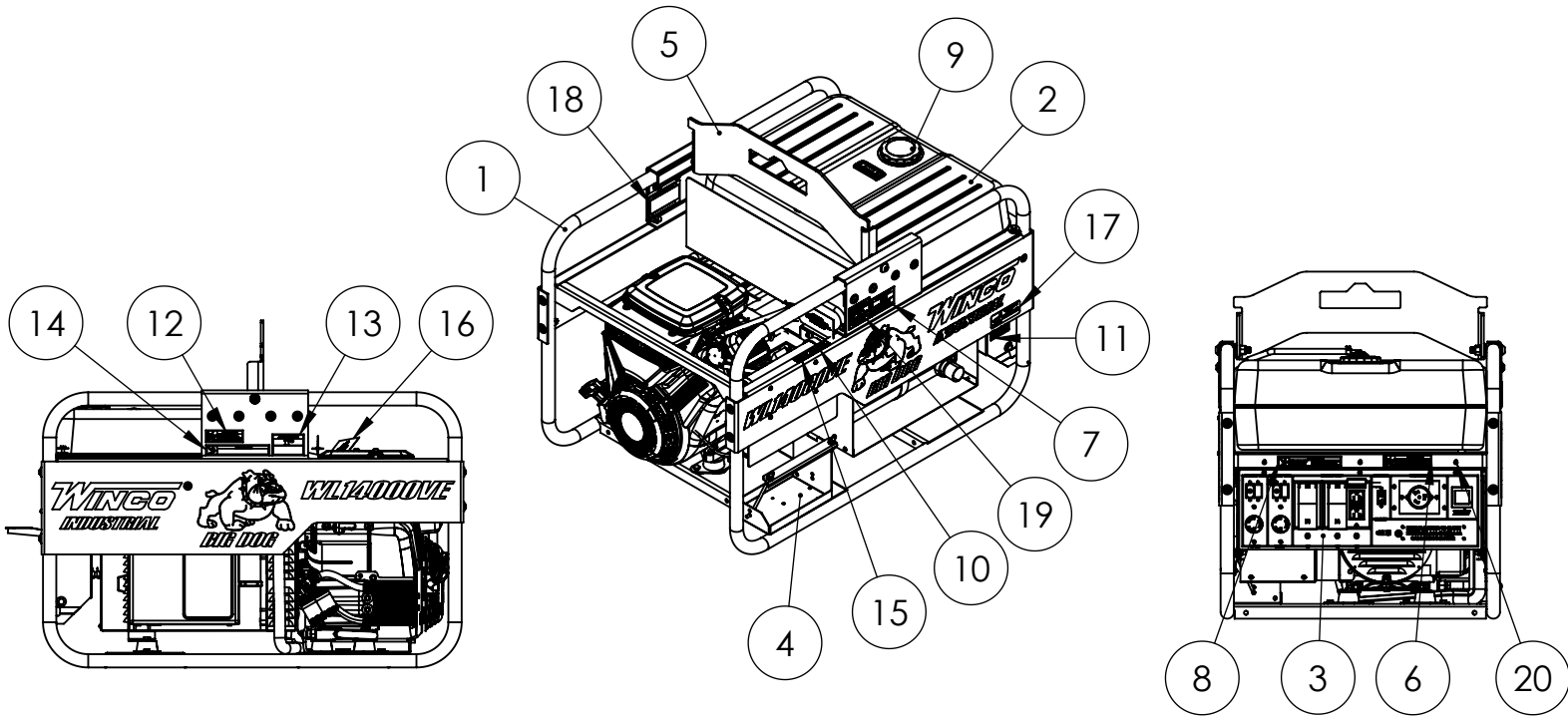


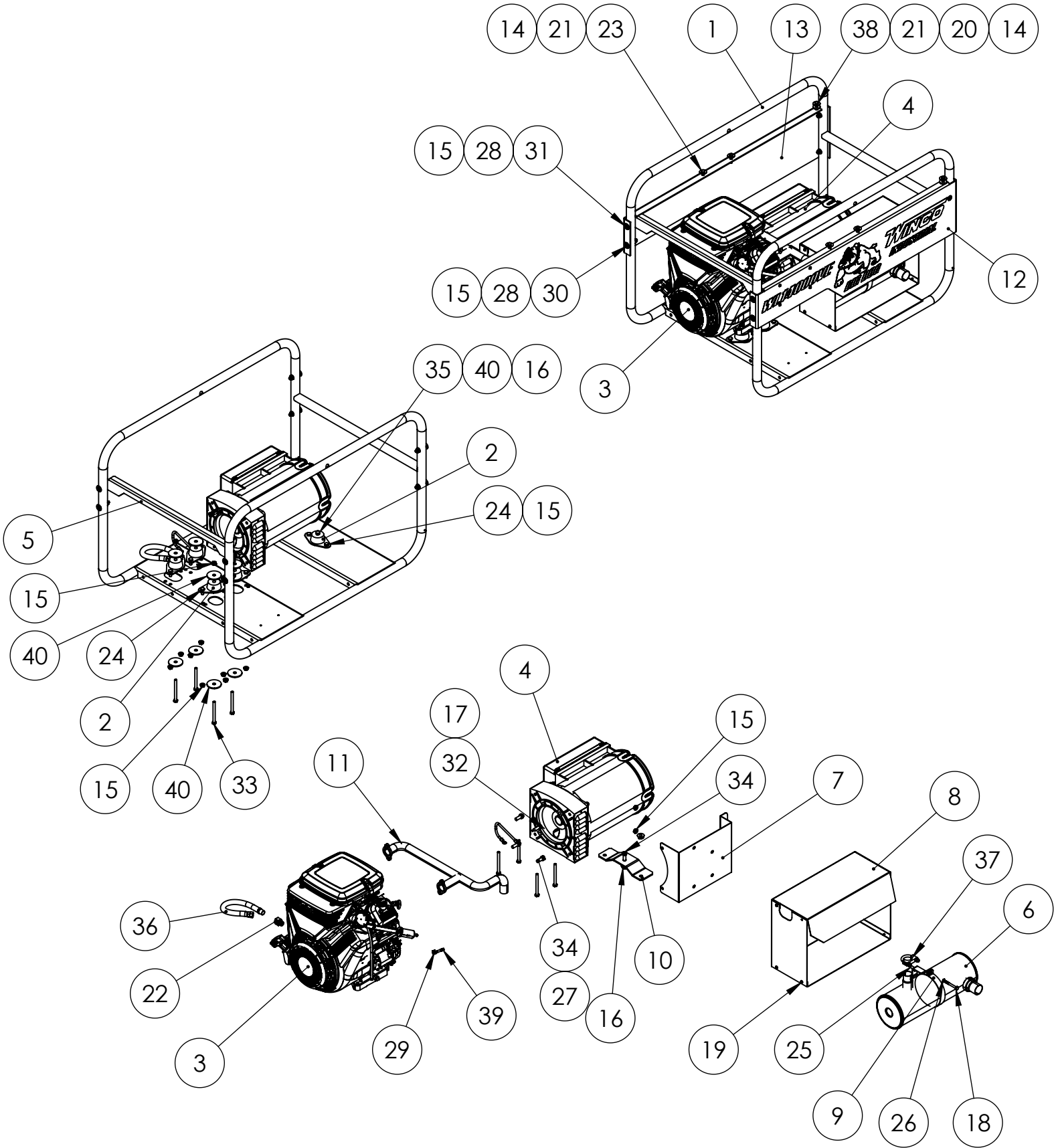
WINCO Service
Phone: 507-357-6831
Email: service@wincogen.com
www.wincogen.com

General Assembly



ITEM NO.	PART NUMBER	DESCRIPTION	QTY.
1	18000-060	ENGINE GENERATOR AND CRADLE	1
2	15163-108	FUEL TANK INSTALLATION	1
3	15457-102	RECEPTACLE ASSEMBLY	1
4	16175-022	BATTERY INSTALLATION	1
5	300144-14	LIFTING EYE ASSEMBLY	1
6	15209-001	GASOLINE DECAL	1
7	15209-002	DECAL - DANGER CARBON MONOXIDE	1
8	15209-003	UL-DECAL ELECTRICAL SHOCK CAN KILL	1
9	15209-013	DECAL - FUEL TYPE GASOLINE	1
10	15209-014	DECAL - CHECK OIL	1
11	15209-036	PROP 65 WARNING DECAL	1
12	15209-101	DECAL, GASOLINE DANGER, FRENCH	1
13	15209-102	DECAL - DANGER CARBON MONOXIDE	1
14	15209-103	UL-DECAL ELECTRICAL SHOCK CAN KILL	1
15	16200-551	MAINT KIT DECAL	1
16	60710-018	OIL WARNING TAG	2
17	63941-001	DECAL - HOT SURFACES	1
18	63966-004	NAMEPLATE, WINCO PORTABLE	1
19	64918-000	DECAL-DANGER (CO) USE OUTSIDE	1
20	21698-001	TORX PAN HEAD SCREW #10	5

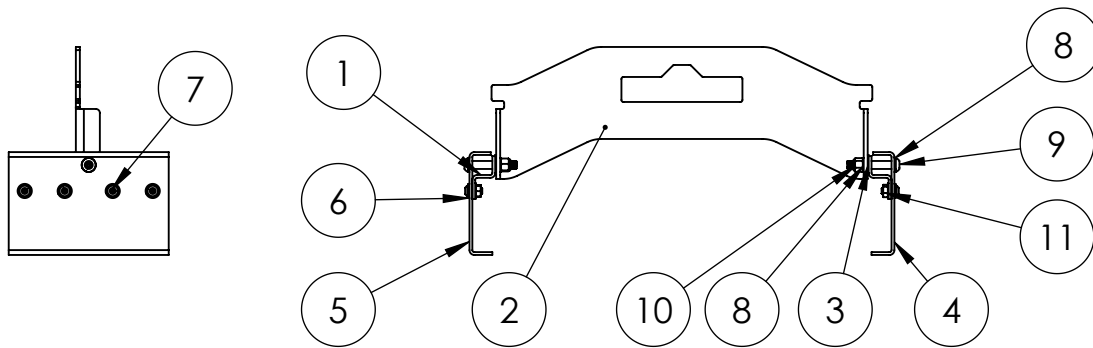
Cradle Assembly



Cradle Assembly Continued.

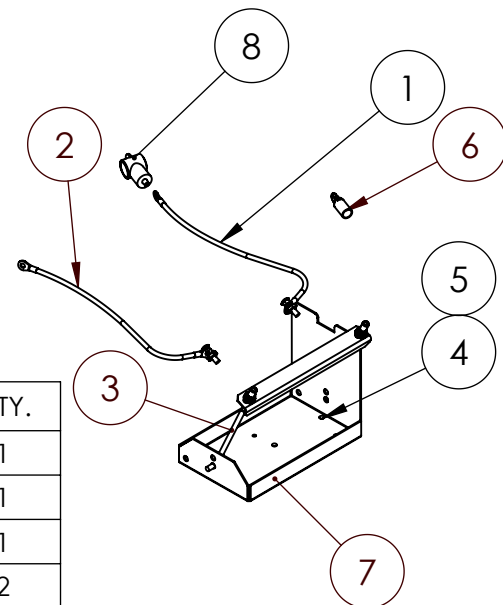
ITEM NO.	PART NUMBER	DESCRIPTION	QTY.
1	63073-067	WELDED CRADLE ASSEMBLY	1
2	98807-000	SHOCKMOUNT 40 DURO	6
3	16410-000	ENGINE-BRIGGS VANGUARD 23 EFI, BLACK, 627CC, 23 HP	1
4	16428-002	GEN END, 15.5kW, 120/240VAC	1
5	15212-084	CRADLE SUPPORT	1
6	350590-29	VG23 MUFFLER	1
7	15687-069	MUFFLER BRACKET	1
8	15687-077	MUFFLER HEAT SHIELD	1
9	350264-17	5IN MUFFLER BRACKET	1
10	16335-028	SUPPORT, GENERATOR	1
11	16479-012	VANGUARD 23 MANIFOLD	1
12	300216-51	LEFT SIDE RAIL	1
13	300217-51	RIGHT SIDE RAIL	1
14	16248-000	.25-20 FLANGE NUT	6
15	16249-000	.3125-18 FLANGE	28
16	16250-000	.375-16 FLANGE NUT	3
17	16446-000	M8-1.25 NYLOCK	4
18	20544-001	HHCS 1/4-20 X 2-1/4 GR2	1
19	21698-001	TORX PAN HEAD SCREW #10	13
20	23558-000	FLAT WSHR. .3435 X 1 .125 THK. ZINC	2
21	267-002	FLAT WSH 9/32X1X.063	6
22	300349-6	ADAPTER M16X1.5(M) X 3/8-18NPT (F)	1
23	439-000	HHB .25-20 X 1	2
24	467-000	HHCS 5/16-18X.75	12
25	477-000	HHCS .3125-18X.625	4
26	479-000	LOCK WASHER .25IN ID.	1
27	481-000	LOCK 3/8 SPLIT	4
28	526-000	WASHER ID .375 OD .890	10
29	62999-005	HOSE CLAMP .41 OD GREEN	1
30	64858-005	BHSCS 5/16-18 X 2.00	6
31	64858-006	BHSCS 5/16-18 X 2.25 BUTTON HEAD SOCKET CAP SCREW	2
32	64908-001	HHCS M8-1.25X35MM 8.8GR ZINC	4
33	91107-000	5/16-18 X 3.5	4
34	91658-001	HHCS 3/8-16X1	5
35	91658-007	3/8-16X2.5	2
36	93079-003	OIL DRAIN HOSE 14 INCH .375NPT	1
37	93489-010	1.25" ID EXHUAST CLAMP	1
38	95281-000	.25-20X1.25 HHB	4
39	98590-002	HOSE REDUCER 1/4X3/16 (SCP)	1
40	98806-000	WASHER .406 X 2	10

Lifting Eye Assembly



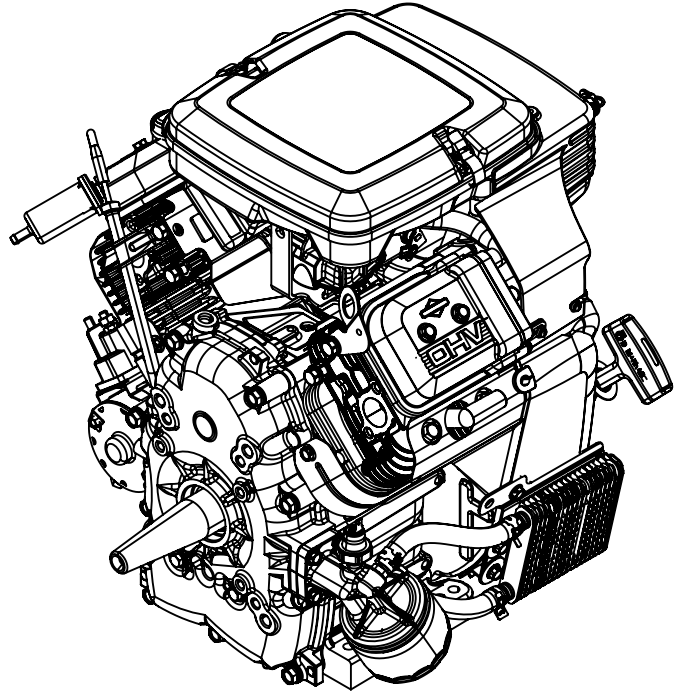
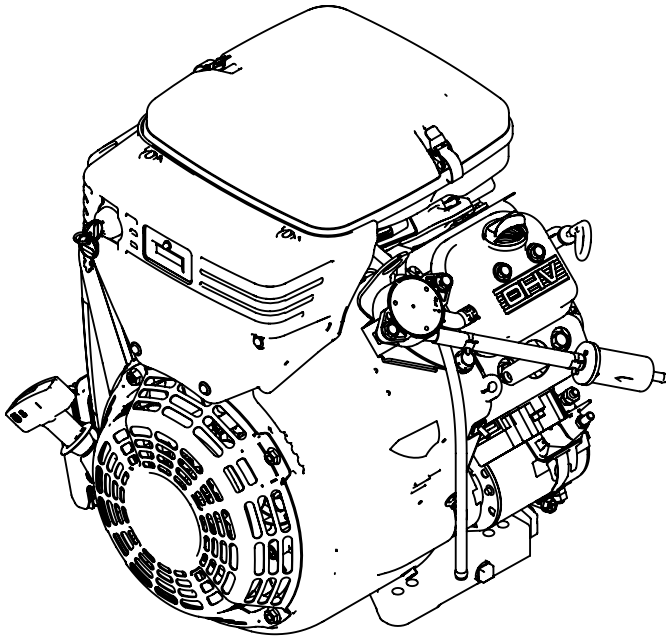
ITEM NO.	PART NUMBER	DESCRIPTION	QTY.
1	300147-6	LIFTING EYE SUPPORT BRACKET	2
2	300148-18	LIFTING EYE	1
3	96286-008	FLAT WASHER NYLON 1.25 OD, .508 ID, .062 THK	2
4	300149-20	LIFTING EYE SIDE SUPORT RIGHT	1
5	300149-21	LIFTING EYE SIDE SUPPORT LEFT	1
6	526-000	WASHER ID .375 OD .890	8
7	64858-010	BHSCS 3/8-16 X 0.875	8
8	21867-001	FLAT WASHER .51 X .88 X .05	4
9	64858-008	BHSCS 1/2-13 X 3.00 BUTTON HEAD SOCKET CAP SCREW	2
10	92242-000	NUT HEX .500-13 NYLOCK	2
11	16250-000	.375-16 FLANGE NUT	8

Battery Installation



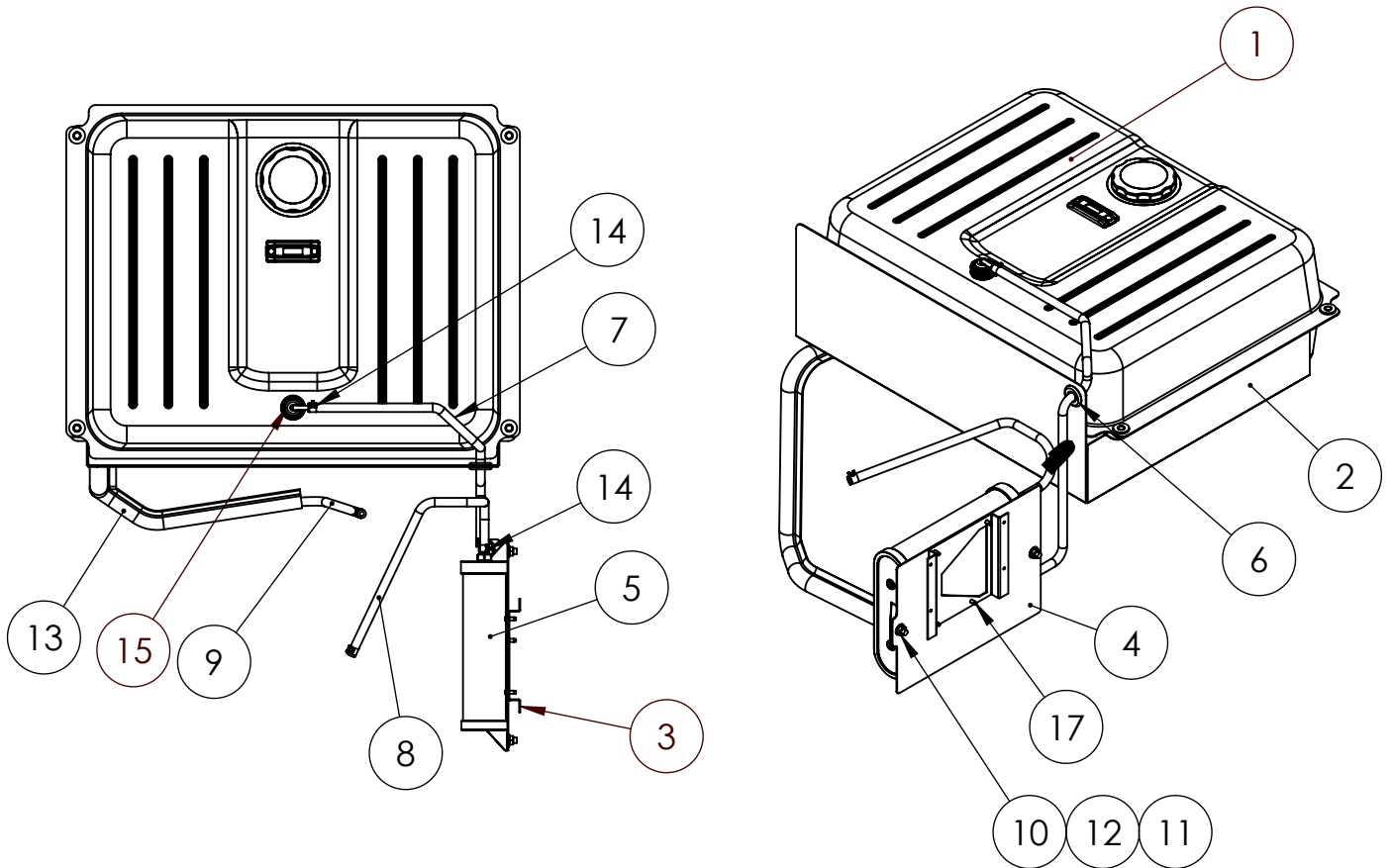
ITEM NO.	PART NUMBER	DESCRIPTION	QTY.
1	15767-027	(POS BATTERY CABLE)	1
2	15767-031	(NEG BATTERY CABLE 16 in)	1
3	15807-002	KIT, BATTERY HOLD DOWN	1
4	95568-000	THREAD STUD 10-24 X .625	2
5	99671-000	#10-24 HEX NUT	2
6	16234-000	CAP PLUG	1
7	15676-013	BATTERY TRAY	1
8	16145-000	INSULATOR, TERMINAL	1

Engine



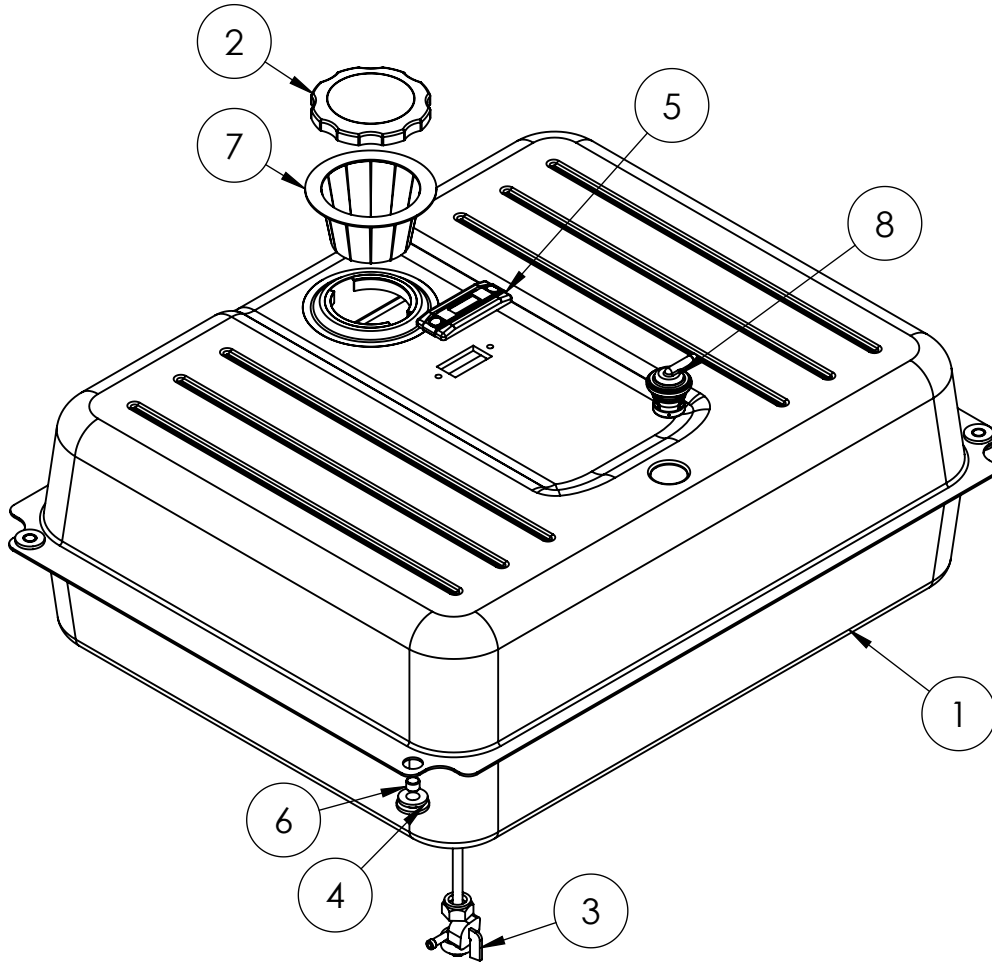
ITEM NO.	PART NUMBER	DESCRIPTION	QTY.
1	2-107	AIR FILTER	1
2	2-123	PRE-AIR FILTER	1
3	2-105	OIL FILTER	1
4	2-106	FUEL FILTER	1
5	300515-31	ENGINE OIL	2
6	2-133	SPARK PLUGS	2
ALL ITEMS LISTED IN THE ABOVE TABLE ARE INCLUDED WITH A 16200-051 MAINTENANCE KIT PURCHASE			
7	2-132	STARTER MOTOR	1
8	2-135	STARTER SOLENOID	1
9	2-140	RECTIFIER REGULATOR	1
10	2-110	FUEL PUMP	1
11	2-141	FUEL INJECTOR	1
12	2-142	FUEL MODULE	1
Contact WINCO service or your Honda dealer for full engine part support.			

Fuel System



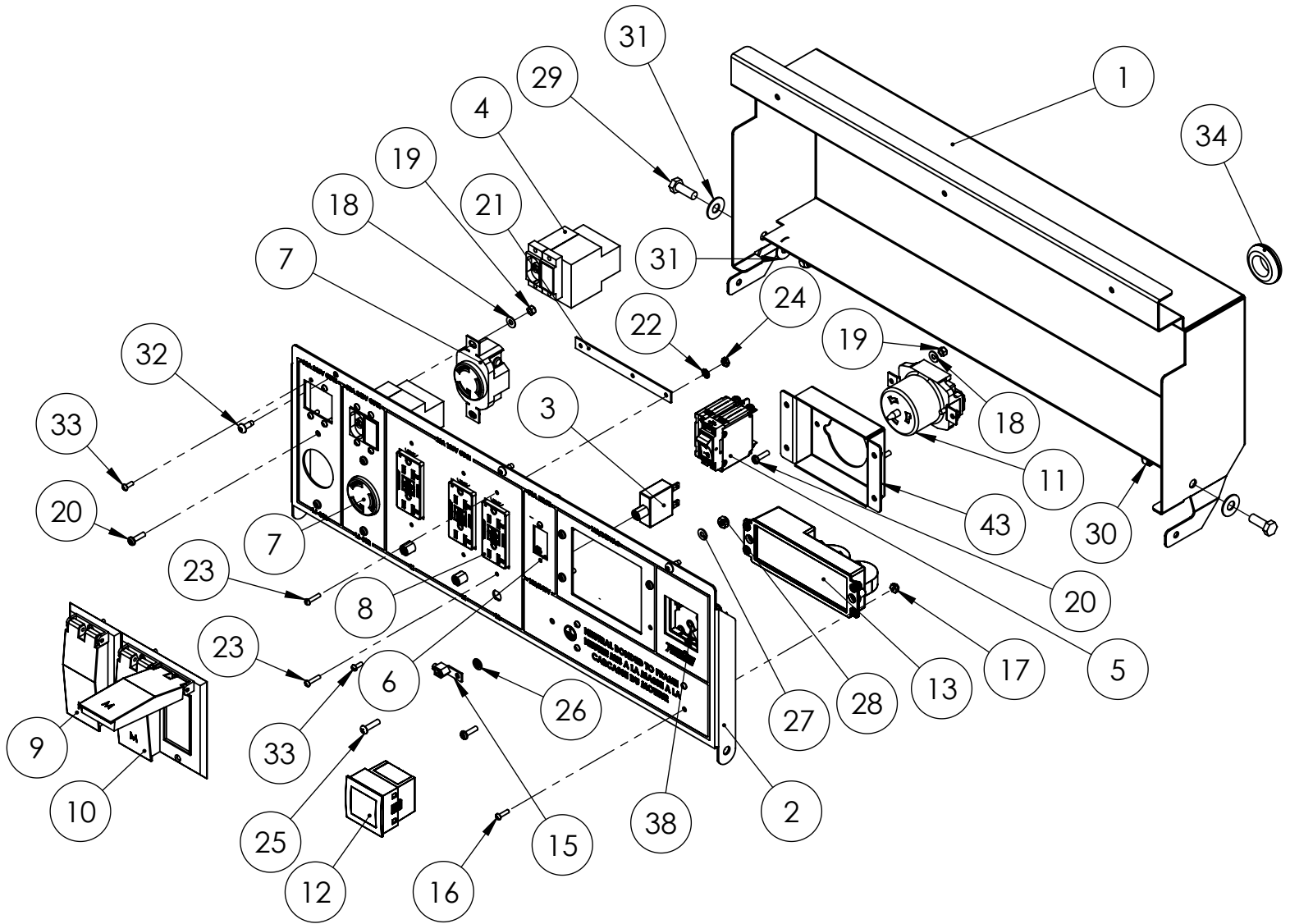
ITEM NO.	PART NUMBER	DESCRIPTION	QTY.
1	64024-014	FUEL TANK 15 GAL. STEEL GASOLINE	1
2	15462-044	FUEL TANK TRAY 15 GAL	1
3	81900-002	CARBON CANISTER BRACKET	1
4	81900-011	CARBON CANISTER MOUNTING PLATE	1
5	80900-001	CARBON CANISTER	1
6	23917-000	GROMMET .6875ID X 1	1
7	40078-018	.25IN ID RUBBER HOSE 26IN LONG	1
8	40078-008	HOSE .25ID RUBBER 24IN	1
9	40078-031	HOSE .25 ID RUBBER 36IN	1
10	16249-000	.3125-18 FLANGE	2
11	467-000	HHCS 5/16-18X.75	2
12	526-000	5/16 FLAT WASHER	2
13	62625-004	30 IN HEAT SLEEVE	1
14	62999-001	HOSE CLAMP .5 OD RED	6
15	80903-002	SLOSH VALVE 1/4" HOSE	1
16	49975-014	STAINLESS STEEL CABLE TIE 8"	2
17	21698-001	TORX PAN HEAD SCREW #10	4

Fuel Tank



ITEM NO.	PART NUMBER	DESCRIPTION	QTY.
1	64024-014	FUEL TANK 15 GAL STEEL GASOLINE	1
2	64024-401	FUEL CAP, SEALED, AUDIBLE, TETHERED	1
3	64024-404	168B FUEL CONTROL VALVE	1
4	64024-406	RUBBER BUSHING	4
5	64024-407	FUEL LEVEL GAUGE, 180MM	1
6	64024-405	ANTI-CRUSH INSERT	4
7	64024-403	FUEL FILTER	1
ALL ITEMS LISTED IN THE TABLE ABOVE ARE INCLUDED WITH A 64024-14 FUEL TANK PURCHASE			
8	80903-002	SLOSH VALVE 1/4" HOSE	1
9	61273-262	TOUCH UP PAINT, BLACK 3048	1

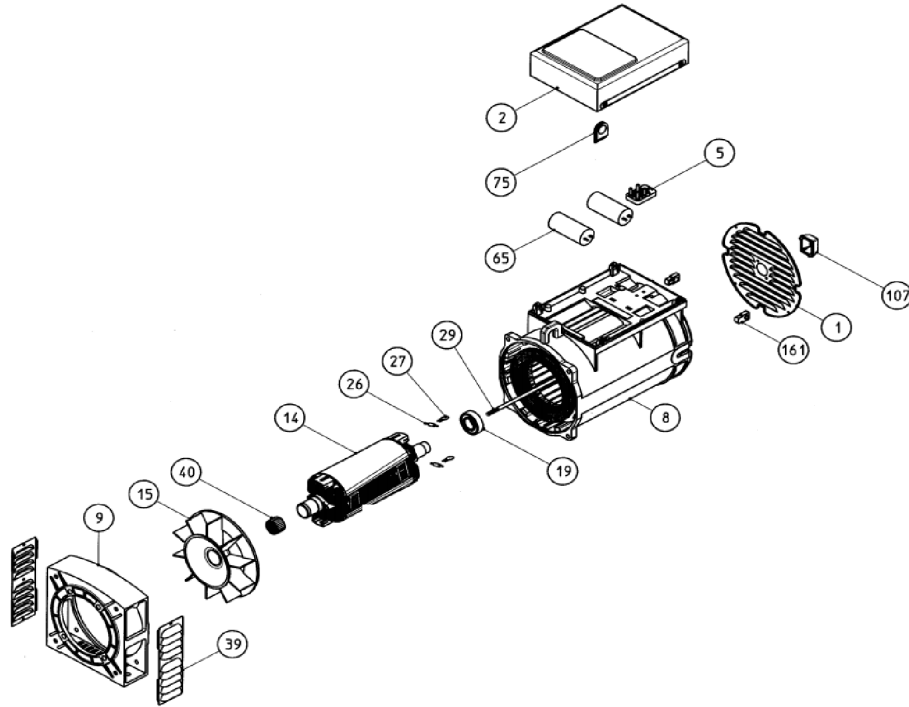
Receptacle Assembly



Receptacle Assembly Continued.

ITEM NO.	PART NUMBER	DESCRIPTION	QTY.
1	15221-033	RECEPTACLE BOX	1
2	15458-102	WL14000 RECEPTACLE PANEL	1
3	91286-006	CIRCUIT BREAKER 25A-1PL	3
4	16488-018	CIR.BRK.30A-2PL-240V-GFCI-CARLING	2
5	16488-023	CIR.BRK.50A-2PL-240V	1
6	57030-023	50A 2PL BREAKER	1
7	57324-000	NEMA L6-30R	2
8	15147-003	RECEPTACLE NEMA 5-20R GFCI DUPLEX	3
9	15620-006	GFCI COVER 5-20R SINGLE MULBERRY	1
10	15620-007	GFCI COVER 5-20R 2 GANG MULBERRY	1
11	91889-000	RECEPT 125/250V 50A	1
12	58166-009	DISPLAY MODULE	1
13	58166-010	TERMINAL BLOCK MODULE	1
14	58165-18	DISPLAY MODULE CABLE	1
15	48042-001	TERMINAL, GROUND LUG, 6-14AWG	1
16	7792-001	BZ RHMS 6-32X.5	4
17	51802-000	NUT HEX #6-32 NYLOCK	4
18	511-000	#8 FLATWASHER	10
19	95985-000	NUT HEX #8-32 NYLOK	10
20	24198-001	BHMS #8-32 x .625 BLACK	10
21	64045-043	MOUNTING STRAP, 3 HOLE, 1.80IN AND 2.80IN	1
22	22989-000	#6 LOCKWASHER	6
23	7792-000	RHMS 6-32 X .625	6
24	394-000	NUT HEX #6-32	6
25	420-001	BZ RHMS 10-24X3/4 PHILLIPS	1
26	21975-000	#10 INT. TOOTH LOCKWASHER	1
27	598-000	#10 WASHER	1
28	5315-000	NUT HEX 10-24 NYLON	1
29	465-000	.3125-18X.875 HHB	2
30	47136-000	HEX NUT .3125-18 NYLOK	2
31	526-000	FLAT WASHER 5/16_3/8	4
32	21698-001	TORX PAN HEAD SCREW #10	3
33	6917-001	RHMS 6-32 X .375 BLACK ZINC	10
34	16302-000	GROMMET .875ID X 1.25	1
35	48602-003	TERMINAL FEMALE 16-14 AWG .250 TAB	4
36	22370-013	TERMINAL, SPADE, 12-10AWG, #10 STUD	12
37	22370-007	TERMINAL SPADE 16/14AWG #10STUD	8
38	4156-000	TERMINAL RING 12-10 #10 STUD	12
39	21114-000	TERMINAL, RING, 8AWG, #10 STUD	2
40	4158-000	TERMINAL RING 16-14 AWG #10	2
41	48602-010	TERM FEMALE 10-12AWG .250X.032 TAB	2
42	98787-000	TERM., PIGBACK, 16-14AWG, .250TAB	1
43	92072-010	50 AMP RECEPTACLE BRACKET	1
44	51319-000	TERMINAL SPLICE CAP COPPER	2
45	51320-000	CLOSED INSULATOR CAP	2

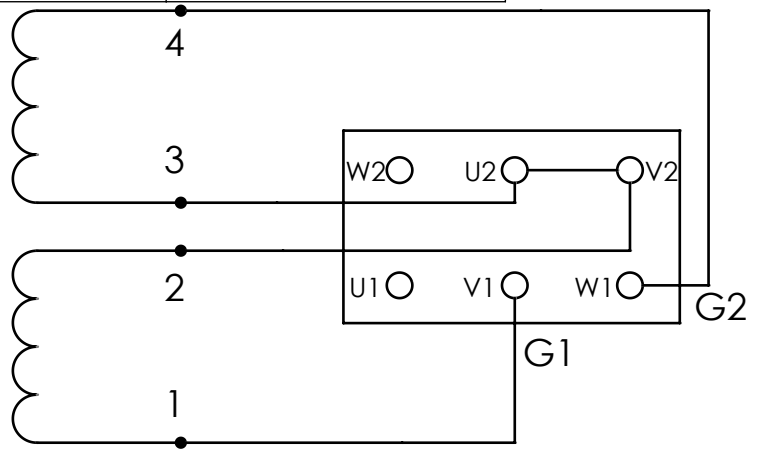
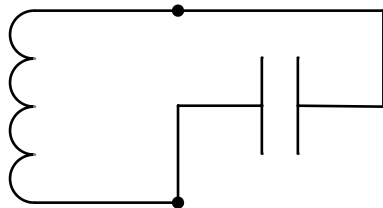
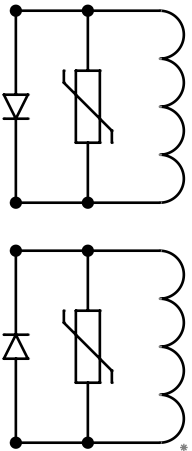
Generator Information



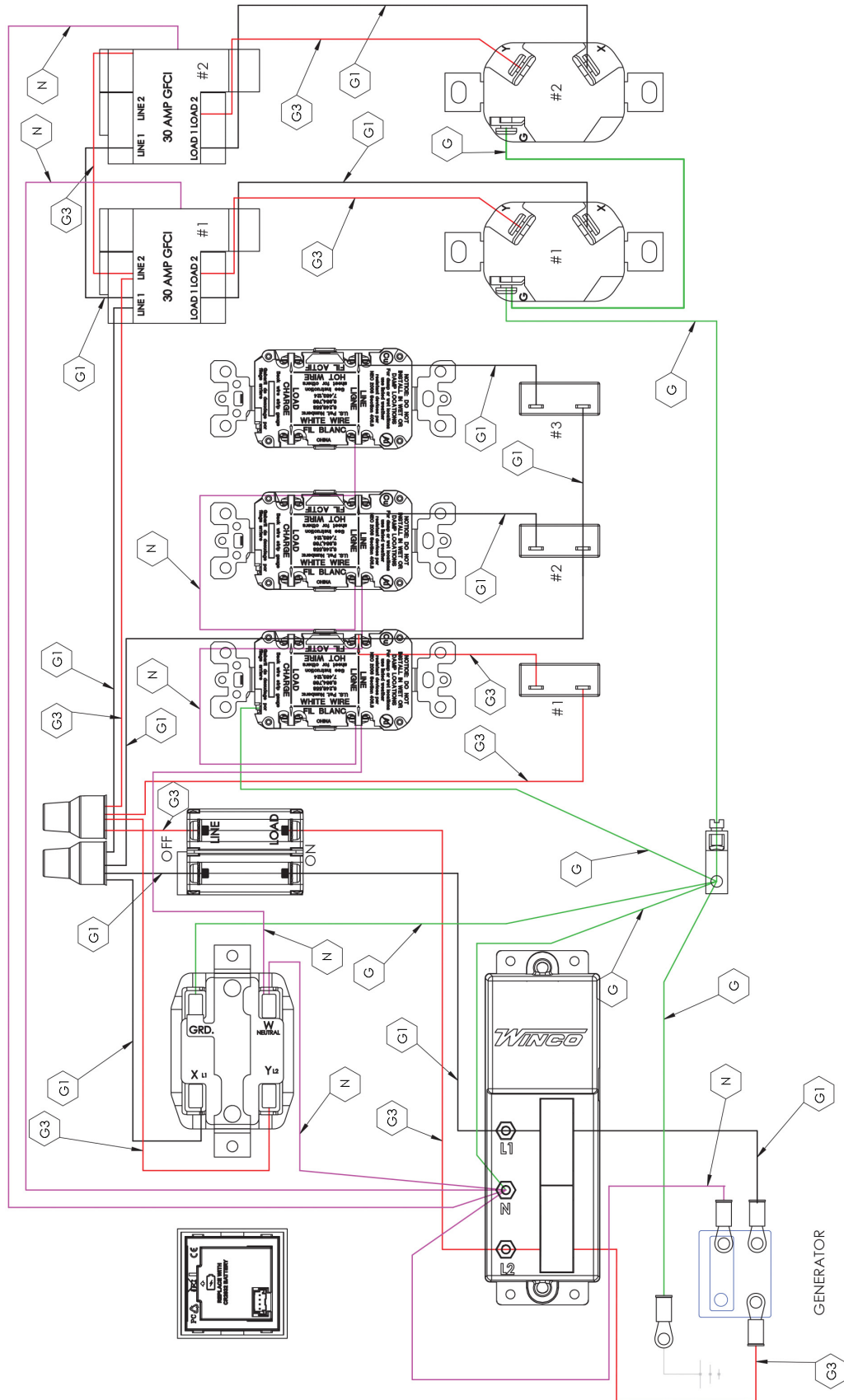
ITEM NO.	PART NUMBER	DESCRIPTION	QTY.
	16428-002	COMPLETE GENERATOR ASSEMBLY	
65	300323-112	31.5 μ F CAPACITOR	1
65	300323-212	35 μ F CAPACITOR	2
19	54665-000	BEARING	1
26	300323-207	DIODE	2
27	16346-106	VARISTER	2

Individual parts not listed here may be obtained from www.meccalte.com Winco Inc. sells the complete generator end or the individual parts listed above.

EXPECTED RESISTANCE (Ω)		
ROTOR	STATOR	EXCITATION
8.04 OHMS	0.056 OHMS	0.41 OHMS



Receptacles Wiring



Engine Electrical Schematic

ECM 

