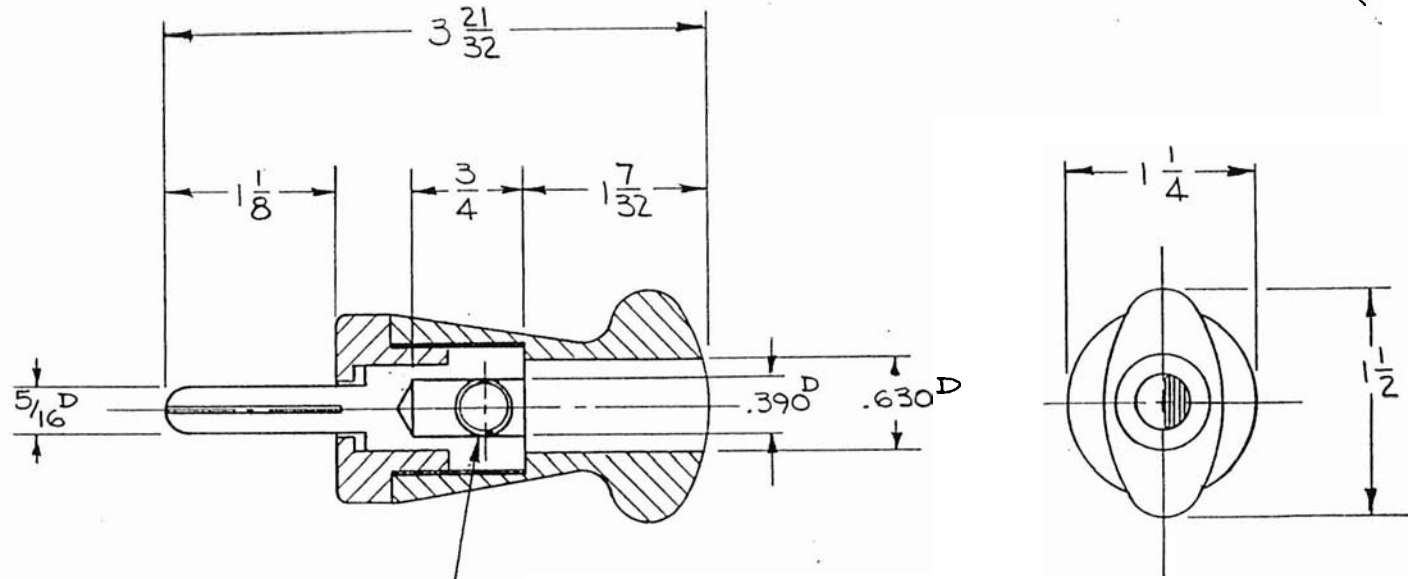


EE-1340



3/8-24 SCREW FOR SOLDERLESS CONNECTION

RELEASED FOR PRODUCTION
AUG 06 1998
WINCO INC.

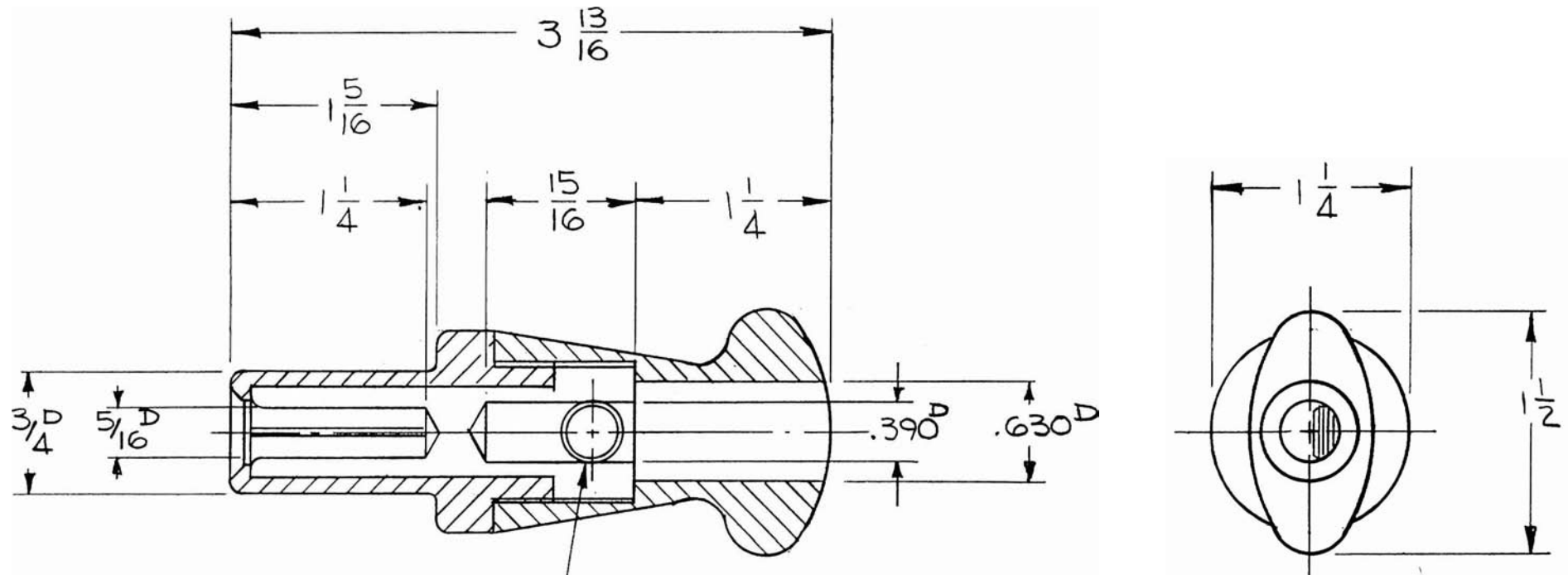
VENDOR:

RATED AT 100 AMPERES
PART NO. - BLACK

				PIN PLUG		
A	ADDED	9-5-67	R.L.T			
CHANGE	WAS ORIGINALLY	DATE	CHK'D	CHG. REQUEST		
					JUL 22 1977	
					JUL 10 1967	
TOLERANCE ON DIMENSIONS NOT OTHERWISE SPECIFIED			DECIMAL ± FRACTIONAL ± ANGULAR ±	REMOVE ALL BURRS BREAK ALL SHARP MACHINED EDGES	NO. _____	MICROFILM DATA
				MATERIAL PURCHASED		
				WINPOWER MFG. CO. NEWTON, IOWA		

Std. B. P. Co. 8241

EE-1340



$\frac{3}{8}$ -24 SCREW FOR SOLDERLESS CONNECTION

WINPOWER, INC

VENDOR:

JAN 24 2007

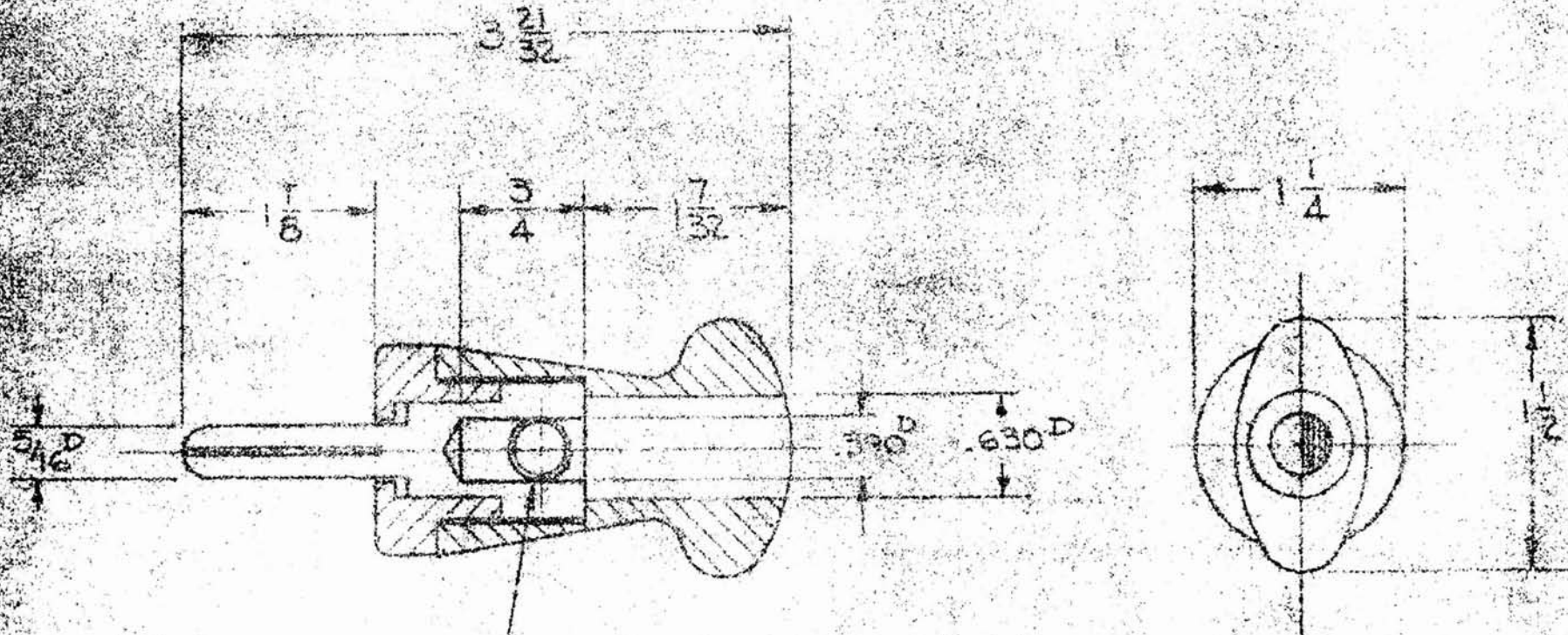
PART NO

(WHITE)

RELEASED FOR PRODUCTION

RATED AT 100 AMPERES

						SOCKET PLUG	
						JUL 22	
CHANGE	WAS ORIGINALLY	DATE	CHK'D	CHG. REQUEST		SCALE 1=1	MODEL NO.
						DATE 12-14-66	PART NO. EE-1342
TOLERANCE ON DIMENSIONS NOT OTHERWISE SPECIFIED					NO. REQ'D.	MICROFILM DATA	CHK'D
DECIMAL ± FRACTIONAL ± ANGULAR ±					REMOVE ALL BURRS BREAK ALL SHARP MACHINED EDGES	JUL 10 1967	
MATERIAL PURCHASED						WINPOWER MFG. CO.	



WINPOWER, INC

MAY 14 2003

RELEASED FOR PRODUCTION

VENDOR

RATED AT 100 AMPERES
PART NO. RED

EE-1346

						DIN PLUG	
						SCALE 1:1	MODEL NO.
						DATE 12-14-66	PART NO. EE-1346
						DWN T.C.B.	CHK'D
						JUL 22 1977	
						JUN 10 1967	
						MICROFILM DATA	
						MATERIAL PURCHASED	
						WINPOWER MFG. CO. NEWTON, IOWA	

ALL DIMENSIONS UNLESS OTHERWISE SPECIFIED

DECIMAL ±
FRACTIONAL ±
ANGULAR ±

REMOVE ALL BURRS
BREAK ALL SHARP
MACHINED EDGES

NO. REC'D