

MODEL 80/40PTJD

TYPE 2

MODEL 80/40PTJD/5

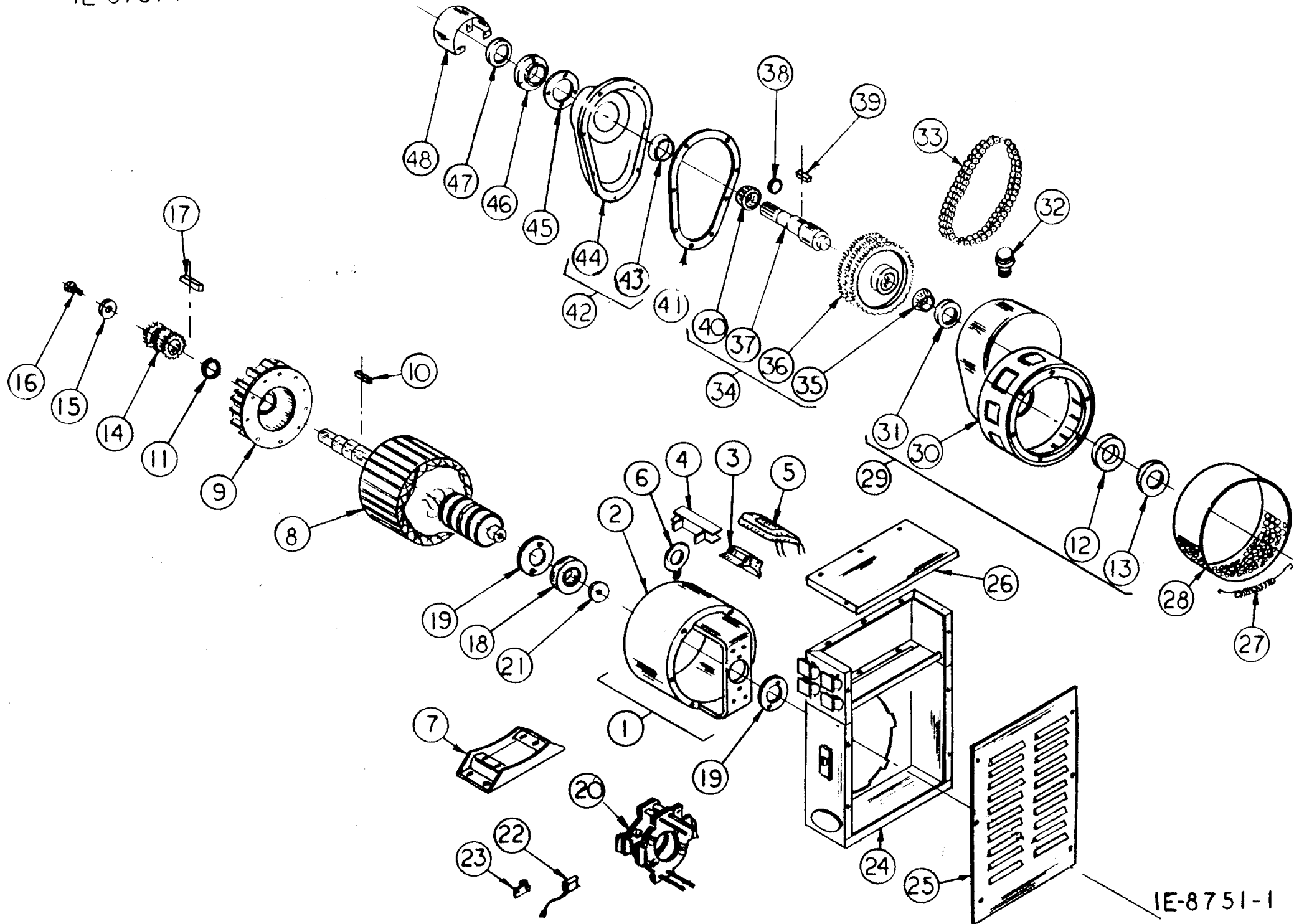
TYPE 2

REF. NO.	PART DESCRIPTION	PART NO.	REQ'D UNIT
1	Field Frame Assembly	G-5909	1
2	Field Frame	G-5938	1
3	Field Pole	G-5936	4
4	Coil Shield	J-514-1	8
5	Field Coil	H-1091	4
6	Lift Eye	S-7044	1
7	Base Assembly	G-5940	1
8	Armature Assembly	G-5939-4	1
9	Fan Assembly	G-5971	1
10	Fan Key	S-2056-26	1
11	Retaining Ring	11112	1
12	Bearing DE	D-73	1
13	Grease Seal	X-202	1
14	Sprocket - Lower 4 Row	S-7075	1
15	Washer	S-7261	1
16	Screw	3524-3	1
17	Key - Sprocket	S-2056-89	1
18	Bearing - Slip Ring End	D-8	1
19	Bearing Retainer	W-43	2
20	Brush Gear Assembly	G-5945	1
21	Washer	S-7261	1
22	Brush	Y-122	16
23	Brush Spring	G-3422	16
24	Panel Back Assembly	G-5975-7	1
25	Panel Front	S-7170-1	1
26	Panel Top Cover	S-6927	1
27	Spring	S-7061	1
28	Wrapper	S-7037	1
29	Gear Case Housing Assembly	G-5908	1
30	Housing	I-884	1
31	Bearing Cup	D-27	1
32	Vent Cap	10800	1
33	Drive Chain 4-Row	G-6078	1
34	Drive Shaft Assembly	G-5925-1	1
35	Bearing Cone	D-28	1
36	Sprocket - 4 Row	S-7300	1
37	Shaft - 6 Spline 1-3/8 Diameter	N-593-4	1
38	Washer - Hardened	S-7046	1
39	Key	S-2056-87	1
40	Bearing Cone	D-70	1
41	Gasket	X-197	1
42	Gear Case Cover Assembly	G-5924	1
43	Bearing Cup	D-71	1
44	Gear Case Cover	IO-868	1
45	Gasket	X-198	AR
46	Retainer Plate	I-883	1
47	Seal - Upper	X-201	1
48	PTO Guard	S-7606	1

Wiring Diagram IE-8449-12
Parts Diagram IE-8751-1

PL-1974-1
(Rev. 6-1-78)

1E-8751-1



1E-8751-1

MODEL 80/40PTJD
 TYPE 2
 MODEL 80/40PTJD/5
 TYPE 2

Panel Assembly G-5975-7

REF. NO.	PART DESCRIPTION	PART NO.	REQ'D UNIT
1	Panel Weld Assembly	G-5838-18	1
2	Tinnerman	4957	9
3	Ground Lug	EE-1671	1
4	Circuit Breaker	EE-2807-8	1
5	Upper Panel	G-5973-2	1
6	Transformer	EE-2038	1
7	Choke	EE-1978	1
8	Voltmeter	VM-71-2(A)	1
9	Heat Sink	A-788	1
10	Rectifier Assembly	EE-2214	1
11	Varistor (discontinued 1-1978)	EE-2204	1
12	Capacitor & Strap	EE-1539	1
13	Mounting Plate	S-5027-1	1
14	Circuit Breaker 15 Amp	EE-1830	1
15	Circuit Breaker 50 Amp	EE-1805	1
16	Receptacle 50 Amp	EE-2311	1
17	Receptacle 15 Amp	EE-323	1
18	Field Circuit Breaker	EE-1865	1
19	Not Applicable		
N.S.	Cover Assembly	G-7222	1
N.S.	2 Pole Load Plug Housing	EE-2327	2
N.S.	Load Plug Contacts	EE-2328	1
N.S.	Load Plug Bracket	S-9286	1
(B)N.S.	Voltmeter Shield	S-9675	1
	Wiring Diagram	IE-8449-12	
	Parts Drawing	IE-8752-1	

(A) Was VM-71 6-1-82
 (B) Added 6-1-82
 (C) Was EE-1863 11-21-84 GRS

