

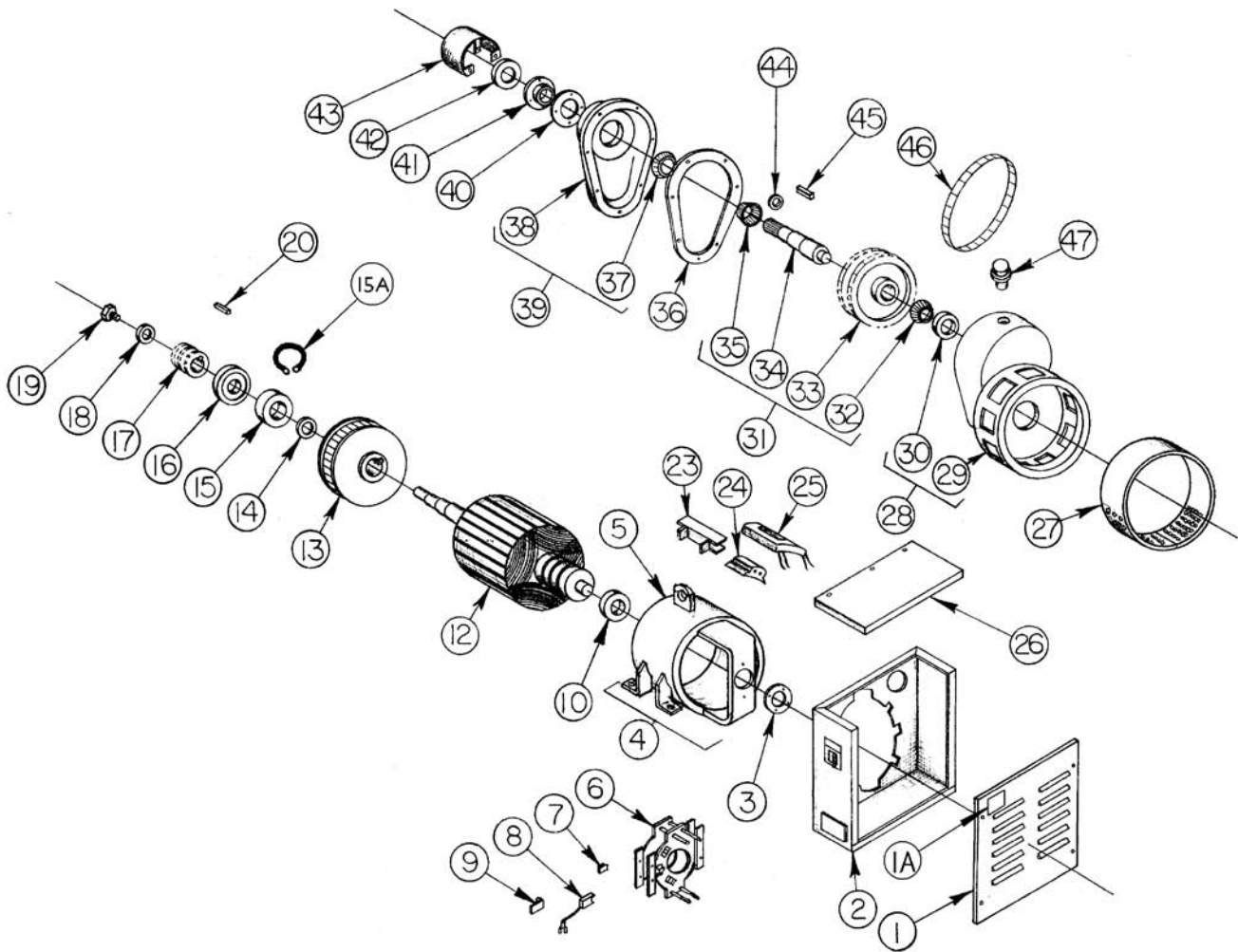
WINPOWER

ILLUSTRATED PARTS LIST

50/30PTCDF/T2



GENERATOR ASSEMBLY

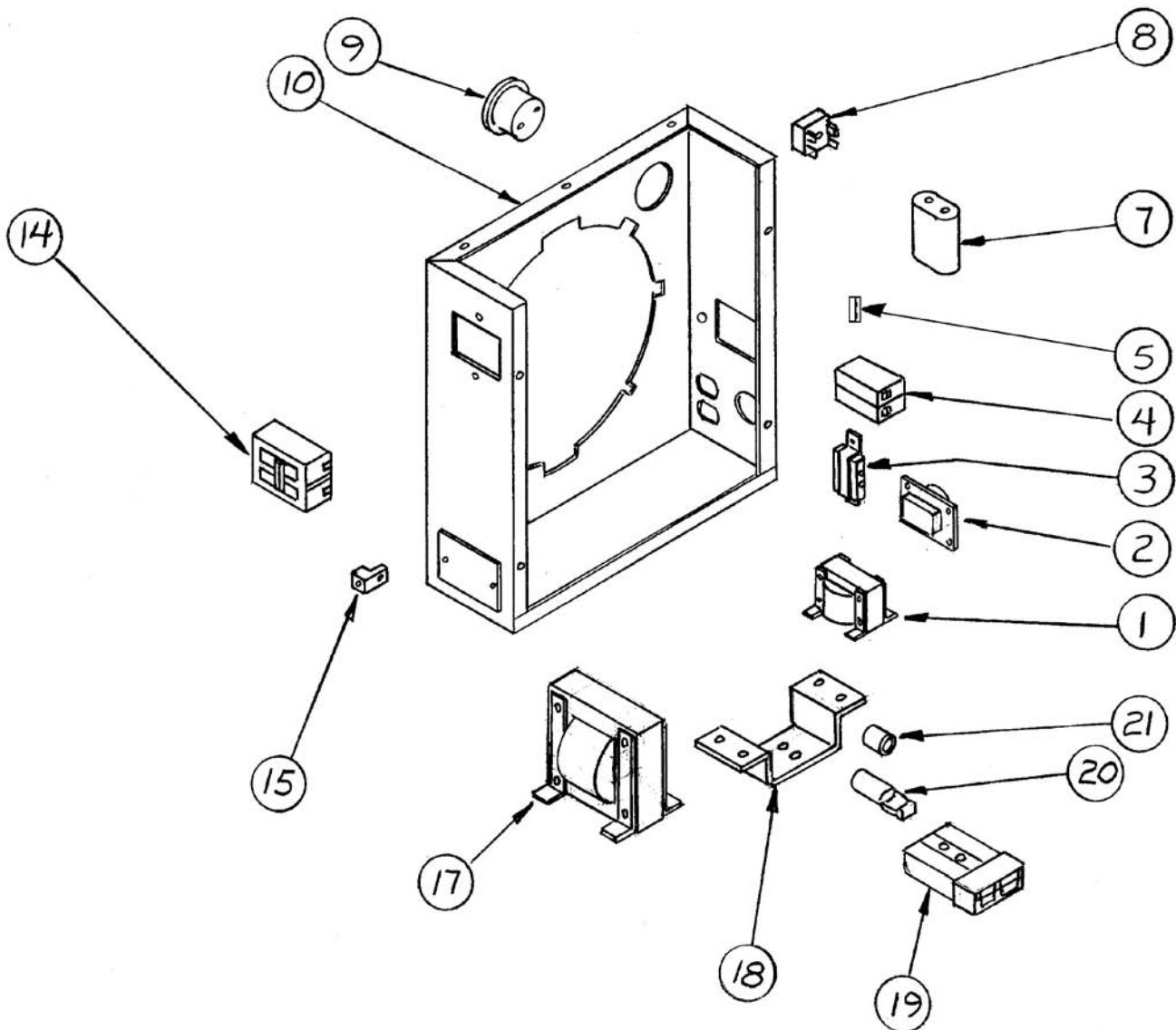


REF #	PART NUMBER	QTY	DESCRIPTION
1	S5851-18	1	End Panel
1A	G7222	1	Cover Assembly
2	S74215	1	Panel Back & Sides
2A	S692814	1	Bottom Panel
3	W43	1	Bearing Retainer
3A	S62893	1*	0.010 Shim
4	G543221	1	Field Frame Assembly
5	G6362	1	Field Frame
6	G54301	1	Brush Gear Assembly
7	4957	9	Retaining Nut
7A	49571	1	Retaining Nut
8	Y51	9	Brush

REF #	PART NUMBER	QTY	DESCRIPTION
9	G3422	9	Brush Spring
10	D8	1	Bearing Slip Ring End
12	G745213	1	Armature
13	G58781	1	Fan
14	S7019	1	Washer
15	D3	1	Bearing
15A	11126	1	Retainer Ring
16	TE888	1	Grease Seal
17	S9630	1	4-Row Lower Sprocket
18	1211	1	Washer
19	11508	1	Screw
20	S746712	1	Sprocket Key
23	J5282	8	Coil Shield
24	G50371	4	Field Pole
25	H10941	2	Straight Field Coil
25A	H10942	2	Crossed Field Coil
26	S76232	1	Panel Top Cover
27	S7037	1	Wrapper
27A	S7061	1	Spring
28	G5922	1	Gear Case Housing Assy
29	I8851	1	Gear Case Housing
30	D27	1	Bearing Cup
31	G59251S	1	Drive Shaft Assembly
32	D28	1	Bearing Cone
33	S7300	1	4-Row Upper Sprocket
34	N5934	1	6-Spline Shaft
35	D70	1	Bearing Cone
36	X197	1	Gear Case Gasket
37	D71	1	Bearing Cup
38	I884	1	Gear Case Cover
39	G5924	1	Gear Case Cover Assy
40	X1981	varies	Shim .001 Thick Amber
40a	X1982	"	Shim .002 Thick Red
40b	X1983	"	Shim .005 Thick Blue
40c	X1984	"	Shim .010 Thick Brown
40d	X1985	"	Shim .020 Thick Yellow
40e	X1989S		Shim Kit
41	I883	1	Retainer Plate
42	X201	1	Upper Seal

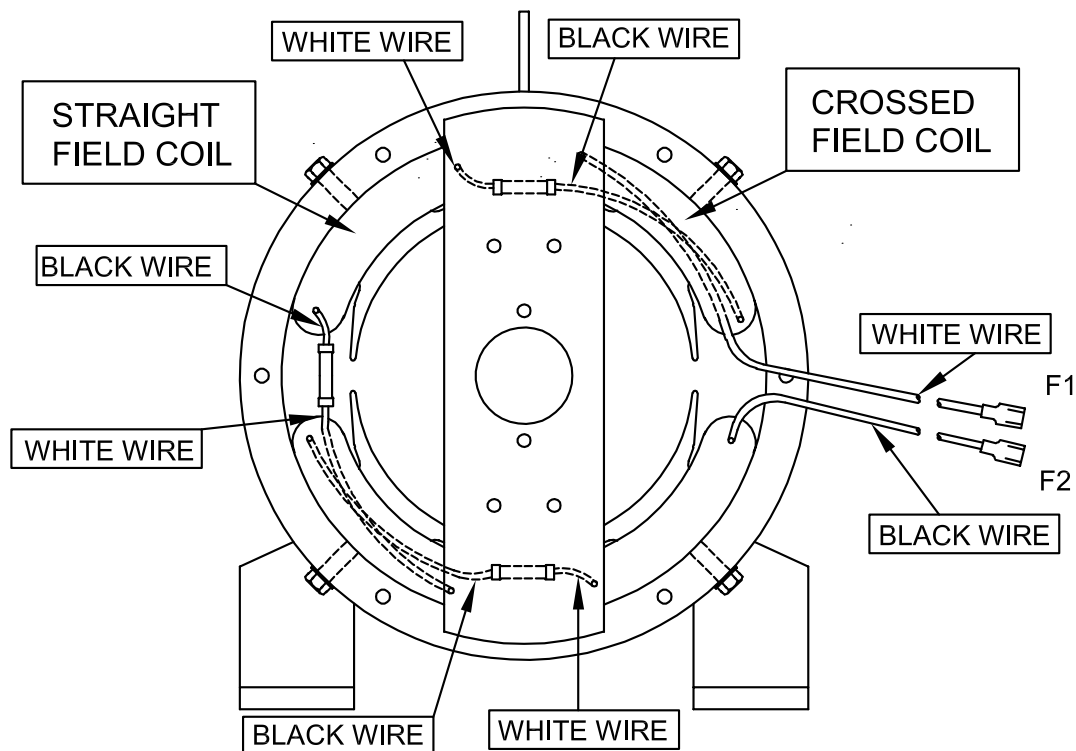
REF #	PART NUMBER	QTY	DESCRIPTION
43	S7606	1	PTO Guard
44	S7046	1	Hardened Washer
45	S205686	1	Key
46	G7467	1	4-Row Drive Chain
47	10801	1	Breather
*	As required		

END PANEL ASSEMBLY

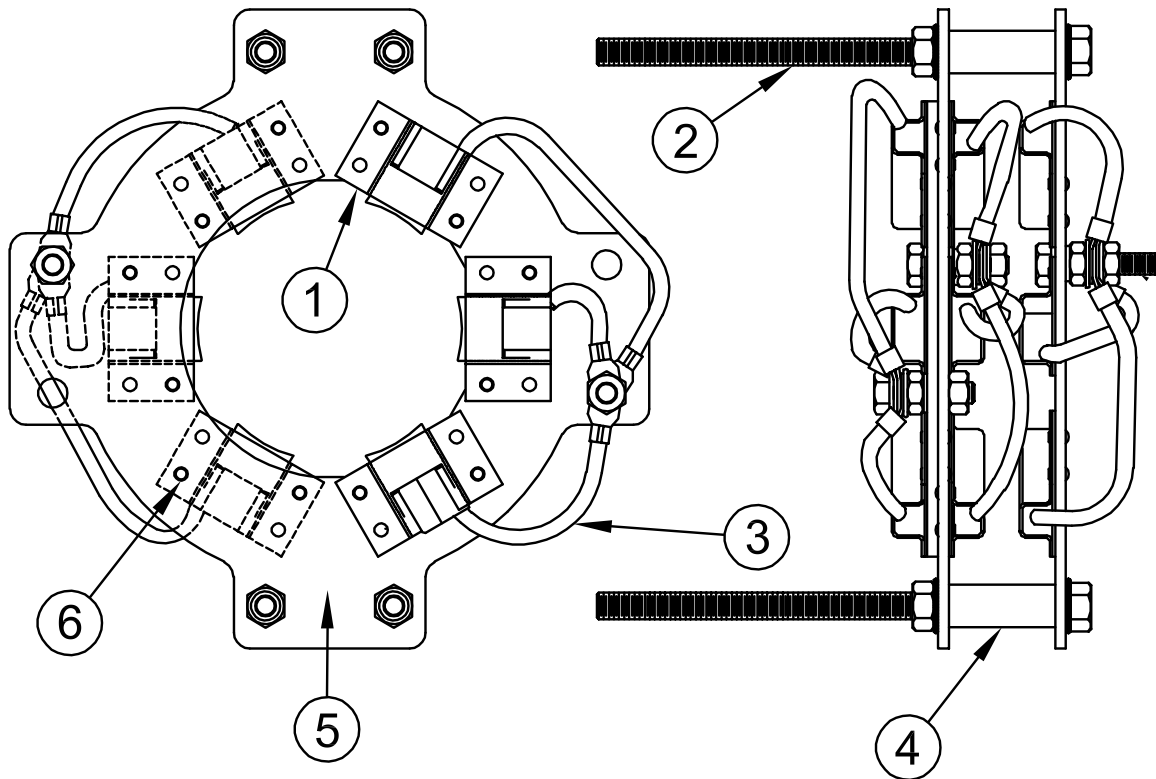


REF #	PART NUMBER	QTY	DESCRIPTION
1	EE2056	1	Choke
2	EE399	1	50A 240V Receptacle
3	EE323	1	15A 120V Receptacle
4	EE28098S	1	50A Circuit Breaker
5	91286-000	1	15A Circuit Breaker
7	EE1539	1	Capacitor
8	EE2214	1	Rectifier
9	300498	1	Frequency Meter 55-65hz
10	S74215	1	Panel Back & Sides
14	EE280914S	1	125A Circuit Breaker
15	63708-000	1	Ground Lug
17	EE2059	1	Transformer
18	S9292	1	Load Plug Bracket
19	EE2327	2	Load Plug Housing
20	EE23282	4	Load Plug Contact
21	EE23303	3	Contact Bushing

FIELD FRAME ASSEMBLY

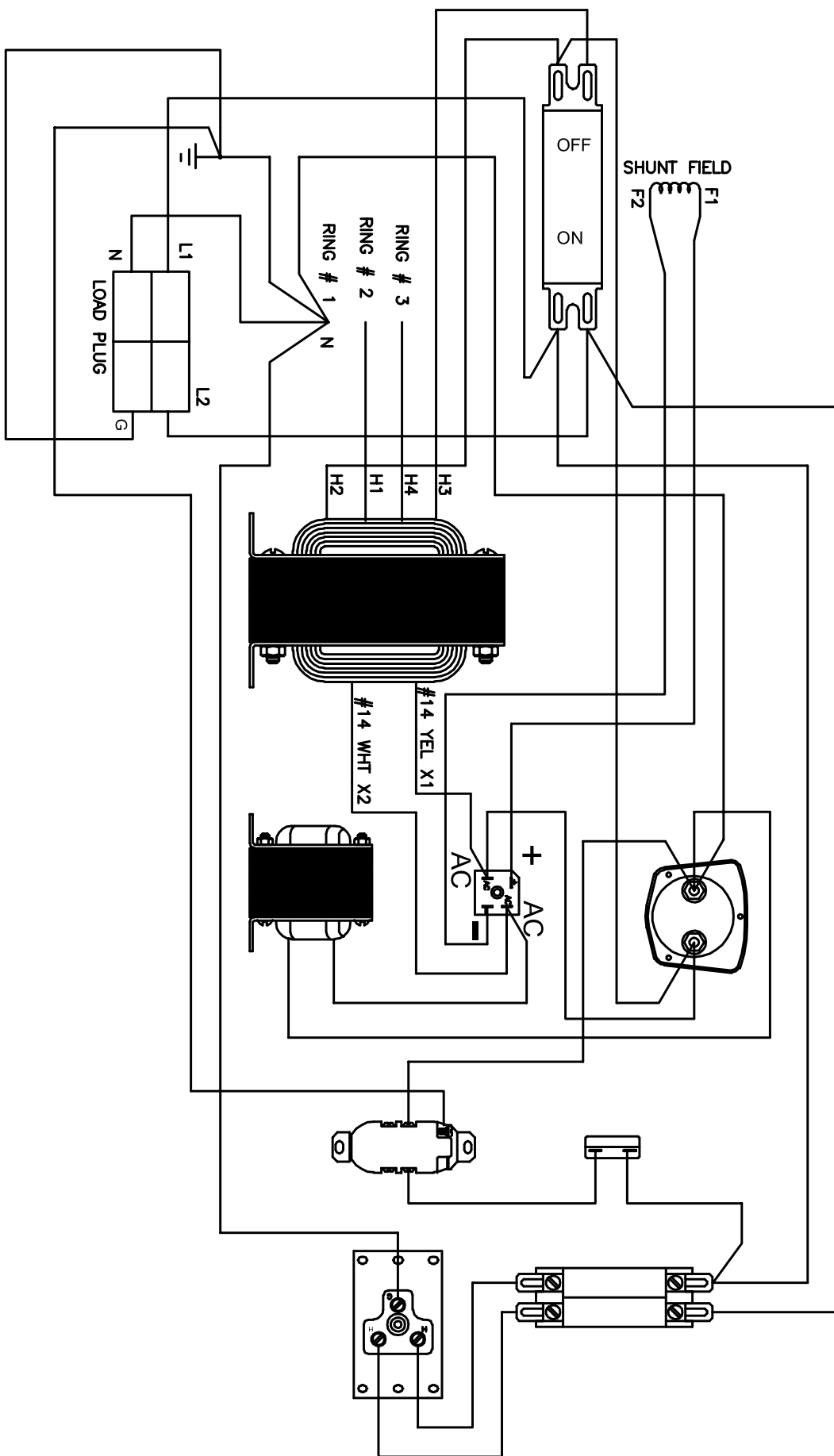


BRUSH RACK ASSEMBLY



REF #	PART NUMBER	QTY	DESCRIPTION
1	B61721	9	Brush Holder Bracket
2	468-002	4	5/16" - 18 X 5" Bolt
3	Y51	9	Brush
4	S63052	4	Spacer
5	J558	2	Brush Ring
6	41149	12	Rivets (longer ones)
NI	7001	24	Rivets (shorter ones)
NI	1033	6	Brass Washer
NI	Not Illustrated		

50/30PTCDF/T2



DECALS

REF #	PART NUMBER	QTY	DESCRIPTION
NI	Z25081	2	Winpower Decal
NI	Z2516	1	Warning Decal
NI	Z25272	1	Connection Decal
NI	Z2553	1	Operating Decal
NI	Z2568	1	Danger PTO Decal
NI	Z9941	1	Oil Fill Decal
NI	91369-000	1	540 rpm Decal
NI	Z2599S	1	Decal Kit
NI	Not Illustrated		

RESISTANCE VALUES:

ARMATURE: RING 1 & 2	RING 1 & 3	RING 2 & 3
.031 Ohms	.031 Ohms	.062 Ohms

FIELDS: F1 - F2
2.1 Ohms per coil
8.5 Ohms per set

WINPOWER

225 S. CORDOVA AVE.
LECENTER, MN 56057
507-357-6821
SERVICE DEPT.
507-357-6831