

PARTS LIST FOR MODELS 30/20PTCD

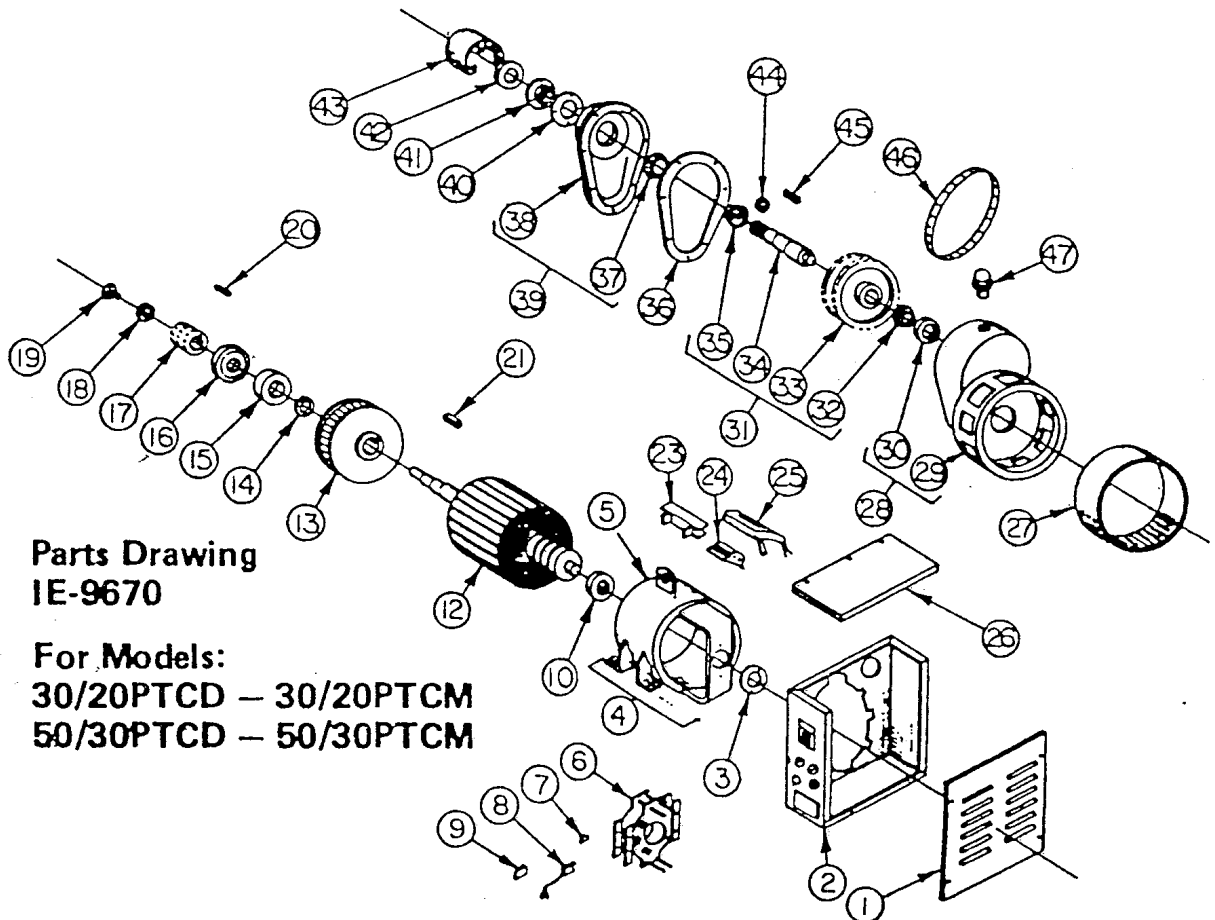
REF.	DESCRIPTION	PART NO.	REQ'D	Model			
				30/20PTCD	30/20PTCM	50/30PTCD	50/30PTCM
1	Panel Front	G-7231	1	x	x	x	x
2	Panel Back Assembly	G-5434-38	1	x	x		
		G-5434-43	1			x	x
3	Bearing Retainer	W-43	1	x	x	x	x
4	Field Frame Assembly	G-4776-17	1	x	x		
		G-5432-21	1			x	x
5	Field Frame	G-7286	1	x	x		
		G-6362	1			x	x
6	Brush Gear Assembly	G-5430-1	1	x	x	x	x
7	Tinnerman	4996	6	x	x	x	x
8	Brush	Y-51	9	x	x	x	x
9	Brush Spring	G-3422	9	x	x	x	x
10	Bearing-Slip Ring End	D-8	1	x	x	x	x
11	Not Applicable						
12	Armature	G-7295-1	1	x	x		
		G-7452-13	1			x	x
13	Fan Assembly	G-5878-1	1	x	x	x	x
14	Washer	S-7019	1	x	x	x	x
15	Bearing - DE	D-3	1	x	x	x	x
16	Grease Seal	TE-888	1	x	x	x	x
17	Sprocket - Lower - 3 row	S-6350-1	1	x			
	- 3 row	S-6779-2	1		x		
	- 4 row	S-9630	1			x	
	- 3 row	S-9631	1				x
18	Washer	1211	1	x	x	x	x
19	Screw	11508	1	x	x	x	x
20	Key - Sprocket	S-7467-12	1	x	x	x	x
21	Key - Fan	S-2056-90	1	x	x	x	x
22	Not Applicable						
23	Coil Shield	J-528-2	8	x	x		
		J-635	8			x	x
24	Field Pole	G-7287	4	x	x		
		G-5037-1	4			x	x
25	Field Coil	H-1094	4			x	x
25a	Field Coil	H-1232-1	1	x	x		
25b	Field Coil	H-1232-2	1	x	x		
25c	Field Coil	H-1232-3	1	x	x		
25d	Field Coil	H-1232-4	1	x	x		
26	Panel Top Cover	S-7623-2	1	x	x	x	x
27	Wrapper	S-7037	1	x	x	x	x
28	Gear Case Housing Assy.	G-5922	1	x	x	x	x
29	Housing	I-885	1	x	x	x	x
30	Bearing Cup	D-27	1	x	x	x	x
31	Drive Shaft Assembly	G-5925	1	x			
		G-5925-1	1			x	
		G-5964	1		x		x
32	Bearing Cone	D-28	1	x	x	x	x
33	Sprocket - 4 row	S-7300	1			x	
	- 3 row	S-7301	1	x			
	- 3 row	S-6778-1	1		x		x
34	Shaft 6 Spline 1 3/8	N-593	1	x			
		N-593-4	1			x	
		N-593-3	1		x		x

Coll. Rings
G 7601

— 30/20PTCM — 50/30PTCD — 50/30PTCM

REF.	DESCRIPTION	PART NO.	REQ'D	Model			
				30/20PTCD	30/20PTCM	50/30PTCD	50/30PTCM
35	Bearing Cone	D-70	1	x	x	x	x
36	Gasket	X-197	1	x	x	x	x
37	Bearing Cup	D-71	1	x	x	x	x
38	Gear Case Cover	I-884	1	x	x	x	x
39	Gear Case Cover Assy.	G-5924	1	x	x	x	x
40	Shim .001 Thick Amber	X-198-1		x	x	x	x
a	Shim .002 Thick Red	X-198-2		x	x	x	x
b	Shim .005 Thick Blue	X-198-3		x	x	x	x
c	Shim .010 Thick Brown	X-198-4		x	x	x	x
d	Shim .020 Thick Yellow	X-198-5		x	x	x	x
41	Retainer Plate	I-883	1	x	x	x	x
42	Seal - Upper	X-201	1	x	x	x	x
43	PTO Guard	S-7606	1	x	x	x	x
44	Washer - Hardened	S-7046	1	x	x	x	x
45	Key	S-2056-86	1	x	x	x	x
46	Drive Chain - 3 row	G-7283	1	x			
	- 4 row	G-7467	1			x	
	- 3 row	G-4333	1		x		x
47	Vent Cap	10801	1	x	x	x	x
ENGR. PARTS LIST PL-2038				x	x		
ENGR. PARTS LIST PL-2201						x	x
PARTS DRAWING IE-9670				x	x	x	x
WIRING DIAGRAM IC-6949				x	x		
WIRING DIAGRAM IC-6988						x	x

X-1989S
Shim Kit



PANEL PARTS LIST

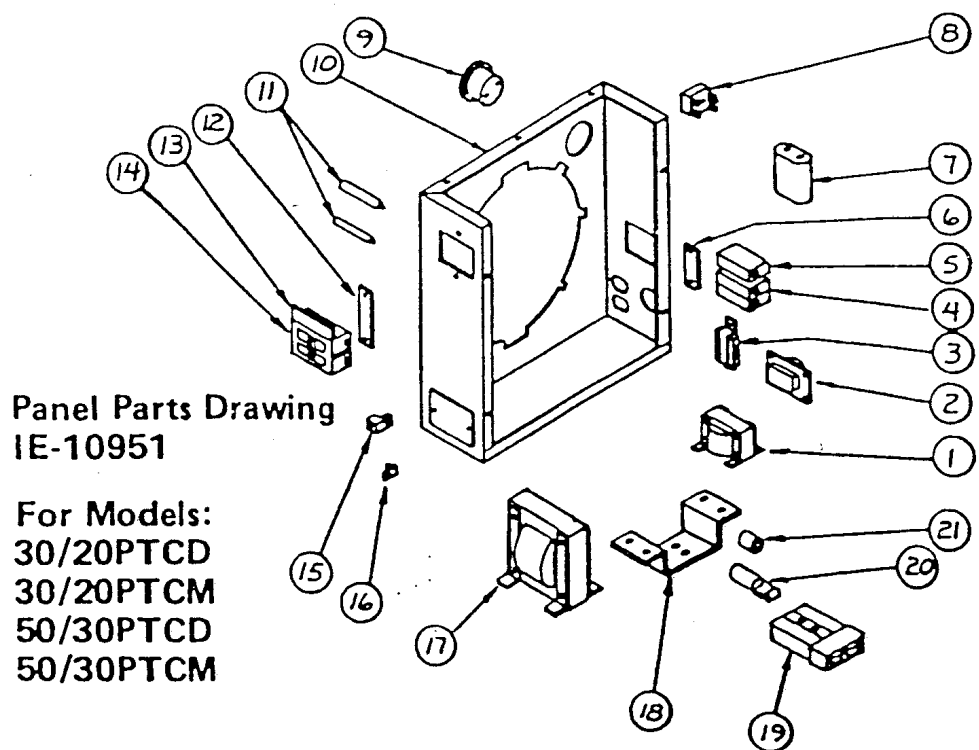
Panel G-5434-38 (30/20PTCD & 30/20PTCM)

Panel G-5434-43 (50/30PTCD & 50/30PTCM)

G-5434-38
(30/20 Models)

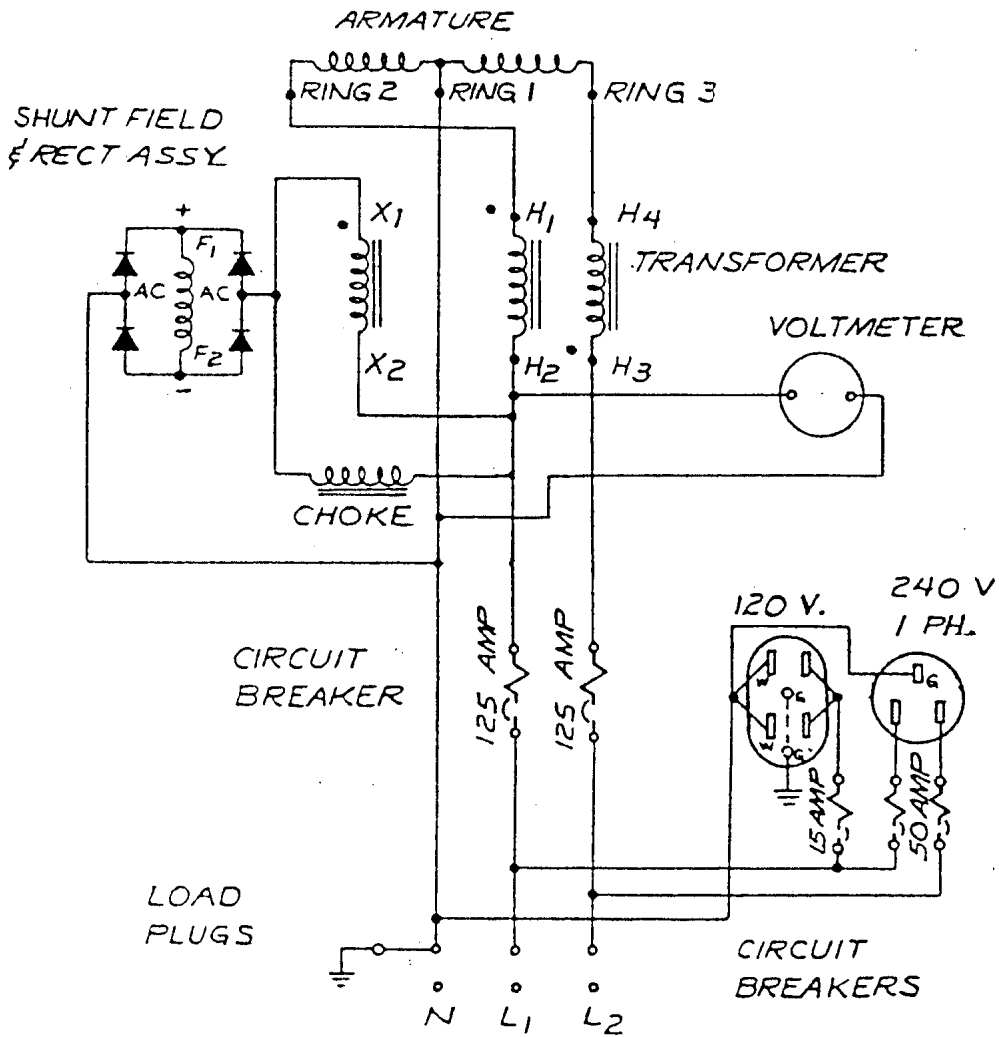
G-5434-43
(50/30 Models)

REF.	DESCRIPTION	PART NO.	REQ'D	G-5434-38 (30/20 Models)	G-5434-43 (50/30 Models)
1	Choke	EE-2056	1		x
		EE-2295	1	x	
2	Receptacle 250 volt	EE-399	1	x	x
3	Receptacle Duplex	EE-323	1	x	x
4	Circuit Breaker 50 Amp	EE-2809-8	1	x	x
5	Circuit Breaker 15 Amp	EE-2813-1	1	x	x
6	Mounting Plate	S-5027-1	1	x	x
7	Capacitor	EE-1539	1	x	
7	Not Applicable				x
8	Rectifier Assembly Shunt	EE-2214	1	x	x
9	Voltmeter	VM-716	1	x	x
10	Panel Weld Assembly	G-5838-30	1	x	x
11	Insulator	W-203	2	x	x
12	Mounting Plate	S-5027-1	1	x	x
13	Filler Plate	EE-779	1	x	x
14	Circuit Breaker	EE-2809-12	1	x	
		EE-2809-14	1		x
15	Ground Lug	EE-1671	1	x	x
16	Tinnerman	4957	7	x	x
17	Transformer	EE-2047	1	x	
		EE-2059	1		x
18	Load Plug Bracket	S-9292	1	x	x
19	2 Pole Load Plug Housing	EE-2327	1	x	x
20	Load Plug Terminal	EE-2328	4	x	x
21	Contact Bushing #4 wire	EE-2330-3	3		x
	#6 wire	EE-2330-6	3	x	
ENGR. PARTS LIST PL-2038				x	
ENGR. PARTS LIST PL-2201					x
PANEL PARTS DRAWING IE-10951				x	x



WIRING DIAGRAM IC-6988 FOR 50/30PTCD & 50/30PTCM

SCHEMATIC WIRING



PICTORIAL WIRING

