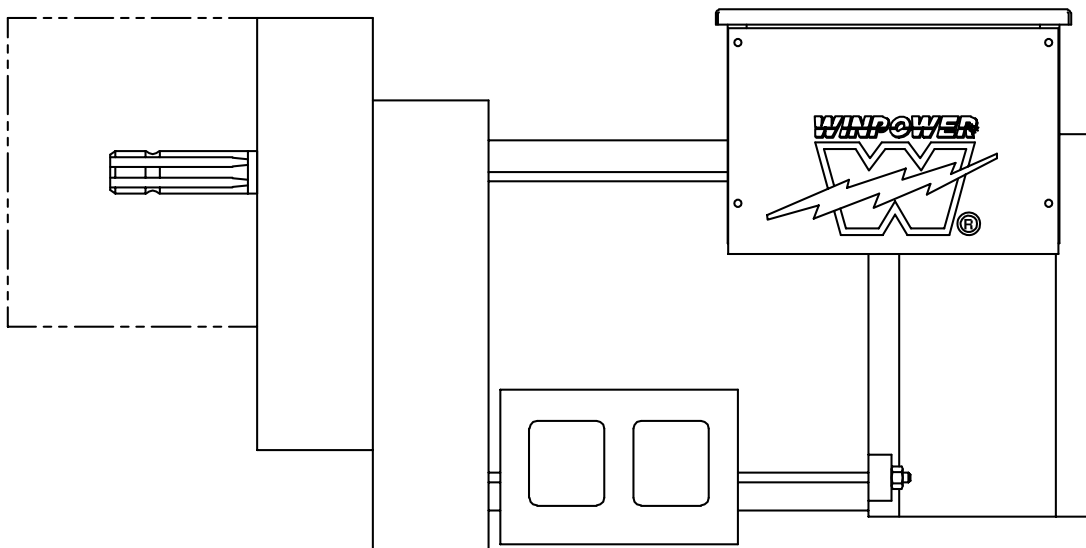


WINPOWER

ILLUSTRATED PARTS LIST

**40/26 PTCDR
(LeRoy Somer)
(GM421M6/60L)**





MAINTENANCE

GEARLEC / TRACTELEC . 27, 38, 70 kVA

4.8 - Tightening torque

4.8.1 - Class 6/8 screws

Screw	M4	M5	M6	M8	M10	M12	M14	M16	M20
Torque : Nm	1,8	3,6	6,2	15,2	24	52	83	130	254

4.8.2 - Class 8/8 screws

Screw	M4	M5	M6	M8	M10	M12	M14	M16	M20
Torque : Nm	2,5	4,8	8,3	20	40	69	110	170	340

4.8.3 - Class 6/8 & 8/8 screws (tightening without pressure or electrical tightening)

Screw	M4	M5	M6	M8	M10	M12	M14	M16	M20
Torque : Nm	1	2,5	4	10	20	35	55	85	170

5 - REPLACEMENT PARTS

5.1 - First maintenance parts

Emergency kits are also available for the gearboxes.

They comprise the following :

Ref	Description	Qty	GT 41.1 - TF.1/TM1 . 27	Code
559	Input wheel bearing	2	6307	-
567	Shaft bearing	1	3308 D	-
558	Lipseal	1	35 x 47 x 7	-
572	Lipseal	1	50 x 65 x 8/10	-

Ref	Description	Qty	GT 42.1 - TF.1/TM1 . 38	Code
559	Input wheel bearing	2	6307	-
567	Shaft bearing	1	22309 CC	-
558	Lipseal	1	35 x 47 x 7	-
572	Lipseal	1	55 x 68 x 8/10	-

Ref	Description	Qty	GT 44.1 - TF.1/TM1 . 70	Code
559	Input wheel bearing	2	6309	-
567	Shaft bearing	1	6411 C3	-
558	Lipseal	1	45 x 62 x 8	-
572	Lipseal	1	70 x 100 x 10	-

5.2 - Technical helpline

Our technical helpline will be able to deal with all your enquiries.

When ordering replacement parts, please indicate the machine type, number and information shown on the nameplate.

Contact :

LEROY-SOMER MOTORS

Usine de Sillac/Alternateurs

16015 ANGOULEME CEDEX - FRANCE

Tel. : (33) 05.45.64.45.64

Helpline : (33) 05.45.64.43.69

Fax : (33) 05.45.64.43.24

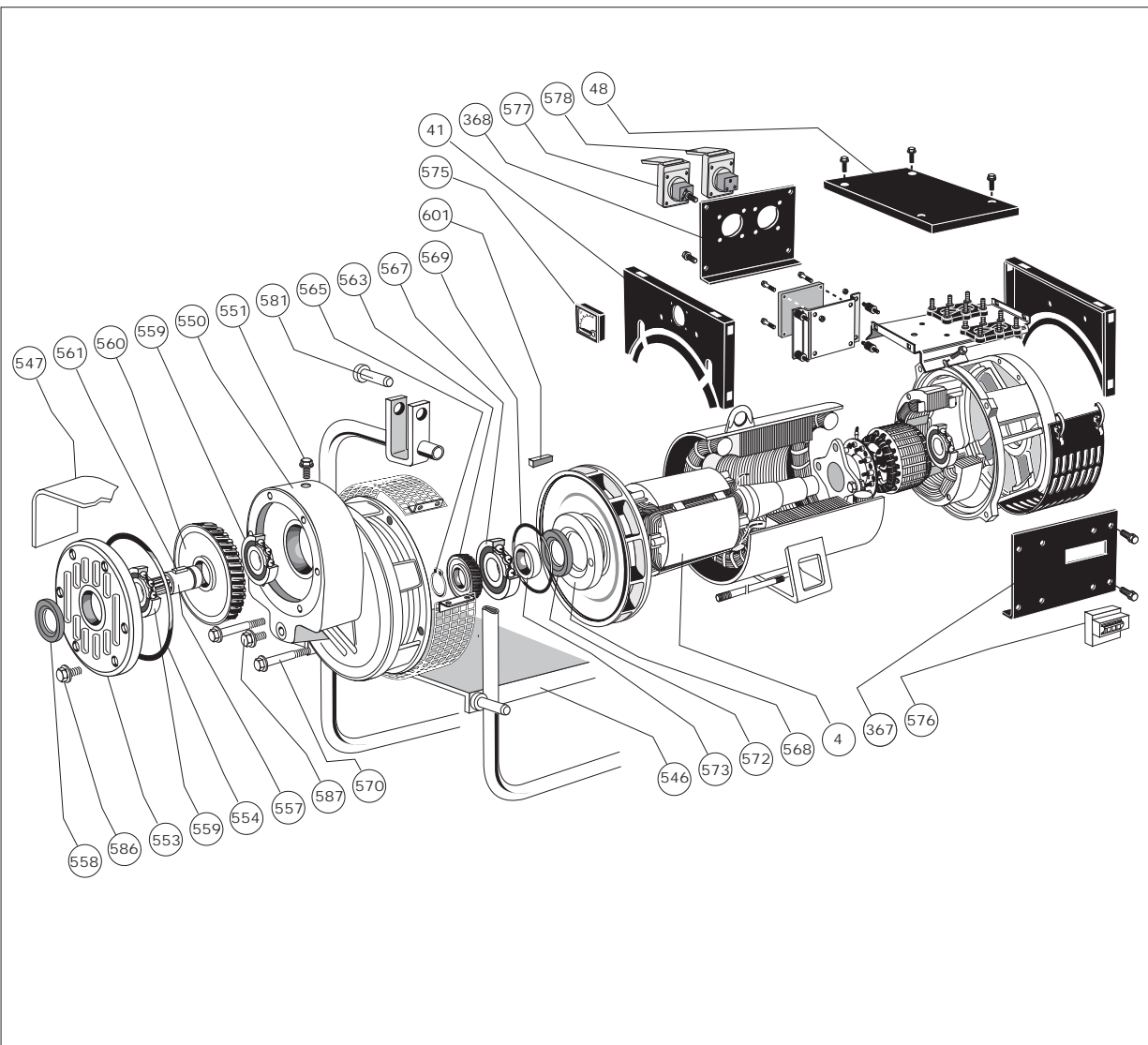
References for the various parts can be found on the exploded views and their description on the nameplate.

Our large network of service centres can supply the necessary parts without delay.

To ensure optimum machine operation and safety, we recommend using original manufacturer replacement parts.

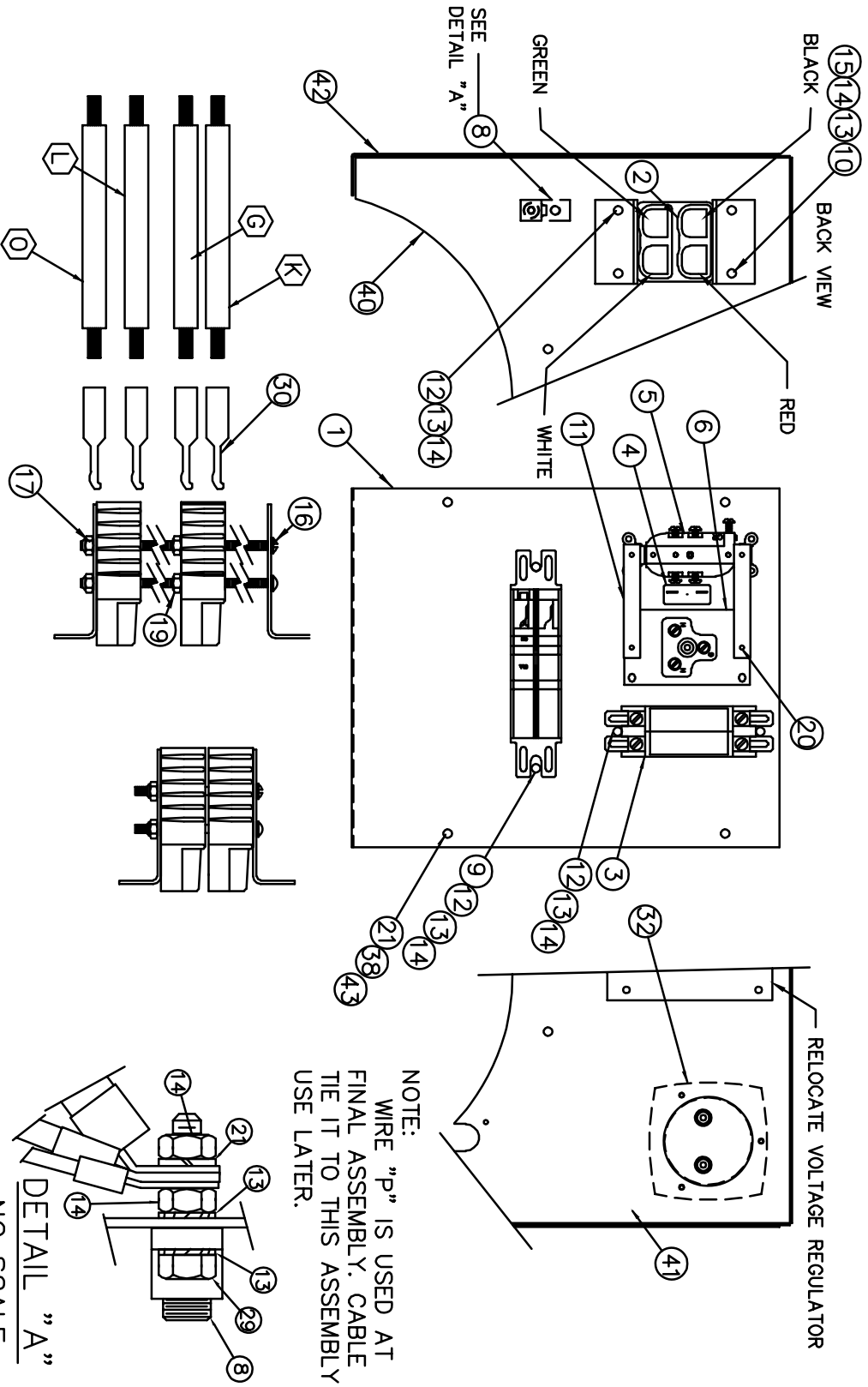
If not, the manufacturer cannot be held responsible for any damage.

5.3 - Exploded view, parts list for GT41.1, 42.1, 44.1 - TF.1/TM.1- 27 - 38 - 70.



Ref.	Qty	Description	Ref.	Qty	Description
4	1	Rotor assembly	554	1	Sealing ring
41	1	Front part	565	1	Internal circlips
48	1	Upper part of cover	567	1	Bearing
367	1	Inspection door, circuit-breaker side	568	1	Inner bearing retainer
368	1	Cover door, socket side	569	1	Sealing ring
546	1	Chassis	572	1	Lipseal
547	1	Universal joint protection	573	1	Ring
550	1	Secondary housing	575	1	Voltmeter
551	1	Breather plug	576	1	Circuit-breaker
553	1	Housing shield	577	1	3-phase socket
557	1	Splined input shaft	578	1	Single phase socket
558	1	Lipseal	581	1	Coupling shaft
559	2	Bearing	586	1	Level screw
560	1	Input wheel	587	1	Drain plug
561	1	Key	601	1	Key
563	1	Pinion			

FRONT PANEL ASSEMBLY



NOTE:
WIRE "P" IS USED AT
FINAL ASSEMBLY. CABLE
TIE IT TO THIS ASSEMBLY
USE LATER.

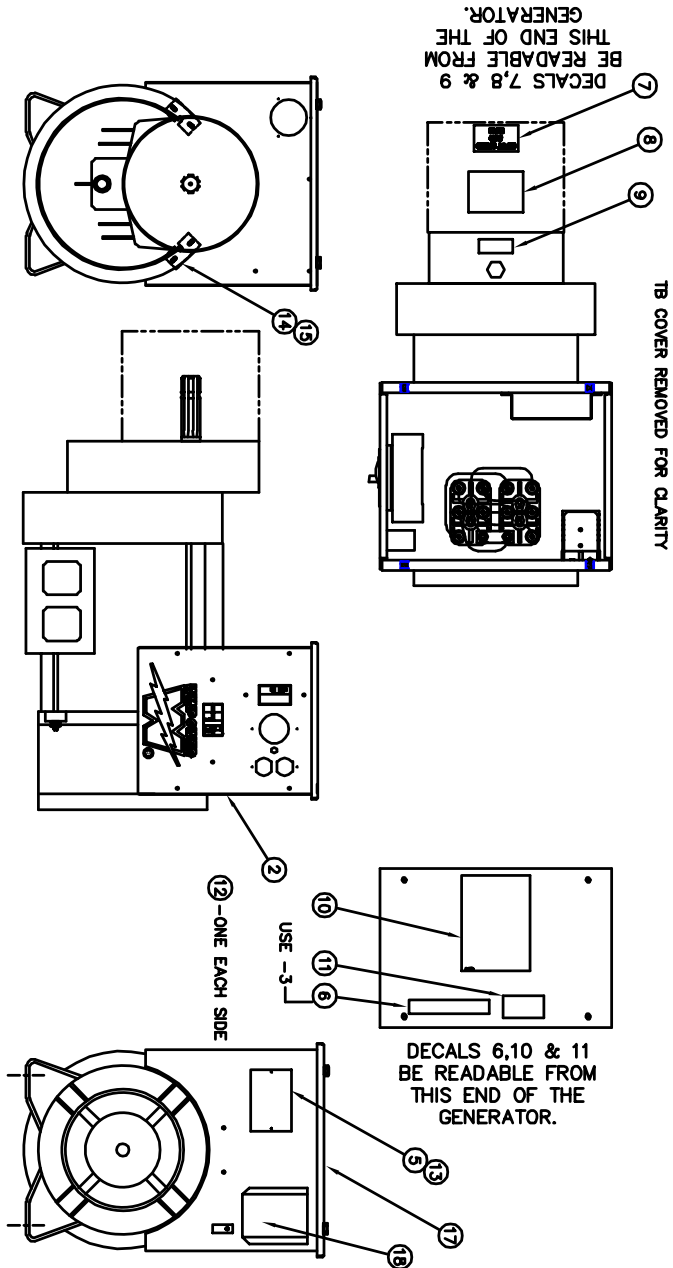
LIGHT ASSEMBLY NOTE: INSTALL 30 (TIPS) ON WIRES G, K, L & O.

FRONT PANEL ASSEMBLY

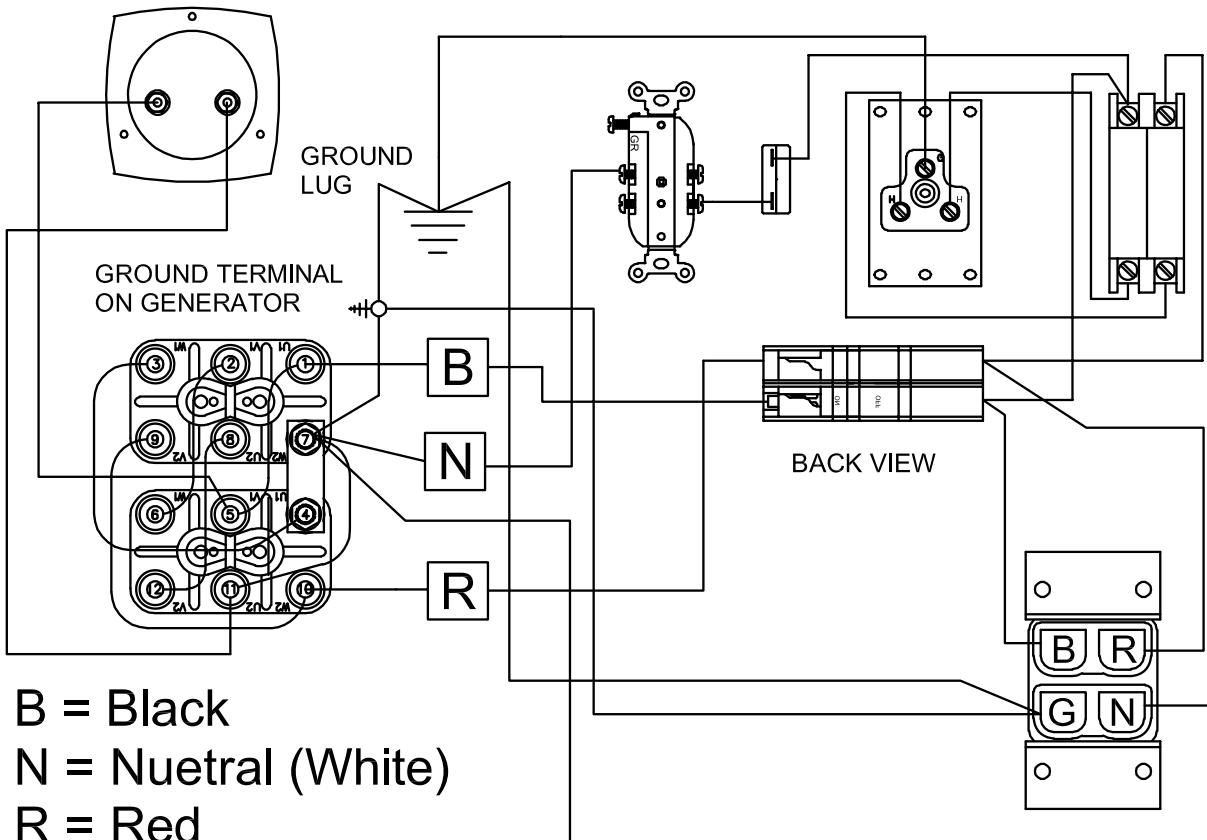
43	466-000	12	HHCS 1/4-20 x 3/4
42	B-300194	1	PANEL, SIDE
41	B-300192	1	PANEL, FRONT
40	B-300191	1	PANEL, REAR
ITEM	PART NO	QUAN.	DESCRIPTION
39	80733-001	1.84FT	TAPE RED
38	A-92495-000	12	RETAINING NUT 1/4-20
37	59320-000	2.75FT	TAPE GREEN
36	80733-000	.92 FT	TAPE WHITE
35	64638-000	1.59FT	LEAD WIRE #10 GREEN
34	13459-000	2.00FT	LEAD WIRE #18 RED
33	81963-001	2	LUG
32	A-300102	1	FREQUENCY METER
31	91280-000	4	LUG
30	EE-2328-3	4	TIPS, 175 AMP x #6
29	439-000	1	HHCS, 1/4-20 x 1
28	91535-000	9.13FT	LEAD WIRE #6 BLK
27	91779-000	3.38FT	LEAD WIRE #10 BLK
26	10468-000	1.69FT	LEAD WIRE #16 BLK
25	91540-000	4	LUG
24	48602-003	2	LUG
23	21850-002	2	LUG
22	4155-000	1	LUG
21	479-000	17	LW, 1/4
20	21698-001	4	#10 SHEET METAL SCREW
19	458-000	2	HN 5/16-18 (USED AS SPACER)
18	91457-002	3	LUG
17	47517-000	2	LOCK NUT
16	A-61993-001	2	RHMS 1/4-20 x 3 1/2
15	A-94980-001	2	THREDSTUD; 1/4-20 x 5/8
14	638-000	9	HN 1/4-20
13	4516-000	10	LW, 1/4
12	463-000	6	HHCS, 1/4-20 x 1/2
11	B-64045-002	2	STRIP, MOUNTING
10	A-300117	2	SUPPORT, CONNECTOR
9	A-58805-004	1	CIRCUIT BREAKER (100 AMP, 2 POLE)
8	A-63708	1	TERMINAL LUG
7	(A)G-7213-1	1	COVER ASSEMBLY (NOT SHOWN)
6	A-57325-000	1	RECEPTACLE, 50 AMP, 250 VOLT
5	A-50766-000	1	RECEPTACLE, 20A, 125 VOLT
4	A-91286-001	1	CB, 20 AMP, 1P
3	A-57030-000	1	CB, 50 AMP, 2P
2	EE-2327	2	HOUSING, 175 AMP
1	B-300193	1	PANEL, SIDE RECEPTACLE
ITEM	PART NO	QUAN.	DESCRIPTION

GENERATOR ASSEMBLY

22	1744-000	2	1/2-13 NUT
21	21867-000	2	WASHER
20	61803-001	2	CARRIAGE BOLT
19	240032280	1	WARRANTY REG. CARD
18	Z-2527	1	DECAL
17	A-300195	1	COVER
16	A-30010-2	2	SPACER, PTO (SHIP LOOSE)
15	A-21698-001	4	SELF TAP SCREW
14	A-300196	2	PANEL, COVER
13	(A)BP-10097	1	BAG, PARTS (SHIP LOOSE)
12	Z-2508-1	2	DECAL, WINDPOWER
11	Z-2516	1	DECAL, WARNING
10	Z-2553	1	DECAL, DANGER
9	Z-9941	1	DECAL, OIL
8	Z-2568	1	DECAL, DANGER
7	B-91569-000	1	LABEL, SHAFT SPEED (840 RPM)
6	B-15209-000	1	DECAL SET
5	63966-003	1	NAMEPLATE KIT
4	A-100,094-513	1	BAG 36X26X40
3	A-100,046-504	1	CARTON
2	B-300190	1	ASSEMBLY, TERMINAL BOX
1	B-300185	1	ORDERING SPEC, 28 KW PTO GENERATOR



WIRING DIAGRAM



B = Black
 N = Neutral (White)
 R = Red
 G = Ground (Green)

LEROY SOMER NORTH AMERICA
 DIVISION EMERSON INDUSTRIAL AUTOMATION
 PH: 731-967-4709
 FAX: 731-967-3114
www.leroy-somer.com

WINPOWER

225 S. CORDOVA AVE.
 LECENTER, MN 56057
 507-357-6821
 SERVICE DEPT.
 507-357-6831