

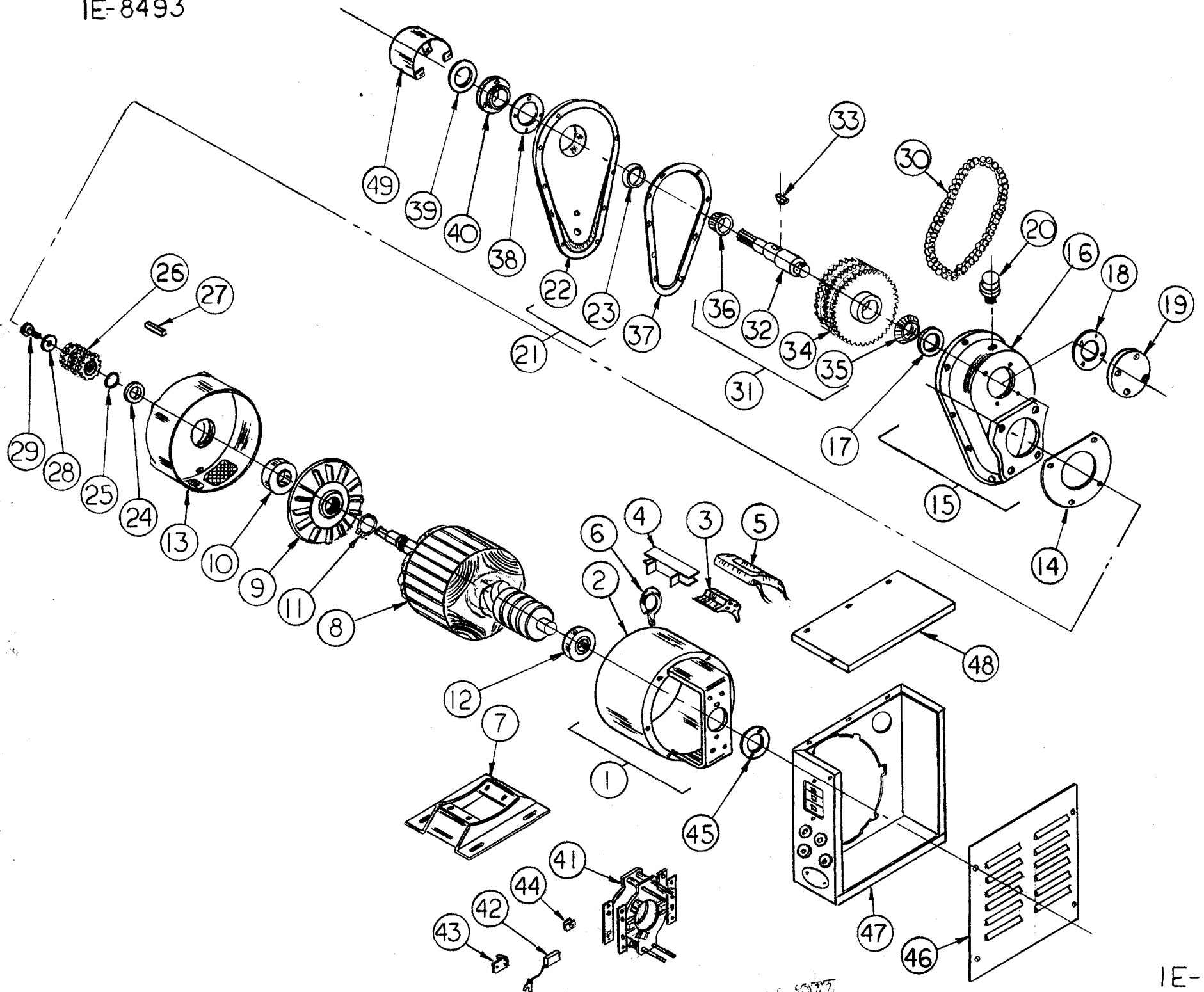
PARTS LIST  
TRACTOR DRIVEN ALTERNATOR  
35/20 PT3J

<u>FIND NO.</u>	<u>PART NO.</u>	<u>DESCRIPTION</u>	<u>REQ'D/UNIT</u>
1	G-5432-10	Field Frame Assy.	1
2	G-5431	Field Frame	1
3	G-5037	Field Pole	4
4	J-514	Coil Shield	8
5	H-1032-1	Field Coil	Set of 4
6	S0859	Lift Ring	1
7	G-2524	Base Assy	1
8	G-4766-36	Armature Assy	1
9	I-861	Fan	1
10	D-3	Bearing - Drive End	1
11	11115	Retaining Ring	1
12	D-8	Bearing - Ring End	1
13	I-686-4	Drive End Bell	1
14	X-177	Gasket	1
15	G-3572-1	Gear Case Housing Assy	1
16	I0-767	Housing	1
17	D-10-1	Bearing Cup	1
18	X-178	Gasket	1
19	I0-770	End Plate	1
20	10800	Vent - Oil Fill	1
21	G-3573-1	Gear Case Cover Assy	1
22	I0-768	Cover	1
23	D-9-1	Bearing Cup	1
24	TE-888	Oil Seal	1
25	S-6289-9	Shim	AR
26	S-6350	Sprocket	1
27	S-5640-1	Key	1
28	1207	Washer	1
29	11320-2	Screw	1
30	G-4333	Drive Chain	1
31	G-4327-2	Drive Shaft Assy	1
32	N-457	Shaft	1
33	1210	Woodruff Key	1
34	S-6354	Sprocket	1
35	D-10	Bearing Cone	1
36	D-9	Bearing Cone	1
37	X-180	Gasket	1
38	X-179	Gasket	2
39	TE-901	Oil Seal	1
40	I0-769	Retainer Plate	1
41	G-5430	Brush Gear Assy	1
42	Y-51	Brush	12
43	G-3422	Brush Spring	12
44	4996	Tinnerman	8

PARTS LIST  
TRACTOR DRIVEN ALTERNATOR  
#35/20 PT3J

<u>FIND NO</u>	<u>PART NO.</u>	<u>DESCRIPTION</u>	<u>REQ'D/UNIT</u>
45	W-43	Bearing Retainer	1
46	G-5184-1	Panel Front Assy	1
47	G-5434-5	Panel Back Assy (See Separate Drawing)	1
48	S-6927	Top Cover	1
49	G-4770	Guard - PTO	1

Wiring Diagram Z-1962, E-7701  
Parts Drawing E-8493



PARTS LIST  
 PANEL BACK ASSY

PL-01020

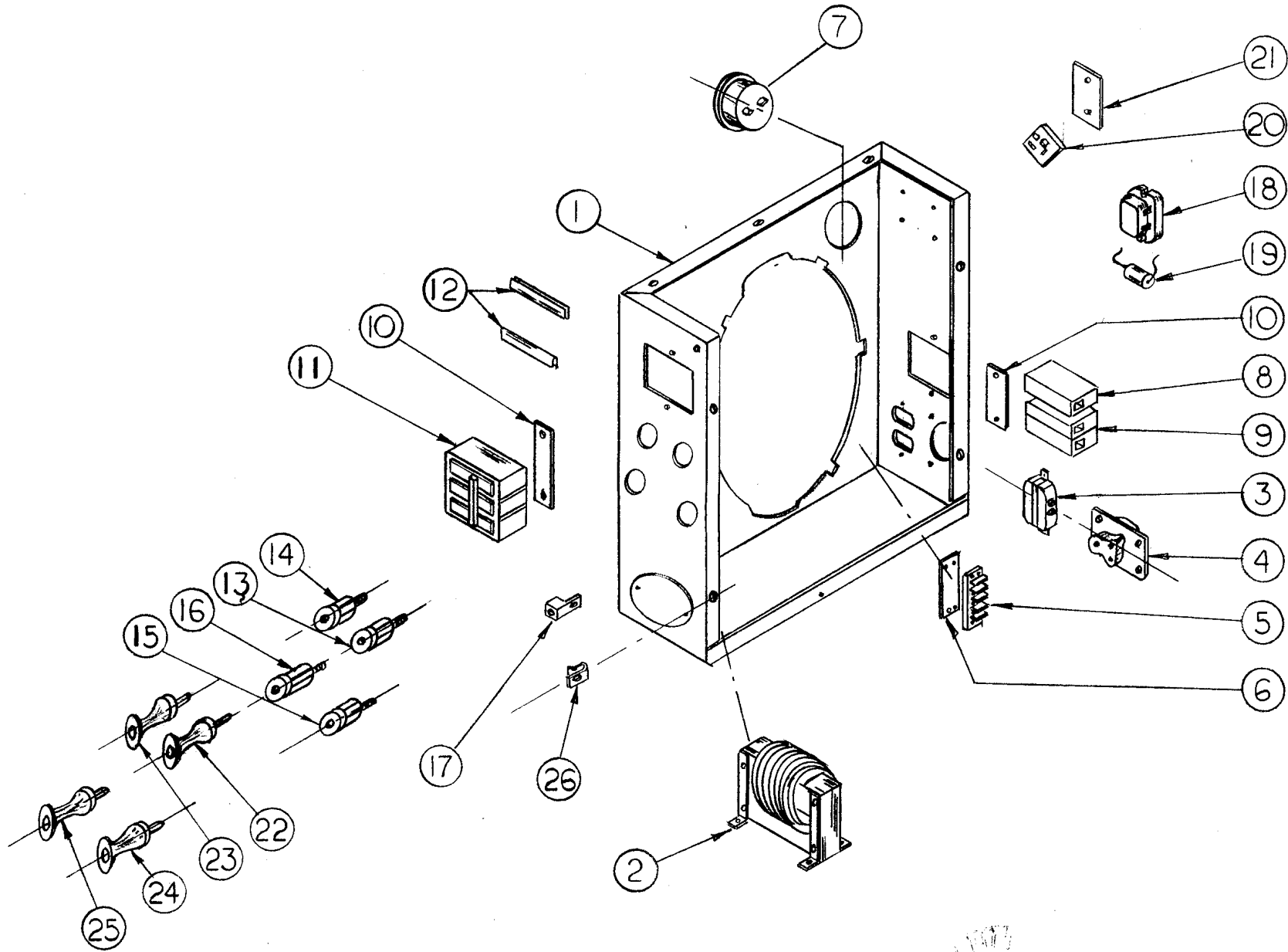
G-5434-5

(35/20 PT3J)

<u>FIND NO.</u>	<u>PART NO.</u>	<u>DESCRIPTION</u>	<u>REQ/UNIT</u>
1.	G-5838-2	Panel Weld Assy	1
2.	EE-1963	Transformer	1
3.	EE-323	Receptacle - Duplex	1
4.	EE-303	Receptacle - 250V	1
5.	EE-654	Terminal Board	1
6.	EE-654-2	Insulator	1
7.	VM-716	Voltmeter	1
8.	EE 2813-1	Circuit Breaker	1
9.	EE 28098S	Circuit Breaker	1
10.	S-5027-1	Mounting Plate	2
11.	EE-1838	Circuit Breaker	1
12.	W-203	Insulator	2
13.	EE-1339	Receptacle - Black	1
14.	EE-1341	Receptacle - White	1
15.	EE-1348	Receptacle - Red	1
16.	EE-1347	Receptacle - Yellow	1
17.	EE-1671	Ground Lug	1
18.	EE-2214	Rectifier Assy Series	1
19.	OBS.	Thyrector - Series Fld	1
20.	EE-2214	Rectifier assy - Shunt	1
21.	A-786	Heat Sink	1
22.	EE-1340	Plug - Black	1
23.	EE-1342	Plug - White	1
24.	EE-1346	Plug - Red	1
25.	EE-1345	Plug - Yellow	1
26.	4957	Tinnerman	7

Wiring Diagram E-7701

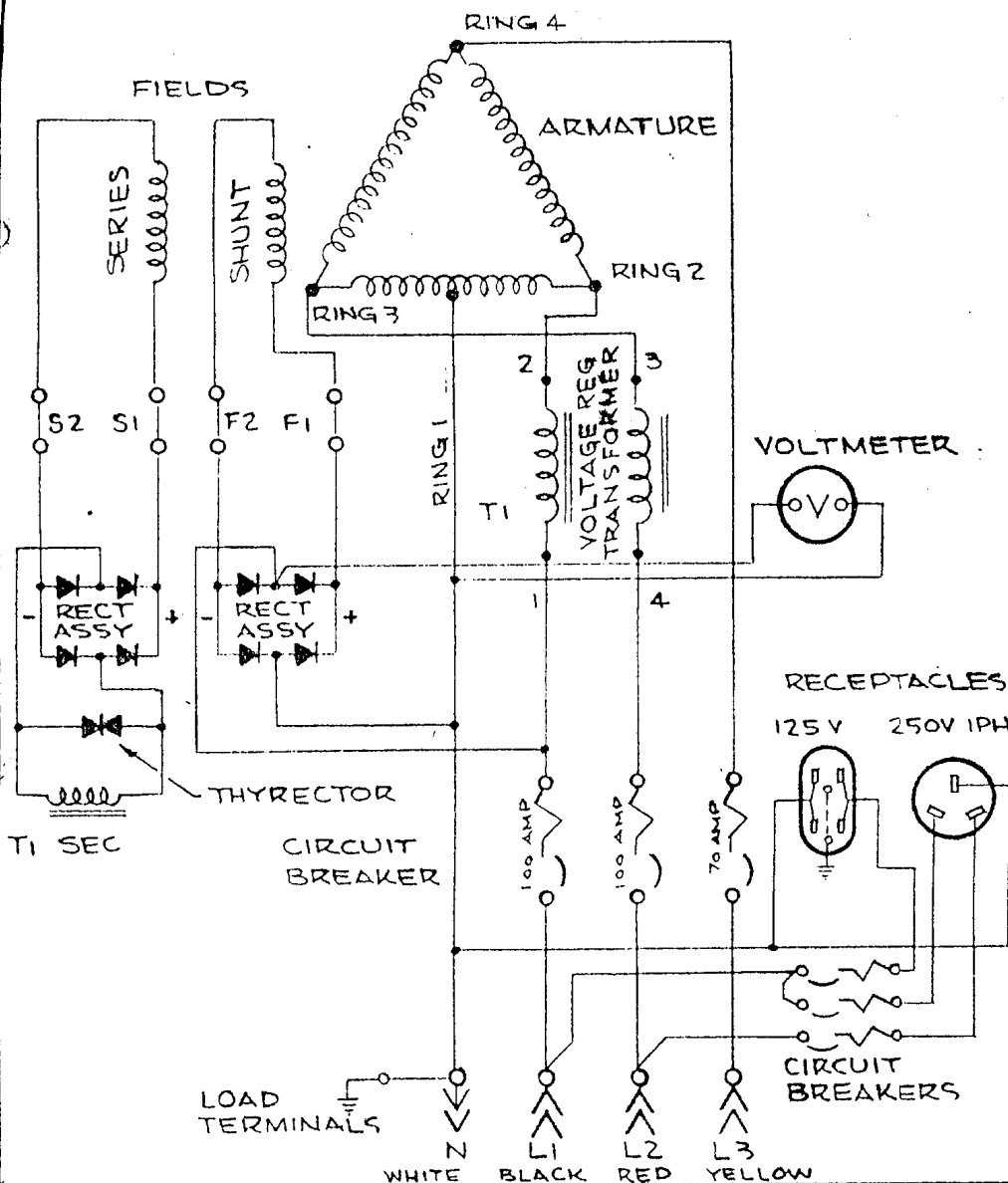
Parts Drawing E-8495



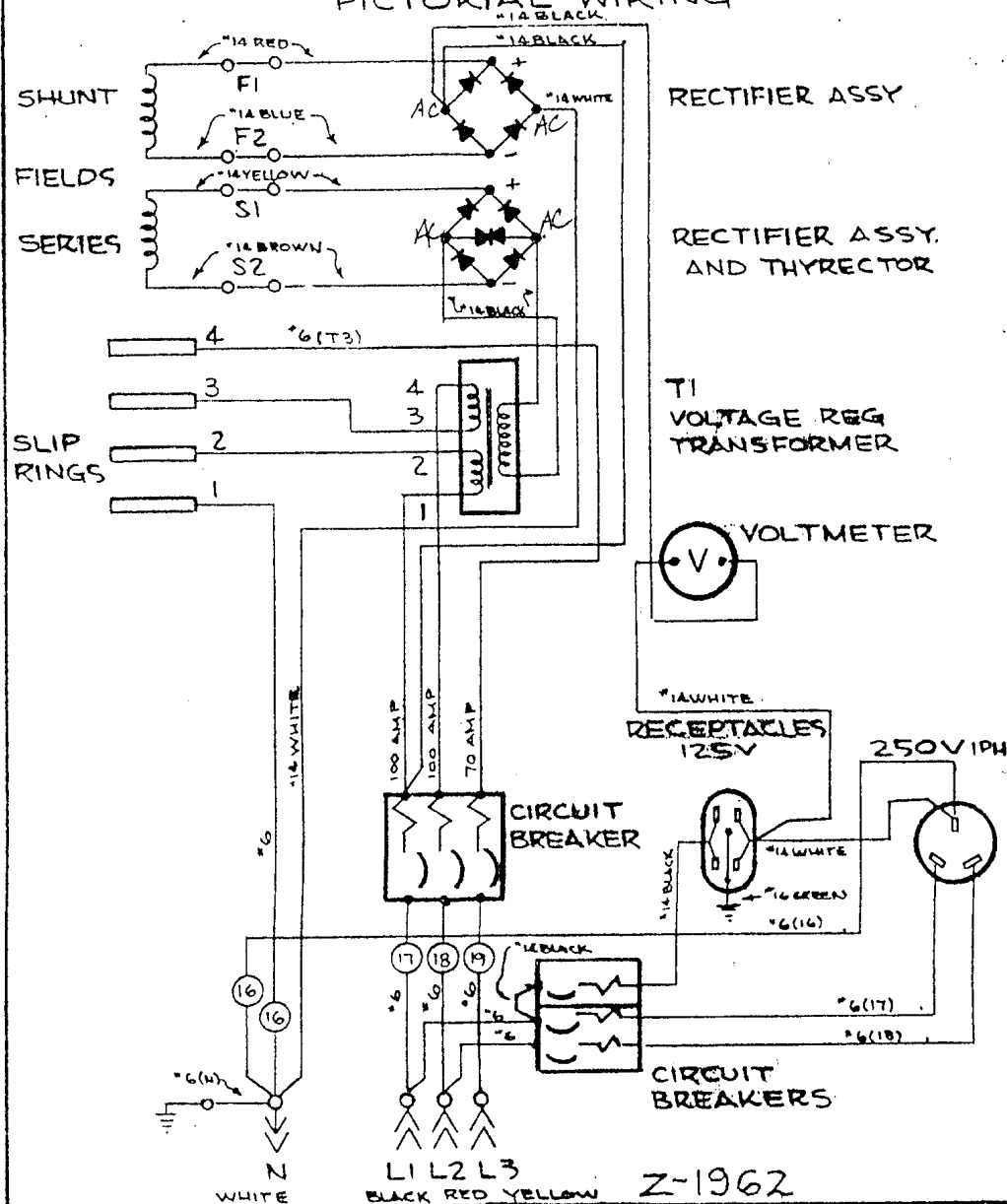
JUN 27 19

# IE 7701

## SCHEMATIC WIRING



## PICTORIAL WIRING



C	SHUNT SHUNT	8-26-70	T.C.G.	
B	REVISED COLOR CODE	7-29-70	J. P. V.	
A	REPRASNT	12-19-68	T.C.G.	
CHANGE	WAS ORIGINALLY	DATE	CHK'D	CHG. REQUEST
TOLERANCE ON DIMENSIONS NOT OTHERWISE SPECIFIED		DECIMAL ±	FRACTIONAL ±	ANGULAR ±
		REMOVE ALL BURRS BREAK ALL SHARP MACHINED EDGES		
		MATERIAL _____		

NO. REQ'D. _____		MICROFILM DATA _____	
JUL 25 1977		JUL 25 1977	

WIRING DIAGRAM	
SCALE ~	MODEL NO. 35/20 PT3J
DATE 12-19-68	PART NO. IE-7701
DWN T.C.G.	CHK'D _____
WINPOWER MFG. CO. NEWTON, IOWA	