

35/20PT2
PARTS LIST

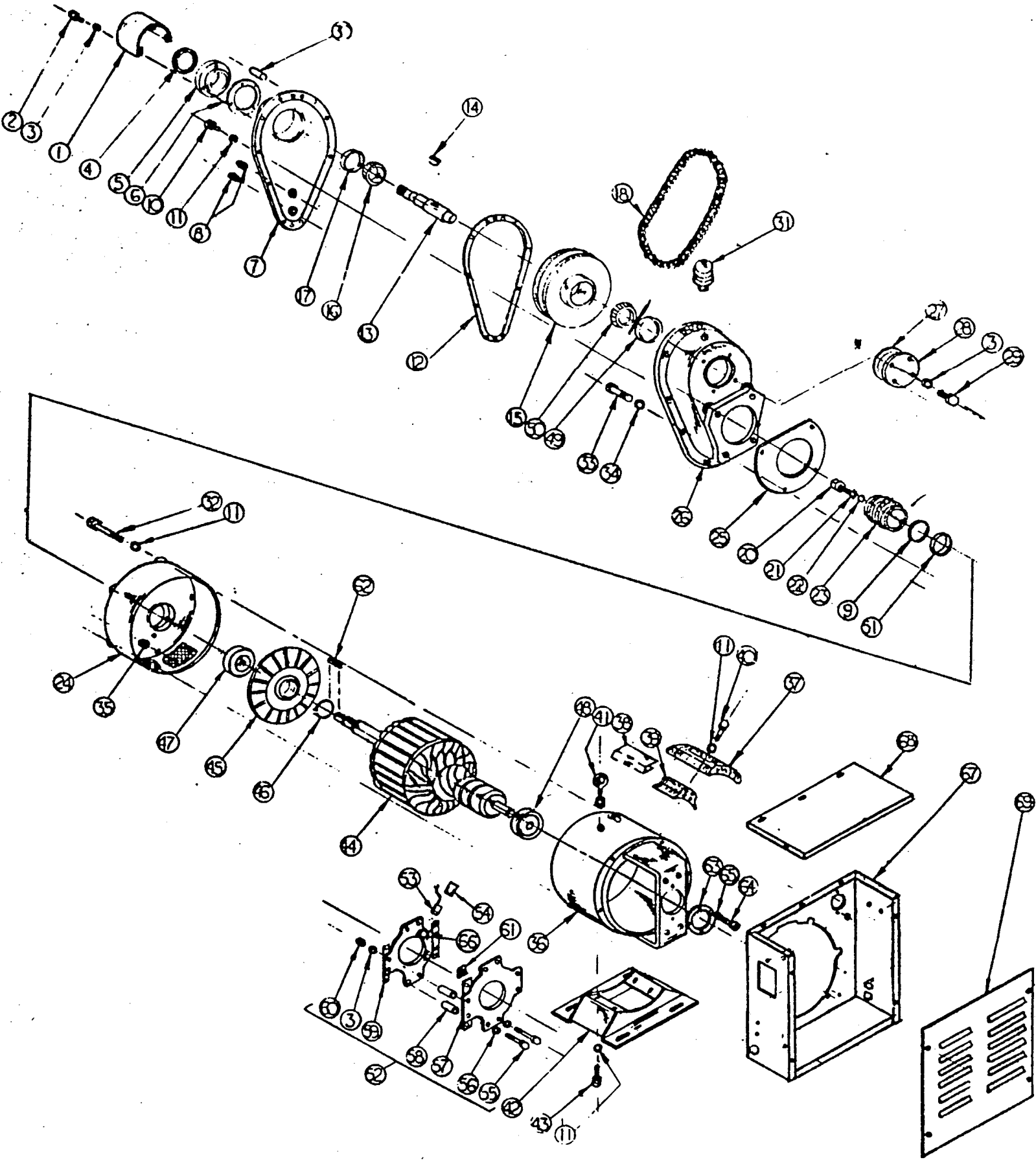
<u>Ref. No.</u>	<u>Part No.</u>	<u>Description</u>	<u>No. Req'd</u>
1	G-4770	P.T.O. Guard	1
2	3544	Screw 5/16-18 x 1 Lg.	4
3	1115	Washer 5/16 Int. T.T.	8
4	TE-901	Grease Seal	1
5	IO-769	Retainer Plate	1
6	X-179	Gasket	3
7	IO-768	Gear Housing	1
8	9502	Pipe Plug 1/4"	2
9	As req'd	Shim	1
10	3578.03	Screw 3/8-16 x 1 Lg.	10
11	1144	Washer 3/8 Int. T.T.	31
12	X-180	Gasket	1
13	N-457	Shaft	1
14	1210	Woodruff Key	1
15	S-6354	Sprocket, 50 Teeth Triple Row	1
16	D-9	Bearing Cone	1
17	D-9-1	Bearing Cup	1
18	G-4333	Drive Chain	1
19			
20	3524	Screw 1/4-20 x 3/4	1
21	1114	Washer 1/4 Int. T.T.	1
22	1207	Washer - Flat Retaining	1
23	S-6350-1	Sprocket	1
24	I-686-4	End Bell	1
25	X-177	Gasket	1
26	IO-767	Gear Housing	1
27	X-178	Gasket	1
28	IO-770	End Plate	1
29	3542	Screw 5/16-18 x 3/4	4
30	P-20	Dowel Pin	2
31	10800	Vent Oil Fill	1
32	3599	Screw 3/8-16 x 4	5
33	3614	Screw 7/16-14 x 2	4
34	1600	Washer 7/16 Copper	2
35	5811	Locknut 7/16-14	4
36	G-5431	Field Frame "Weld Assembly"	1
37	H-1025-1	Field Coils	Set of 4
38	J-514	Coil Shield	8
39	G-5037	Field Pole Assembly	Set of 4
40	3582	Screw 3/8-16 x 1-1/2	12
41	S-859	Lift Eye	1
42	G-2524	Base Assembly	1
43	3576	Screw 3/8-16 x 3/4	4
44	G-4766-22	Armature Assembly	1
45	I-861	Fan	1
46	11115	Retaining Ring	1
47	D-3	Bearing	1
48	D-8	Bearing	1
49	D-10-1	Bearing Cup	1
50	D-10	Bearing Cone	1

35/20PT2
PARTS LIST

<u>Ref. No.</u>	<u>Part No.</u>	<u>Description</u>	<u>No. Req'd</u>
51	TE-888	Grease Seal	1
52	G-5430-1	Brush Gear Assembly Comp.	1
53	Y-51	Brush	8
54	G-3422	Spring	8
55	S-6423	Screw	4
56	1115	Washer	8
57	JJ-13106	Brush Ring	4
58	S-6305-2	Spacer	4
59	B-704	Shunt	4
60	4611	Nut	4
61	4996	Tinnerman	6
62	S-6166	Key	1
63	1207	Bearing Retainer	1
64	2185	Screw 1/4-20 x 1/2	2
65	1114	Washer 1/4 Int. TT	5
66	BB-46102	Brushholder	8
67	G-5123-6	Panel "Weld" Assembly	1
68	S-5968	Panel Cover Top	1
69	G-5184-1	Panel Cover Assembly	1

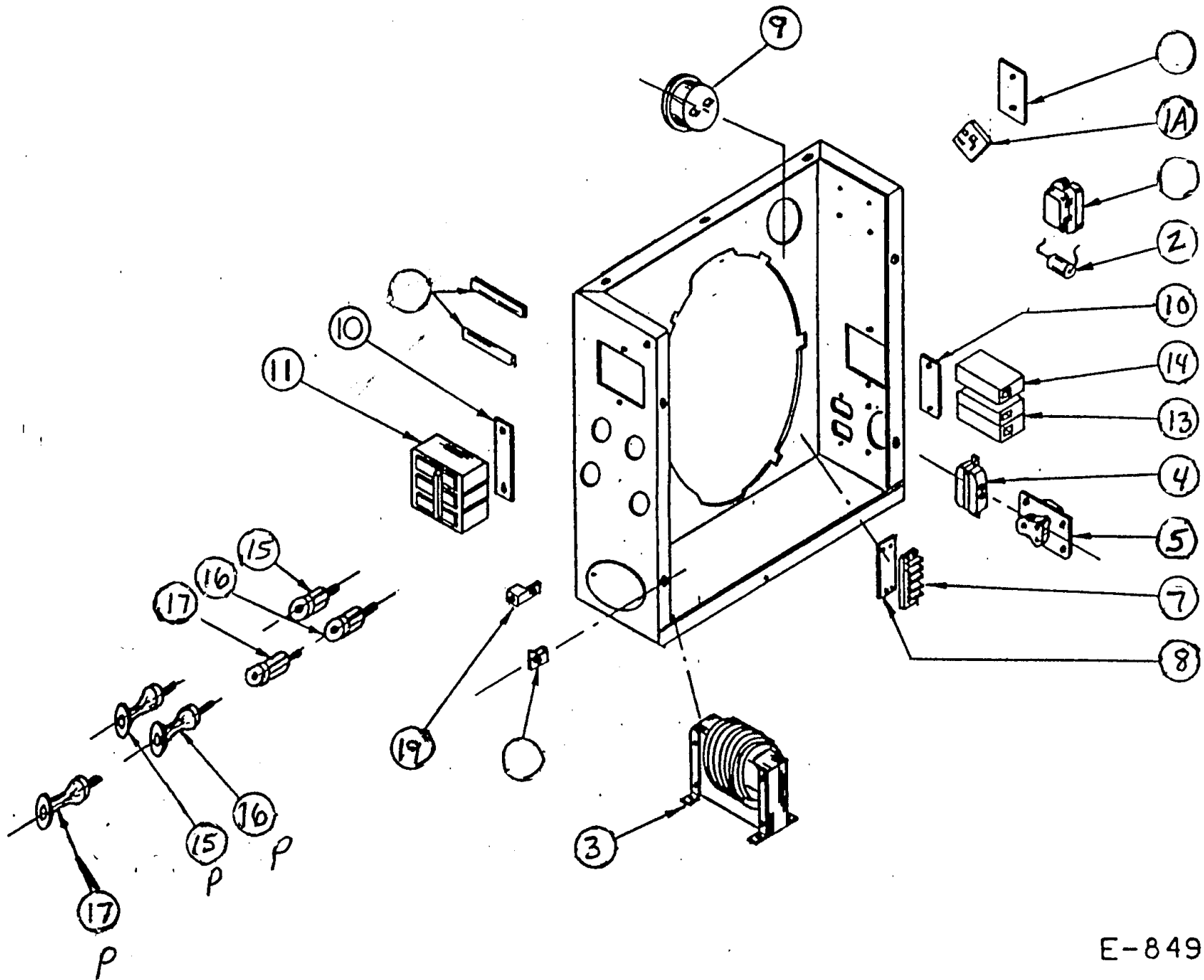
Wiring Diagram

Z-1841 E-7336

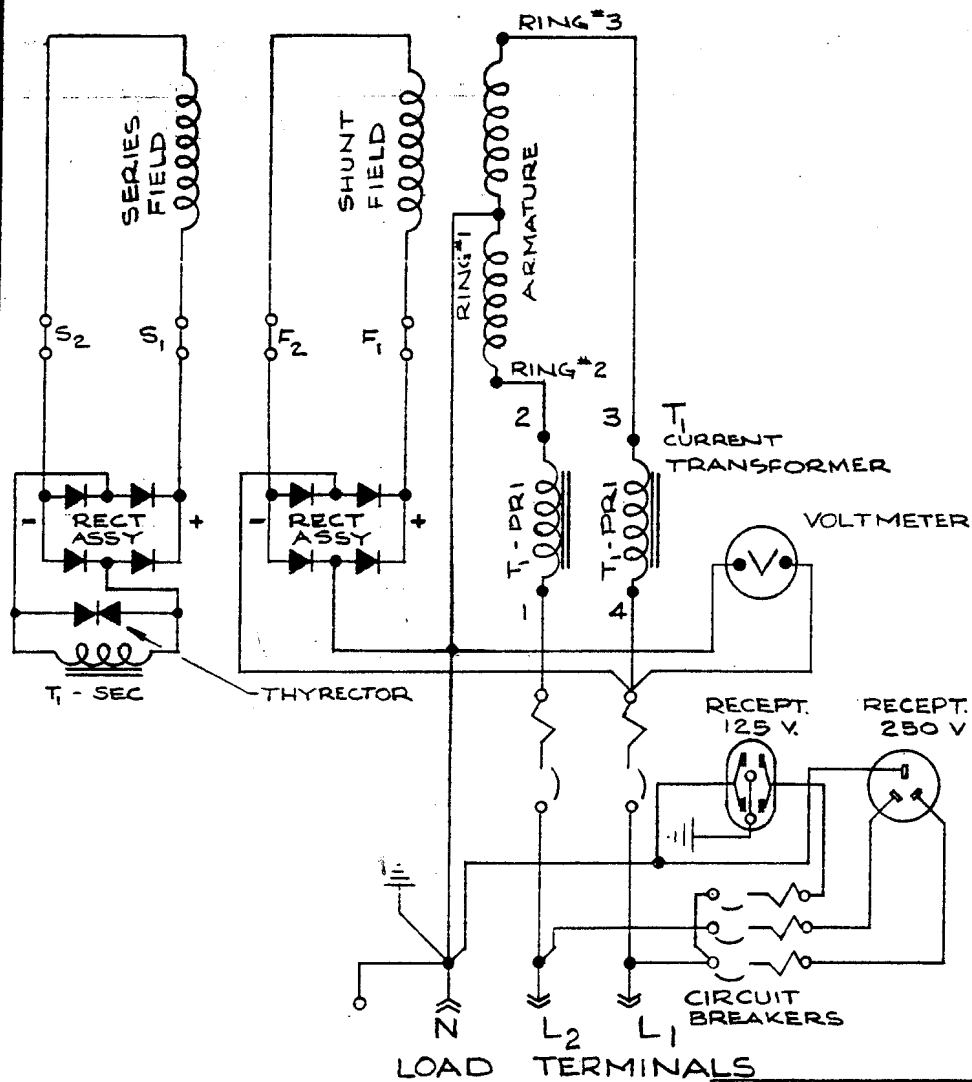


35/20PT2
 PANEL PART LIST
 E8495A

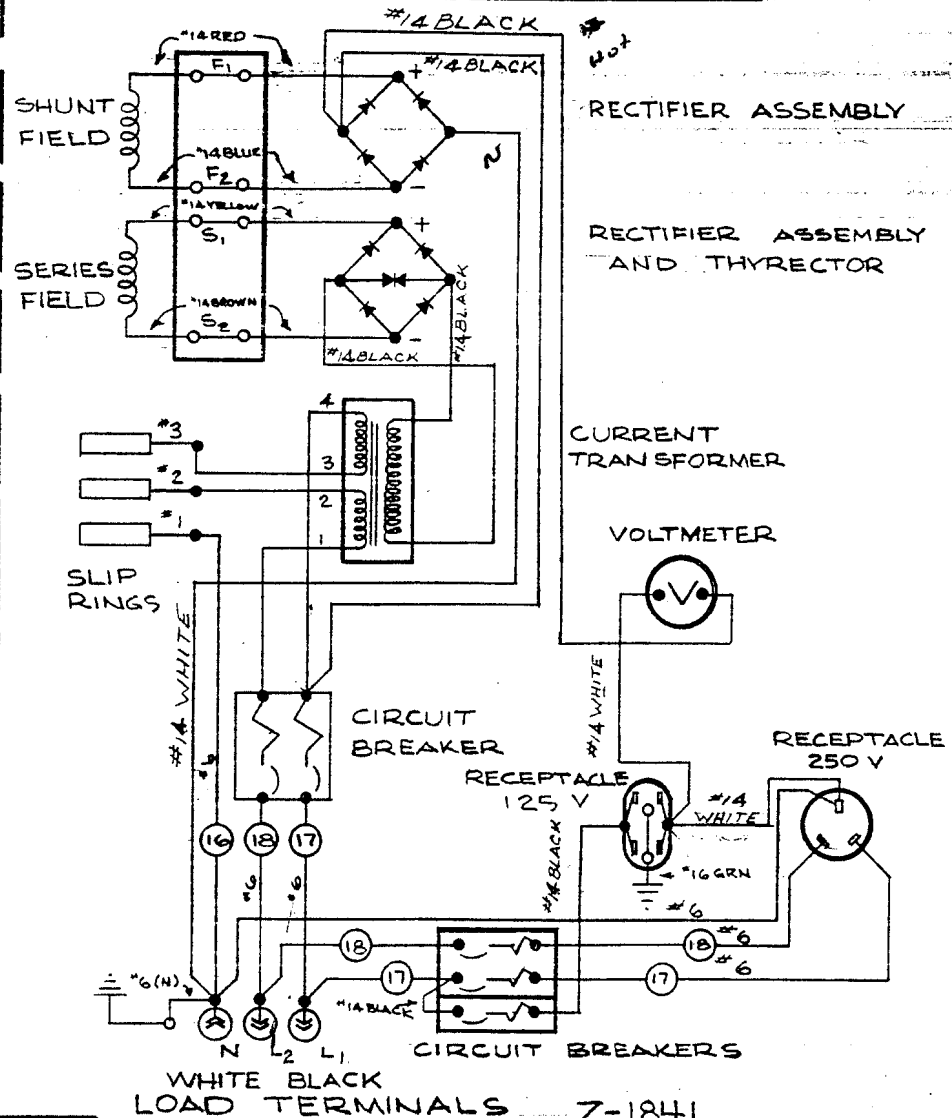
<u>Ref. No.</u>	<u>Part No.</u>	<u>Description</u>	<u>Req'd</u>
1	EE-2177	Rectifier Assembly Shunt	1
1A	EE 2214	Rectifier	1
2	OBS	Thyrector	1
	J-189	Clamp	1
	2047	Screw #8-32 x 3/4	2
	2049	Screw #8-32 x 1	1
	5802	Nut #8-32	3
3	EE-1963	Transformer	1
	1040	Washer #10 Brass	4
	2086	Screw #10-24 x 5/8 R.H.M.S.	4
	5803	Nut #10-24	4
4	EE-323	Duplex Receptacle	1
5	EE-3031	Receptacle	1
6	Z-1045-5	Nameplate-120 Volt	1
7	EE-654	Terminal Strip	1
8	EE-654-2	Terminal Insulator	1
	2007	Screw #6-32 x 3/4	2
	5801	Nut #6-32	2
9	VM716	Voltmeter (Enlarge hole)	1
	5801	Nut #6-32	2
10	Z-1045-1	Nameplate	1
11	EE 280913S	Circuit Breaker 100 Amp	1
	EE-779	Filler Plate	1
	2086	Screw #10-24 x 5/8	3
	5803	Nut #10-24	3
	2100-1	Screw #10-24 x 2-3/4	2
	5803	Nut #10-24	2
12	S-5027-1	Mounting Plate	2
13	EE-1805	Circuit Breaker 50 Amp	1
	2100-1	Screw #10-24 x 2-3/4	2
	5803	Nut #10-24	2
14	EE-1830	Circuit Breaker	1
	2083	Screw #10-24 x 3/8 R.H.M.S.	1
	5803	Nut #10-24	1
15	EE-1339	Receptacle - Black	1
P	EE-1340	Plug	1
	1115	Washer 5/16 Int. T.T.	1
16	EE-1341	Receptacle - White	1
P	EE-1342	Plug	1
	1115	Washer 5/16 Int. T.T.	1
17	EE-1348	Receptacle - Red	1
P	EE-1346	Plug	1
	1115	Washer 5/16 Int. T.T.	1
18	EE-1347	Receptacle - Yellow	1
	EE-1345	Plug	1
	1115	Washer 5/16 Int. T.T.	1
19	EE-1671	Ground Lug	1
20	Z-711-2	Nameplate-Ground	1
	11324	Screw 1/4-20 x 1-1/4	1
	5805	Nut 1/4-20	2
	1033	Washer Brass 1/4	1
	6218	Plug Button 1/2 Hole	1
	6217	Plug Button 3/8 Hole	2



SCHMATIC WIRING



PICTORIAL WIRING



B	REVISED COLOR CODE	5-8-68	R.L.T.		E	REVISED COVER CODE	8-26-70	T.G.
A	ADDED COLOR CODE	11-22-67	R.L.T.		D	REVISED COVER CODE	7-31-70	JFP
CHANGE	WAS ORIGINALLY	DATE	CHK'D	CHG. REQUEST	C	APP LINE	1-23-70	JFP
TOLERANCE ON DIMENSIONS NOT OTHERWISE SPECIFIED				DECIMAL ±	NO. REQ'D.			
				FRACTIONAL ±	MICROFILM DATA			
				ANGULAR ±	JUL 10 1967			
REMOVE ALL BURRS BREAK ALL SHARP MACHINED EDGES				MATERIAL				

WIRING DIAGRAM	
SCALE ~	MODEL NO.
DATE 2-22-67	PART NO. IE-7336
DWN ME	CHK'D
WINPOWER MFG. CO. NEWTON, IOWA	