

PARTS LIST  
TRACTOR DRIVEN ALTERNATOR  
25/15PT3J  
25/15PTJD TYPE 1

<u>FIND NO.</u>	<u>PART NO.</u>	<u>DESCRIPTION</u>	<u>REQ/UNIT</u>
1	G-4776-12	Field Frame Assy	1
2	G-6361	Field Frame	1
3	G-4777-1	Field Pole	4
4	J-528-1	Coil Shield	8
5	H-1095	Field Coil	4
6			
7			
8	G-4766-60	Armature Assy	1
9	G-5878-1	Fan Assy	1
10		Not Applicable	
11	S-7019	Washer	1
12	D-3	Bearing - DE	1
13	TE-888	Grease	1
14	S-1764-2	Sprocket - Lower - 2 Row	1
15	1211	Washer	1
16	11508	Screw	1
17	S-7467-6	Key Sprocket	1
18	D-8	Bearing - Slip Ring End	1
19	W-43	Bearing Retainer	1
20	G-5459	Brush Gear Assy	1
21	4996	Tinnerman	8
22	Y-51	Brush	8
23	G-3422	Brush Spring	8
24	G-5434-12	Panel Back Assy	1
25	G-7231	Panel Front Assy	1
26	S-7623-2	Panel Top Cover	1
27	S-7061	Spring	1
28	S-7037	Wrapper	1
29	G-5922	Gear Case Housing Assy	1
30	I-885	Housing	1
31	D-27	Bearing Cup	1
32	10801	Vent Cap	1
33	G-7282	Drive Chain - 2 Row	1
34	G-5923	Drive Shaft Assy	1
35	D-28	Bearing Cone	1
36	S-7491	Sprocket 2 Row	1
37	N-593	Shaft 6-Spline 1-3/8 ASAE	1
38	S-7046	Washer - Hardened	1
39	S-2056-86	Key	1
40	D-70	Bearing Cone	1
41	X-197	Gasket	1
42	G-5924	Gear Case Cover Assy	1
43	D-71	Bearing Cup	1
44	I-884	Gear Case Cover	1
45	X-198	Gasket	AR
46	I-883	Retainer Plate	1
47	X-201	Seal - Upper	1
48	G-7491	PTO Guard	1

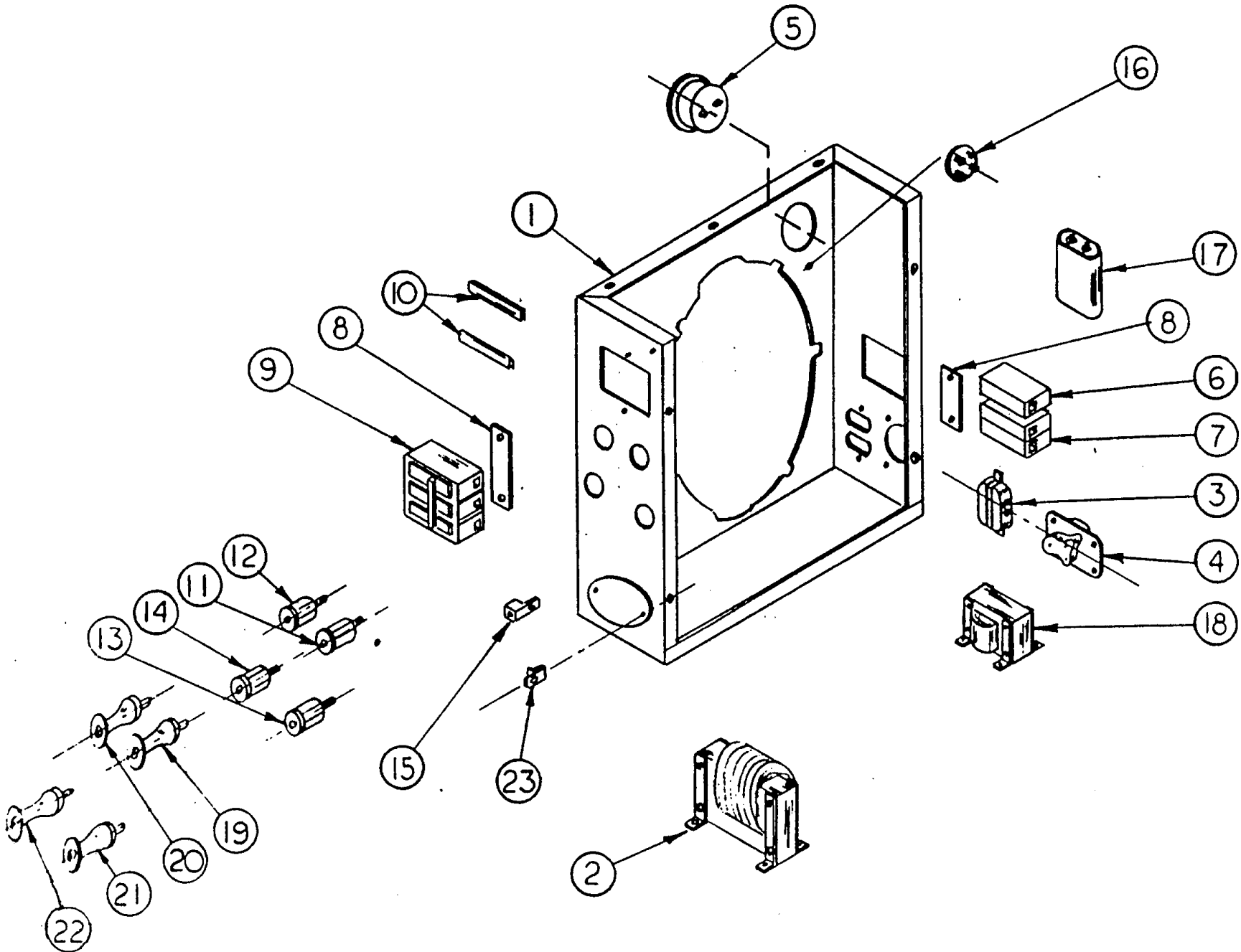
Wiring Diagram E-8649 -3  
Parts Drawing IE-11640



PARTS LIST  
 PANEL BACK ASSEMBLY  
 G-5434-12

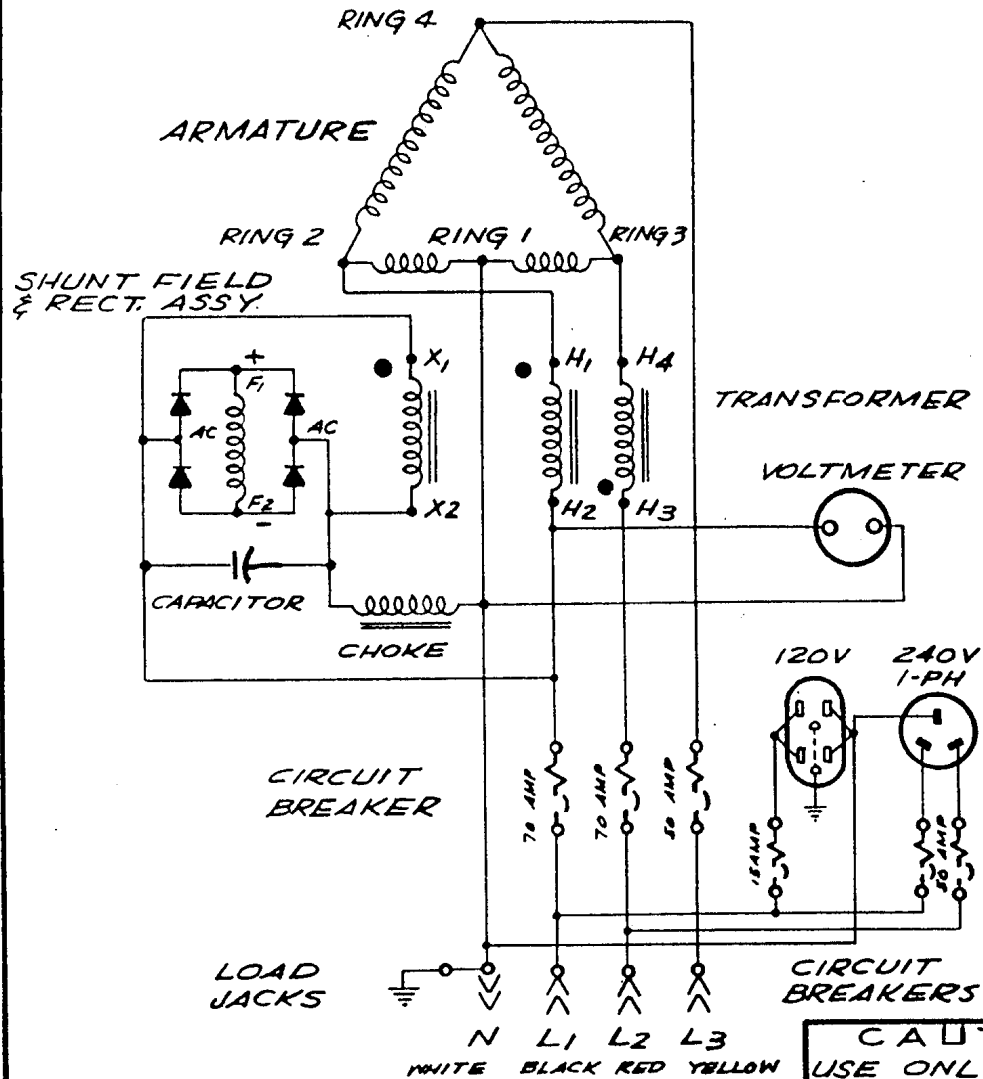
<u>FIND NO.</u>	<u>PART NO.</u>	<u>DESCRIPTION</u>	<u>REQ'D/UNIT</u>
1	G-5838-6	Panel Weld Assembly	1
2	EE-1981	Transformer	1
3	EE-323	Receptacle - Duplex	1
4	EE-303-1	Receptacle - 250V	1
5	VM-716	Voltmeter	1
6	EE-1830	Circuit Breaker	1
7	EE-1805	Circuit Breaker	1
8	S-5027-1	Mounting Plate	2
9	EE-1861	Circuit Breaker	1
10	W-203	Insulator	2
11	EE-1339	Receptacle - Black	1
12	EE-1341	Receptacle - White	1
13	EE-1348	Receptacle - Red	1
14	EE-1347	Receptacle - Yellow	1
15	EE-1671	Ground Lug	1
16	EE-2171-4	Rectifier Assy Shunt	1
17	EE-1539	Capacitor	1
18	EE-1982	Choke	1
19	EE-1340	Plug - Black	1
20	EE-1342	Plug - White	1
21	EE-1346	Plug - Red	1
22	EE-1345	Plug - Yellow	1
23	4957	Tinnerman	7

Wiring Diagram E-8649  
 Parts Drawing E-8790

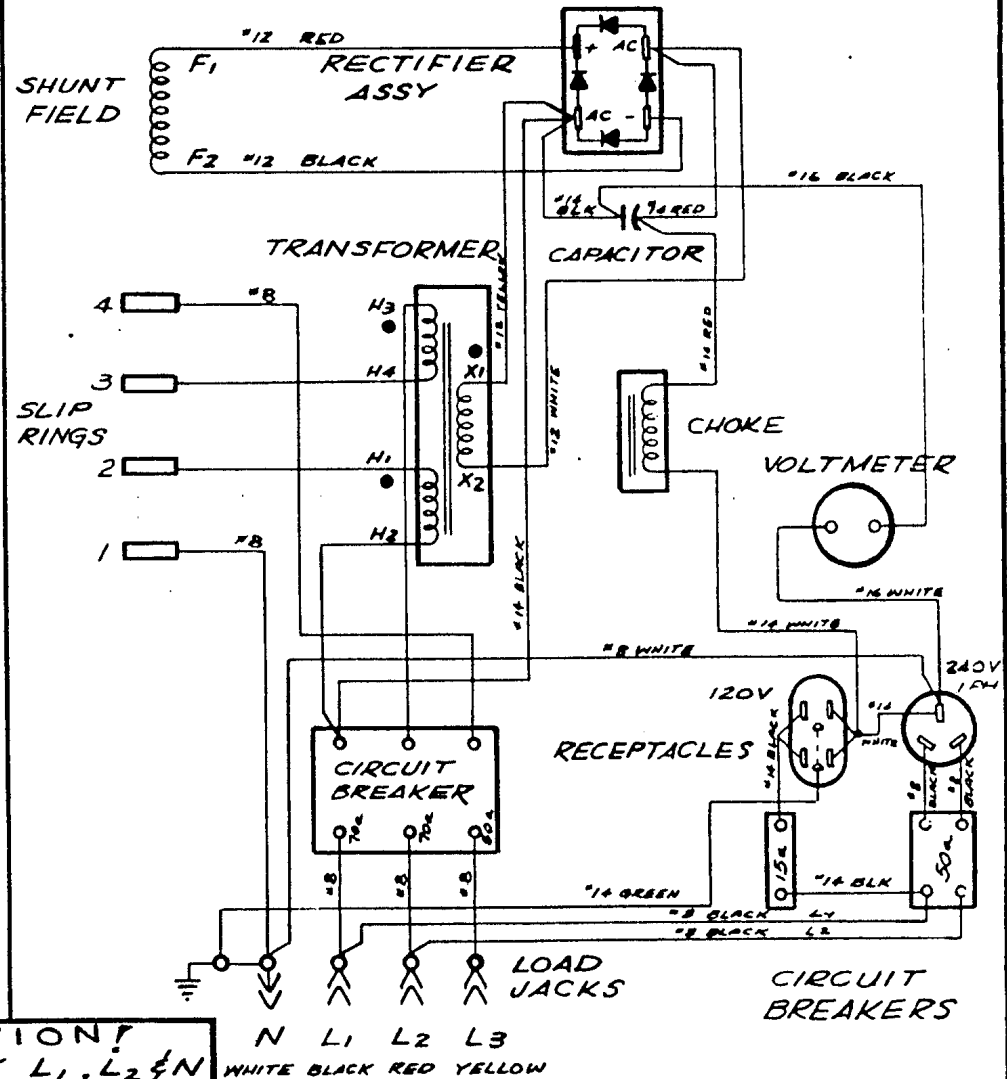


# 25/15PT3J

## SCHEMATIC WIRING



## PICTORIAL WIRING



**CAUTION!**  
USE ONLY L1, L2 & N  
FOR SINGLE PHASE  
LOADS

D	REV & REDN	8-21-74	T.C.G.		
CHANGE	WAS ORIGINALLY	DATE	CHK'D	CHG. REQUEST	
TOLERANCE ON DIMENSIONS NOT OTHERWISE SPECIFIED			DECIMAL ±	REMOVE ALL BURRS	MATERIAL _____
			FRACTIONAL ±	BREAK ALL SHARP MACHINED EDGES	
			ANGULAR ±		

CIRCUIT DIAGRAM	
SCALE ~	MODEL NO. _____
DATE 8-21-74	PART NO. Z-2254
DWN T.C.G.	CHK'D _____
<b>WINPOWER MFG. CO.</b> NEWTON, IOWA	