

18/30 PT2 & 18/30 PT3
GENERATOR AND PTO PARTS LIST

<u>REF. NO.</u>	<u>PART NO.</u>	<u>DESCRIPTION</u>	<u>QUANTITY</u>
8	G-4766-1	Armature Assembly - 18/30 PT2	1
8	G-4766-2	Armature Assembly - 18/30 PT3	1
7	G-2524	Base Assembly	1
12	D-8	Bearing - Panel End	1
45	W-43	Bearing Retainer	1
10	D-3	Bearing - Drive End	1
35	D-10	Bearing Cone - Sprocket End	1
17	D-10-A	Bearing Cup - Sprocket End	1
36	D-9	Bearing Cone - Drive Extension End	1
23	D-9-A	Bearing Cup - Drive Extension End	1
41	G-4419	Brush Spider Complete	1
41	G-4419-1	Brush Spider Complete	1
42	Y-51	Brush (18/30 PT3 uses 8)	6
	G-3422	Brush Spring Assembly (" " " 8)	6
	G-4420	Brushholder Assembly (" " " 4)	3
	O-96	Brushholder Pin	2
	I-823	Brush Pin Support	2
13	I-686-D	Drive End Bell	1
24	TE-888	Drive End Bell Grease Seal	1
30	G-4333	Drive Chain - 3 Row	1
31	G-4327	Drive Shaft Assembly Complete	1
	P-20	Dowell Pin (Gear Case Cover)	2
32	N-457	Drive Shaft	1
19	I-770	End Plate	1
18	X-178	End Plate Gasket	1
9	I-588-C	Fan	1
	1210	Fan Key (Woodruff)	1
	G-4769-1	Field Frame Assembly	1
5	H-918 →	Field Coil Set (18/30 PT2) H 9181 - qty 2	4
5	H-938	Field Coil Set (18/30 PT3) H 9182 - qty 2	4
4	J-314-1	Field Coil Insulators (2 per coil)	8
3	G-2547	Field Poles	4
15	G-3572-1	Gear Case Housing Assembly	1
16	I-767	Gear Case Housing	1
14	X-177	Gear Case Housing Gasket	1
21	S-3573-1	Gear Case Cover Assembly	1
22	I-768	Gear Case Cover	1
37	X-180	Gear Case Cover Gasket	1
40	I-769	Gear Case Cover Bearing Ret. Plate	1
38	X-179	Gear Case Retainer Plate Gasket	3
39	TE-901	Gear Case Ret. Plate Grease Seal	1
49	G-4770	Power Takeoff Guard	1
26	S-4891	Sprocket (14 Tooth - 3 Row)	1
34	S-4892	Sprocket (50 Tooth - 3 Row)	1
33	1210	Sprocket Key (Woodruff)	1
	S-5640	Sprocket Key	1
	S-3418	Washer (Bearing Spacer)	1
	EE-969	Transformer	1
	EE-1950	Reactor	1
	G-4862-2	Rectifier Assembly	1

Note: All items are identical for PT2 & PT3 unless referenced.

18/30 PT2 & 18/30 PT3

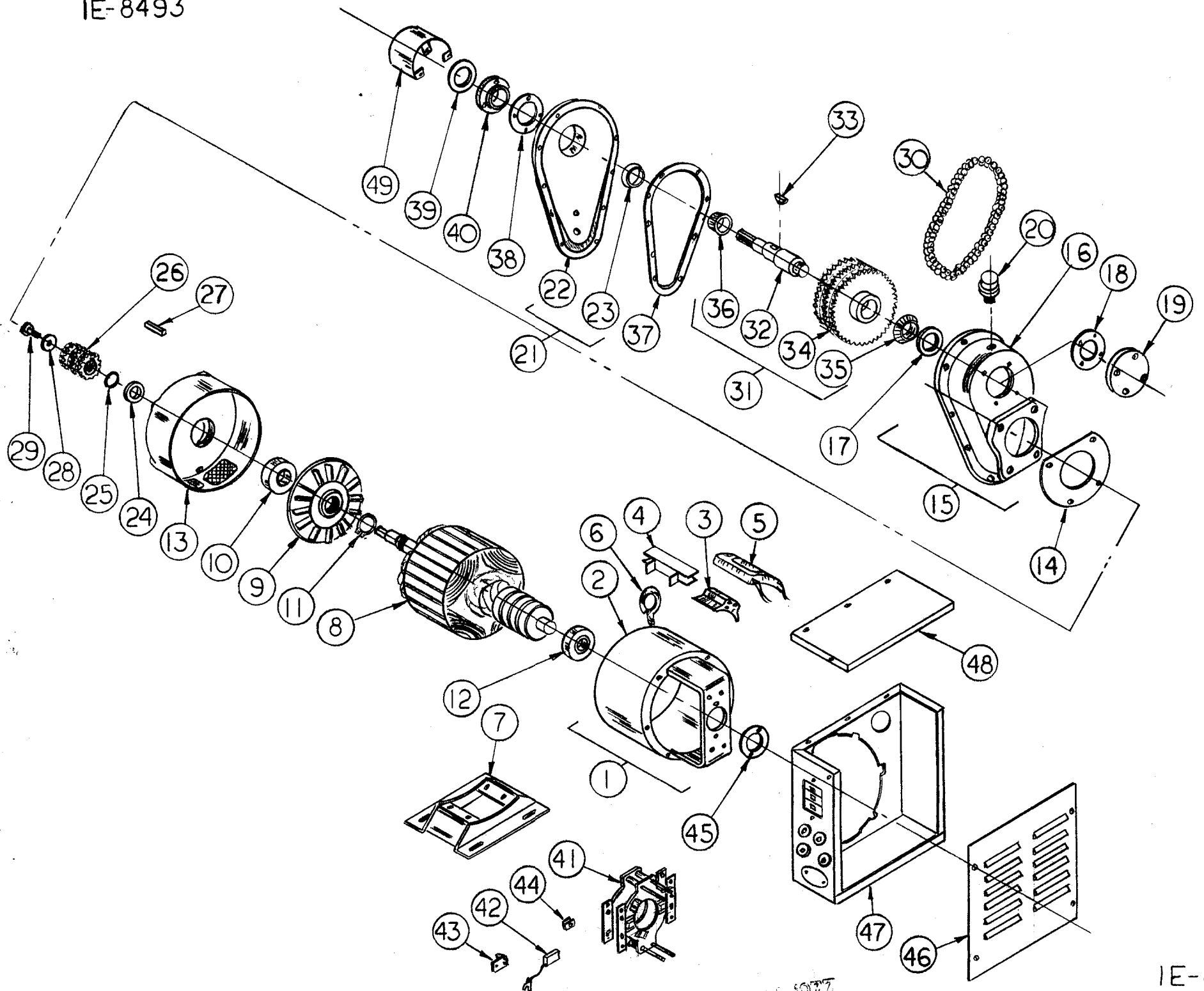
CONTROL PANEL PARTS LIST

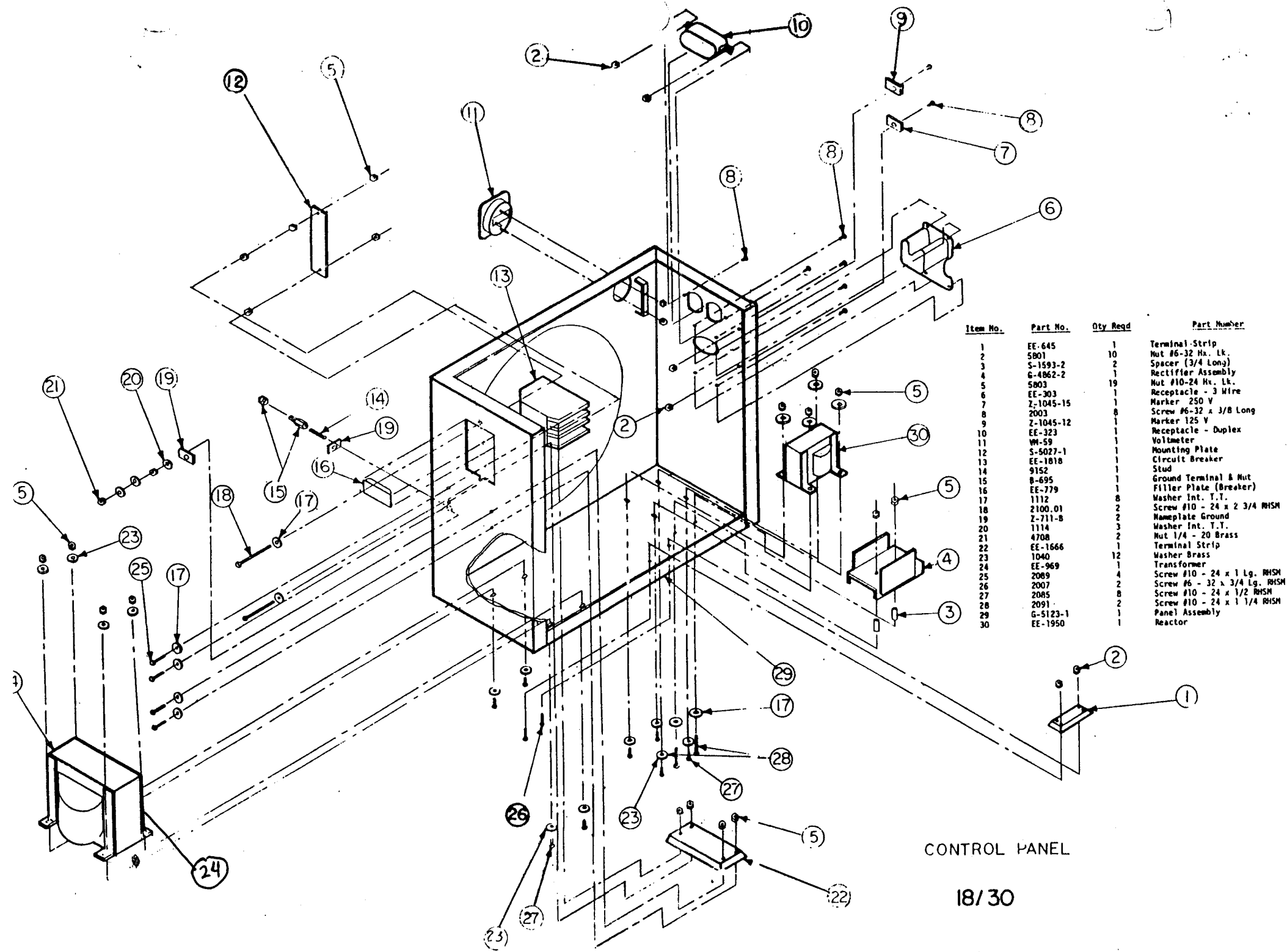
<u>Ref. No.</u>	<u>Part No.</u>	<u>Description</u>	<u>Quantity</u>
	EE-1818	Circuit Breaker (90 Amp, 2 Pole, 18/30 PT2)	1
	EE-858-A	Circuit Breaker (50 Amp, 3 Pole, 18/30 PT3)	1
	EE-779	Circuit Breaker Filler Plate (18/30 PT2)	1
	6201	Plug Button	1
	EE-1950	Reactor	1
	EE 2214	Rectifier	1
	EE-323	Receptacle - Duplex	1
	EE-303	Receptacle - 230 Volt, 1 Phase	1
	EE-1329	Receptacle - 220 Volt, 3 Phase (18/30 PT3 Only)	1
	EE-645	Terminal Strip - 2 Place, Field Coil Connection	1
	EE-1666	Terminal Strip - 2 Pole, Load (18/30 PT2)	1
	EE-658	Terminal Strip - 3 Pole, Load (18/30 PT3)	1
	EE-969	Transformer - Voltage Regulator	1
	EE-2138	Thyrector (On rectifier assembly)	1
	VM 716	Voltmeter	1

Wiring Diagram Reference

18/30 PT2	Z1668	E6666
18/30 PT3	Z1669	E6667

Note: All items are identical for PT2 & PT3 unless referenced.

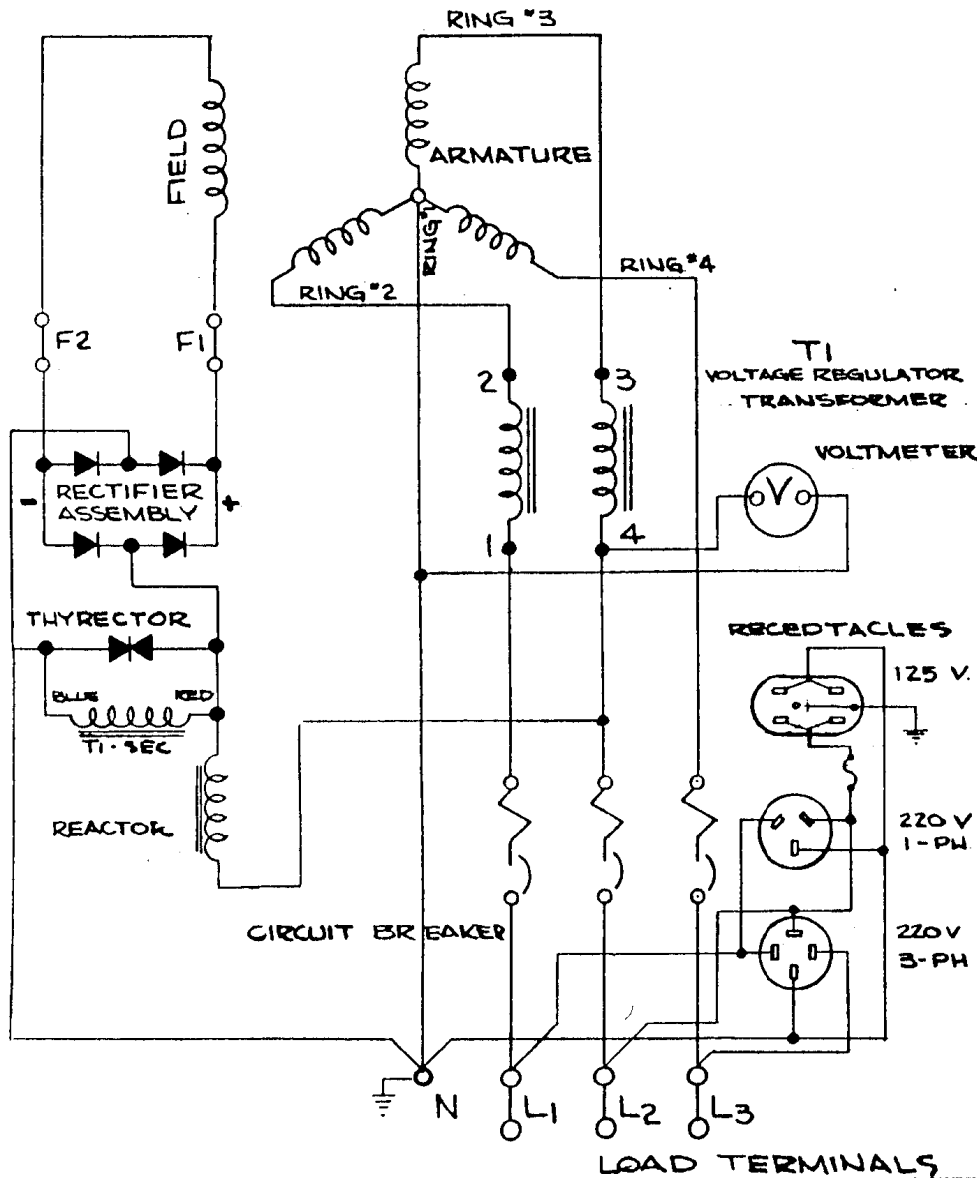




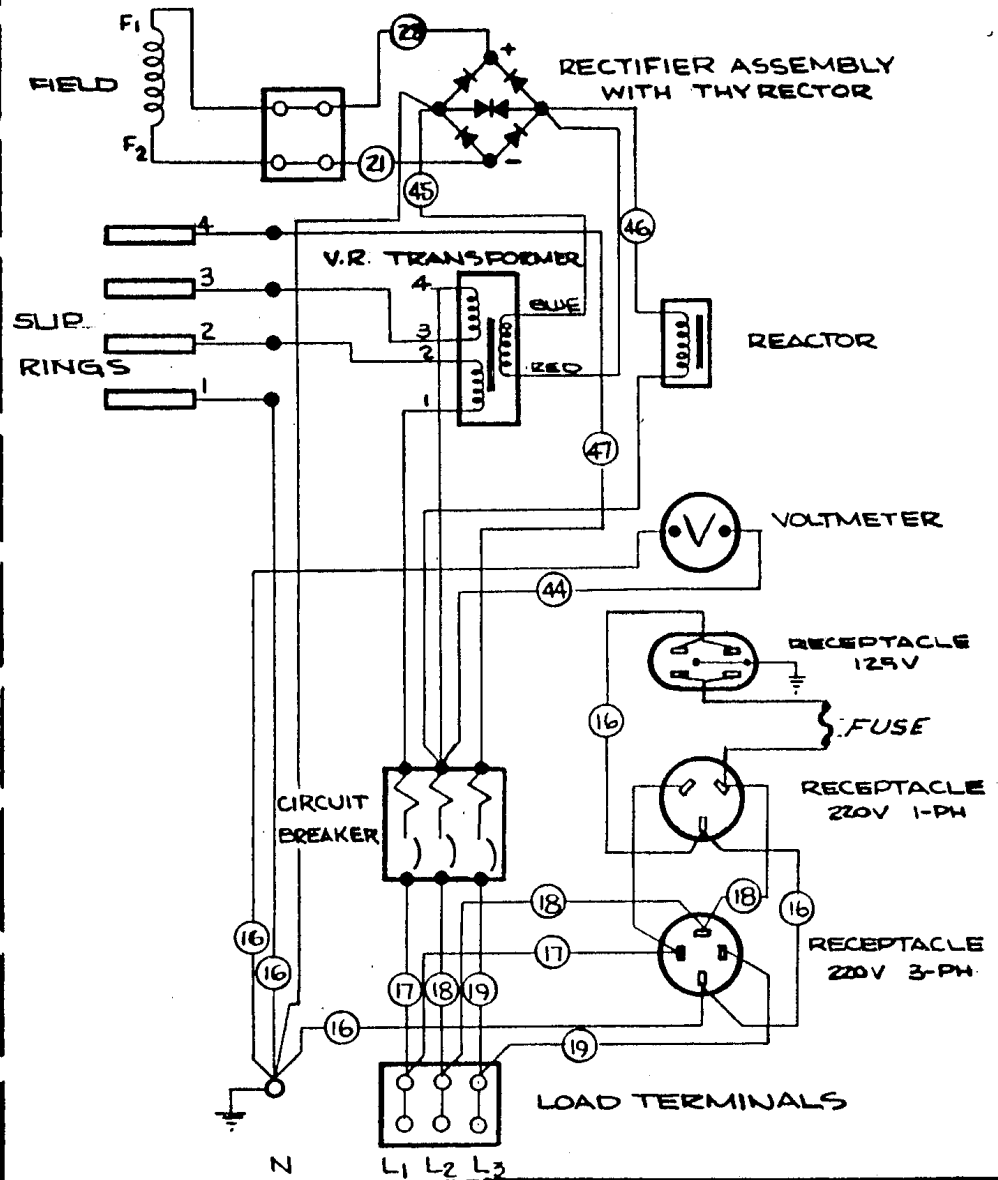
Item No.	Part No.	Qty Reqd	Part Number
1	EE-645	1	Terminal-Strip
2	5801	10	Nut #6-32 Hx. Lk.
3	S-1593-2	2	Spacer (3/4 Long)
4	G-4862-2	1	Rectifier Assembly
5	5803	19	Nut #10-24 Hx. Lk.
6	EE-303	1	Receptacle - 3 Wire
7	Z-1045-15	1	Marker 250 V
8	2003	8	Screw #6-32 x 3/8 Long
9	Z-1045-12	1	Marker 125 V
10	EE-323	1	Receptacle - Duplex
11	VM-59	1	Voltmeter
12	S-5027-1	1	Mounting Plate
13	EE-1818	1	Circuit Breaker
14	9152	1	Stud
15	B-695	1	Ground Terminal & Nut
16	EE-779	1	Filler Plate (Breaker)
17	1112	8	Washer Int. T.T.
18	2100.01	2	Screw #10 - 24 x 2 3/4 RHM
19	Z-711-B	2	Nameplate Ground
20	1114	2	Washer Int. T.T.
21	4708	3	Nut 1/4 - 20 Brass
22	EE-1666	1	Terminal Strip
23	1040	12	Washer Brass
24	EE-969	1	Transformer
25	2089	4	Screw #10 - 24 x 1 Lg. RHM
26	2007	2	Screw #6 - 32 x 3/4 Lg. RHM
27	2085	8	Screw #10 - 24 x 1/2 RHM
28	2091	2	Screw #10 - 24 x 1 1/4 RHM
29	G-5123-1	1	Panel Assembly
30	EE-1950	1	Reactor

CONTROL PANEL

SCHEMATIC WIRING



PICTORIAL WIRING



N O T E: A SINGLE PHASE LOAD CONNECTED DIRECTLY TO THE LOAD TERMINAL STRIP SHOULD BE AS FOLLOWS: L₂ TO NEUTRAL FOR 125 VOLTS, L₁ TO L₂ FOR 220 VOLTS. SINGLE PHASE CONNECTION TO L₃ DOES NOT MAKE USE OF THE VOLTAGE REGULATING TRANSFORMER.

WIRING DIAGRAM

SCALE ~	MODEL NO. 18/30 PTS
DATE 8-26-65	PART NO. Z-1669
DWN T.C.G	CHK'D

WINPOWER MFG. CO.
NEWTON, IOWA