

18/30 PT2 & 18/30 PT3
GENERATOR AND PTO PARTS LIST

| <u>REF. NO.</u> | <u>PART NO.</u> | <u>DESCRIPTION</u> | <u>QUANTITY</u> |
|-----------------|-----------------|---|-----------------|
| 8 | G-4766-1 | Armature Assembly - 18/30 PT2 | 1 |
| 8 | G-4766-2 | Armature Assembly - 18/30 PT3 | 1 |
| 7 | G-2524 | Base Assembly | 1 |
| 12 | D-8 | Bearing - Panel End | 1 |
| 45 | W-43 | Bearing Retainer | 1 |
| 10 | D-3 | Bearing - Drive End | 1 |
| 35 | D-10 | Bearing Cone - Sprocket End | 1 |
| 17 | D-10-A | Bearing Cup - Sprocket End | 1 |
| 36 | D-9 | Bearing Cone - Drive Extension End | 1 |
| 23 | D-9-A | Bearing Cup - Drive Extension End | 1 |
| 41 | G-4419 | Brush Spider Complete | 1 |
| 41 | G-4419-1 | Brush Spider Complete | 1 |
| 42 | Y-51 | Brush (18/30 PT3 uses 8) | 6 |
| | G-3422 | Brush Spring Assembly (" " " 8) | 6 |
| | G-4420 | Brushholder Assembly (" " " 4) | 3 |
| | O-96 | Brushholder Pin | 2 |
| | I-823 | Brush Pin Support | 2 |
| 13 | I-686-D | Drive End Bell | 1 |
| 24 | TE-888 | Drive End Bell Grease Seal | 1 |
| 30 | G-4333 | Drive Chain - 3 Row | 1 |
| 31 | G-4327 | Drive Shaft Assembly Complete | 1 |
| | P-20 | Dowell Pin (Gear Case Cover) | 2 |
| 32 | N-457 | Drive Shaft | 1 |
| 19 | I-770 | End Plate | 1 |
| 18 | X-178 | End Plate Gasket | 1 |
| 9 | I-588-C | Fan | 1 |
| | 1210 | Fan Key (Woodruff) | 1 |
| | G-4769-1 | Field Frame Assembly | 1 |
| 5 | H-918 → | Field Coil Set (18/30 PT2) H 9181 - qty 2 | 4 |
| 5 | H-938 | Field Coil Set (18/30 PT3) H 9182 - qty 2 | 4 |
| 4 | J-314-1 | Field Coil Insulators (2 per coil) | 8 |
| 3 | G-2547 | Field Poles | 4 |
| 15 | G-3572-1 | Gear Case Housing Assembly | 1 |
| 16 | I-767 | Gear Case Housing | 1 |
| 14 | X-177 | Gear Case Housing Gasket | 1 |
| 21 | S-3573-1 | Gear Case Cover Assembly | 1 |
| 22 | I-768 | Gear Case Cover | 1 |
| 37 | X-180 | Gear Case Cover Gasket | 1 |
| 40 | I-769 | Gear Case Cover Bearing Ret. Plate | 1 |
| 38 | X-179 | Gear Case Retainer Plate Gasket | 3 |
| 39 | TE-901 | Gear Case Ret. Plate Grease Seal | 1 |
| 49 | G-4770 | Power Takeoff Guard | 1 |
| 26 | S-4891 | Sprocket (14 Tooth - 3 Row) | 1 |
| 34 | S-4892 | Sprocket (50 Tooth - 3 Row) | 1 |
| 33 | 1210 | Sprocket Key (Woodruff) | 1 |
| | S-5640 | Sprocket Key | 1 |
| | S-3418 | Washer (Bearing Spacer) | 1 |
| | EE-969 | Transformer | 1 |
| | EE-1950 | Reactor | 1 |
| | G-4862-2 | Rectifier Assembly | 1 |

Note: All items are identical for PT2 & PT3 unless referenced.

18/30 PT2 & 18/30 PT3

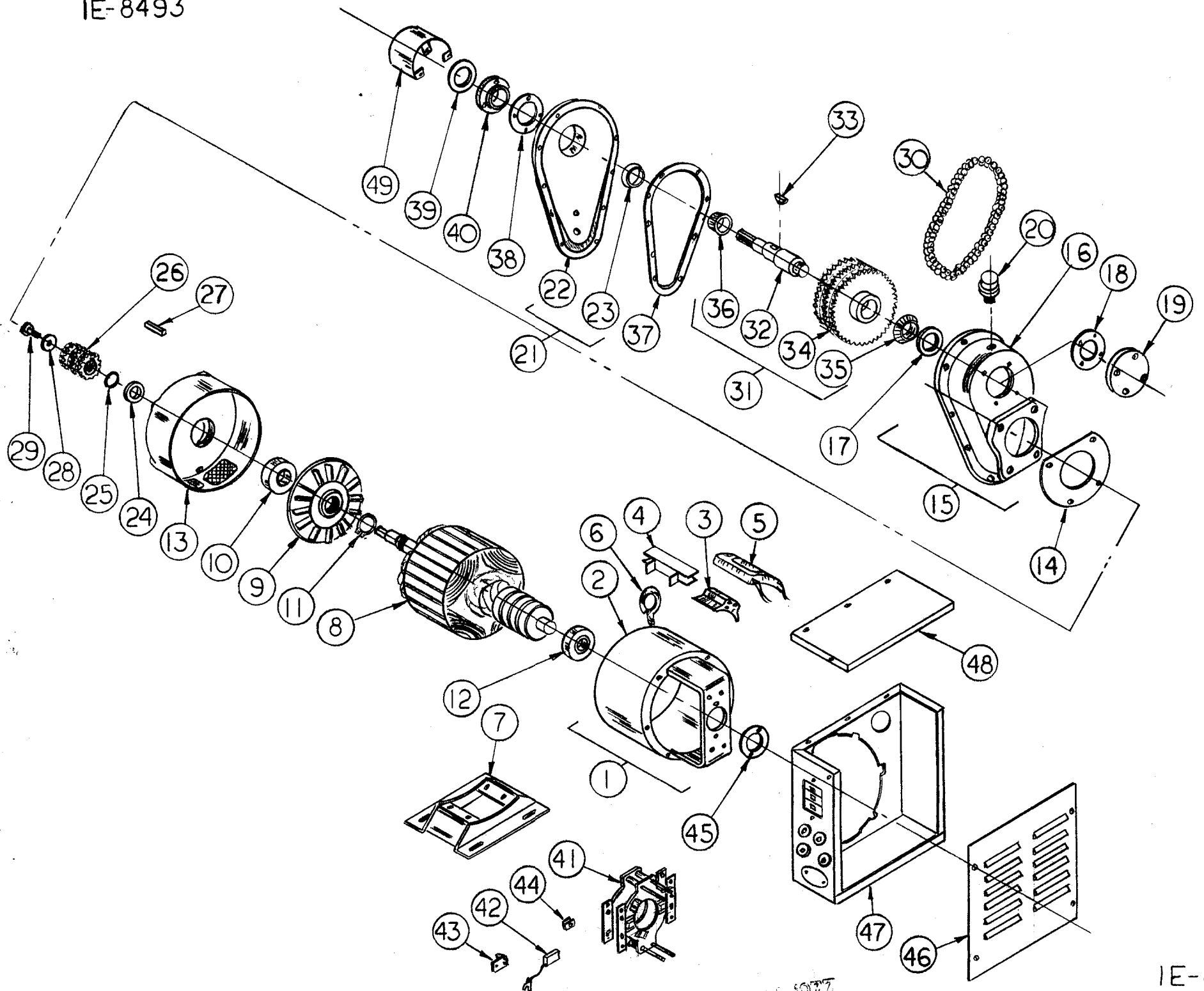
CONTROL PANEL PARTS LIST

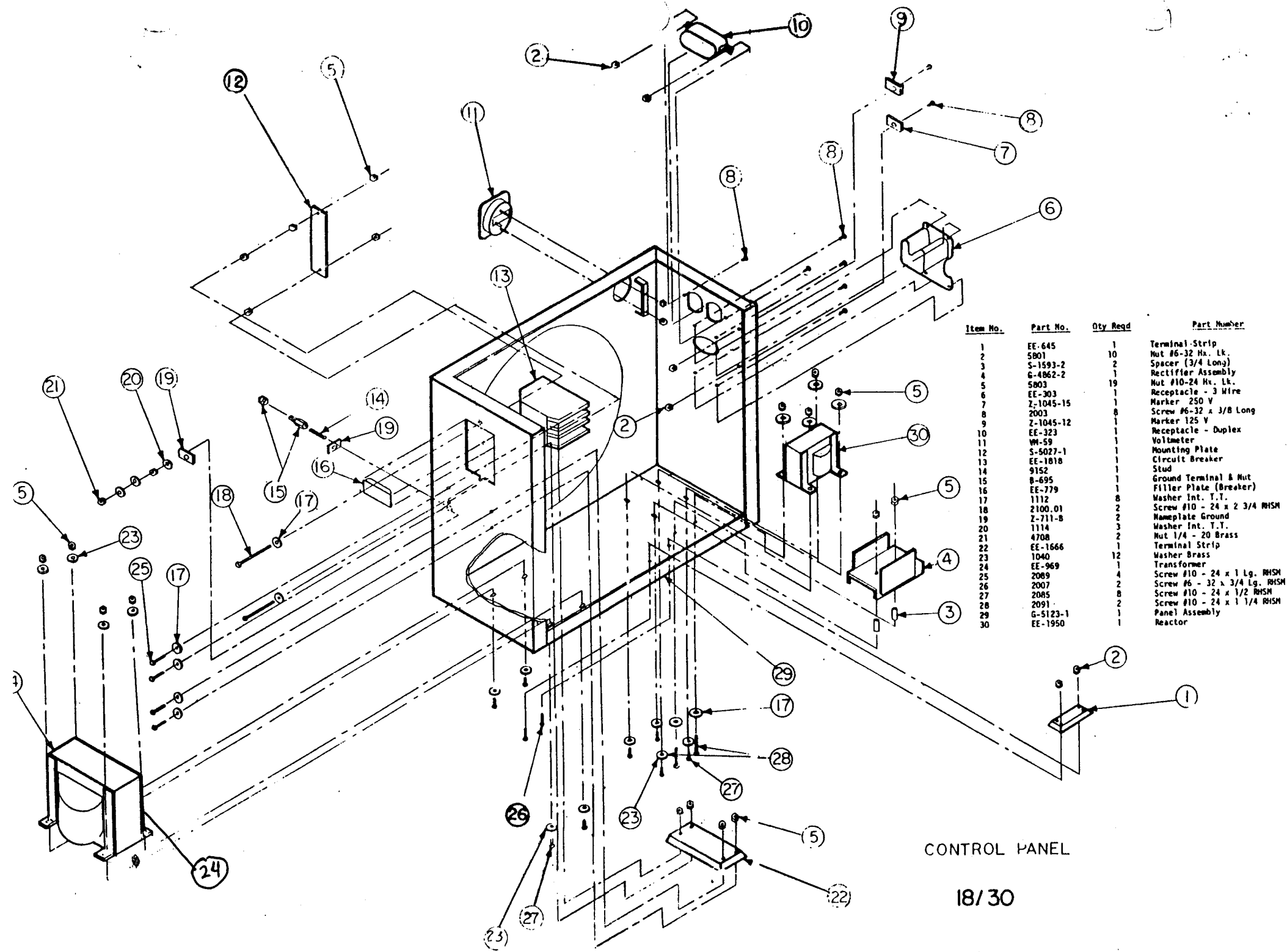
| <u>Ref. No.</u> | <u>Part No.</u> | <u>Description</u> | <u>Quantity</u> |
|-----------------|-----------------|---|-----------------|
| | EE-1818 | Circuit Breaker (90 Amp, 2 Pole, 18/30 PT2) | 1 |
| | EE-858-A | Circuit Breaker (50 Amp, 3 Pole, 18/30 PT3) | 1 |
| | EE-779 | Circuit Breaker Filler Plate (18/30 PT2) | 1 |
| | 6201 | Plug Button | 1 |
| | EE-1950 | Reactor | 1 |
| | EE 2214 | Rectifier | 1 |
| | EE-323 | Receptacle - Duplex | 1 |
| | EE-303 | Receptacle - 230 Volt, 1 Phase | 1 |
| | EE-1329 | Receptacle - 220 Volt, 3 Phase (18/30 PT3 Only) | 1 |
| | EE-645 | Terminal Strip - 2 Place, Field Coil Connection | 1 |
| | EE-1666 | Terminal Strip - 2 Pole, Load (18/30 PT2) | 1 |
| | EE-658 | Terminal Strip - 3 Pole, Load (18/30 PT3) | 1 |
| | EE-969 | Transformer - Voltage Regulator | 1 |
| | EE-2138 | Thyrector (On rectifier assembly) | 1 |
| | VM 716 | Voltmeter | 1 |

Wiring Diagram Reference

| | | |
|-----------|-------|-------|
| 18/30 PT2 | Z1668 | E6666 |
| 18/30 PT3 | Z1669 | E6667 |

Note: All items are identical for PT2 & PT3 unless referenced.

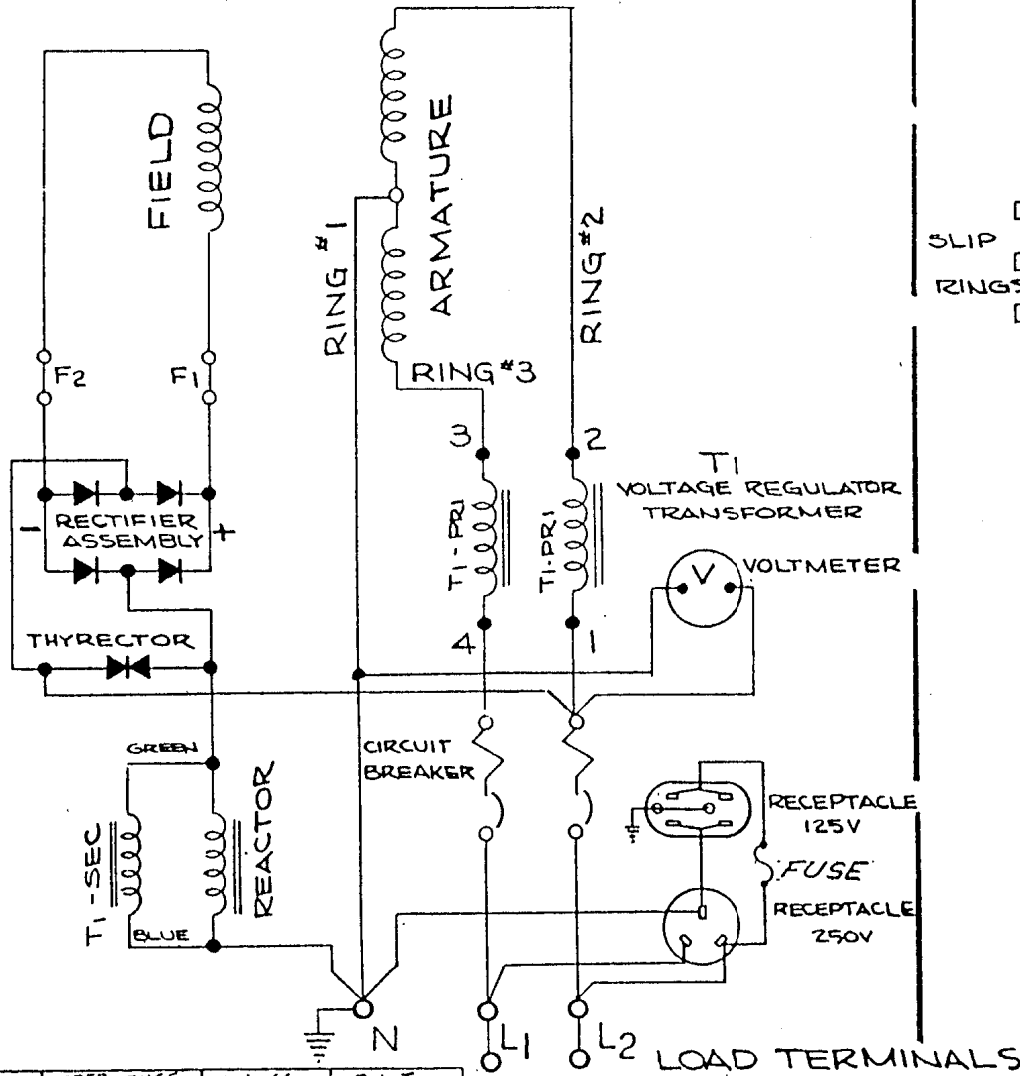




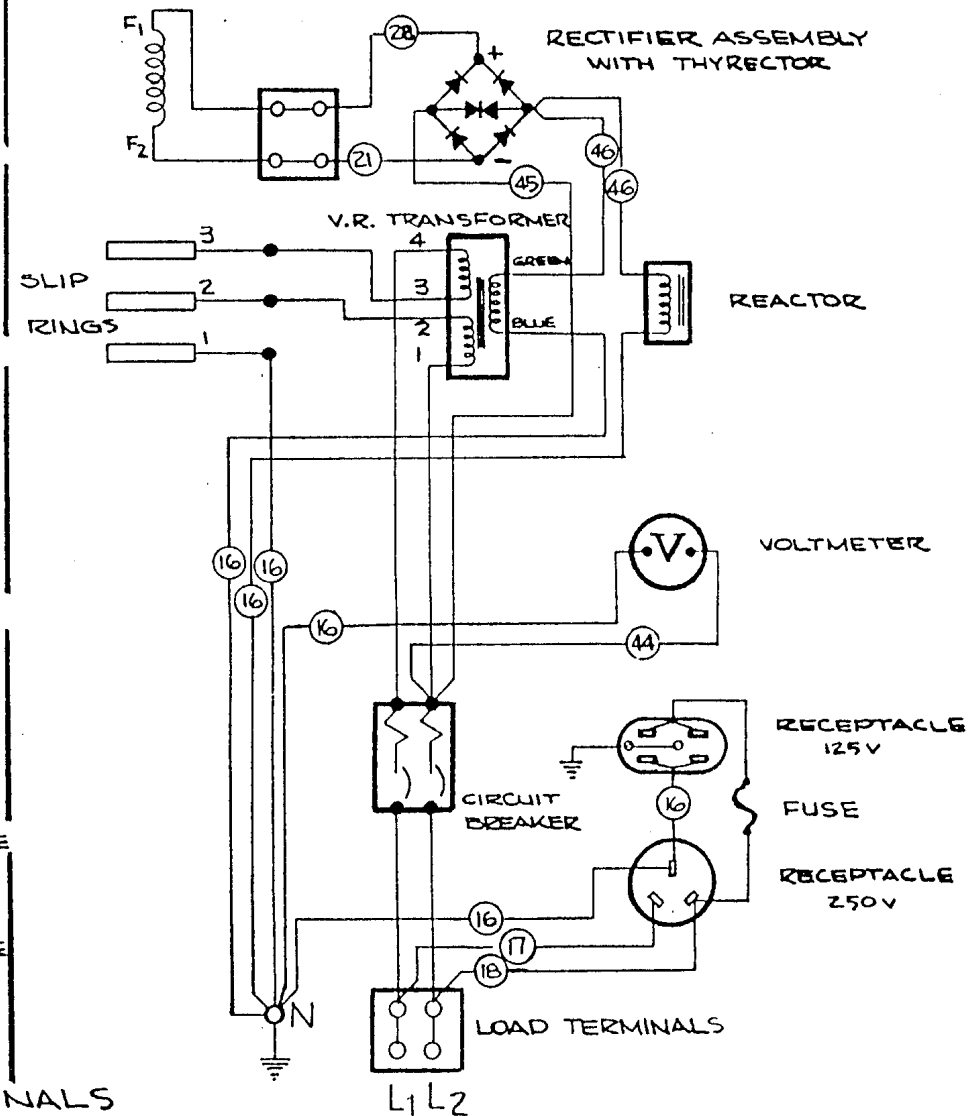
| Item No. | Part No. | Qty Reqd | Part Number |
|----------|-----------|----------|------------------------------|
| 1 | EE-645 | 1 | Terminal-Strip |
| 2 | 5801 | 10 | Nut #6-32 Hx. Lk. |
| 3 | S-1593-2 | 2 | Spacer (3/4 Long) |
| 4 | G-4862-2 | 1 | Rectifier Assembly |
| 5 | 5803 | 19 | Nut #10-24 Hx. Lk. |
| 6 | EE-303 | 1 | Receptacle - 3 Wire |
| 7 | Z-1045-15 | 1 | Marker 250 V |
| 8 | 2003 | 8 | Screw #6-32 x 3/8 Long |
| 9 | Z-1045-12 | 1 | Marker 125 V |
| 10 | EE-323 | 1 | Receptacle - Duplex |
| 11 | VM-59 | 1 | Voltmeter |
| 12 | S-5027-1 | 1 | Mounting Plate |
| 13 | EE-1818 | 1 | Circuit Breaker |
| 14 | 9152 | 1 | Stud |
| 15 | B-695 | 1 | Ground Terminal & Nut |
| 16 | EE-779 | 1 | Filler Plate (Breaker) |
| 17 | 1112 | 8 | Washer Int. T.T. |
| 18 | 2100.01 | 2 | Screw #10 - 24 x 2 3/4 RHM |
| 19 | Z-711-B | 2 | Nameplate Ground |
| 20 | 1114 | 2 | Washer Int. T.T. |
| 21 | 4708 | 3 | Nut 1/4 - 20 Brass |
| 22 | EE-1666 | 1 | Terminal Strip |
| 23 | 1040 | 12 | Washer Brass |
| 24 | EE-969 | 1 | Transformer |
| 25 | 2089 | 4 | Screw #10 - 24 x 1 Lg. RHSM |
| 26 | 2007 | 2 | Screw #6 - 32 x 3/4 Lg. RHSM |
| 27 | 2085 | 8 | Screw #10 - 24 x 1/2 RHSM |
| 28 | 2091 | 2 | Screw #10 - 24 x 1 1/4 RHSM |
| 29 | G-5123-1 | 1 | Panel Assembly |
| 30 | EE-1950 | 1 | Reactor |

CONTROL PANEL

SCHMATIC WIRING



PICTORIAL WIRING



| | | | | | | | |
|---|--------------------------------------|----------|--|--|------------|----------------|--|
| C | ADDED FUSE | 11-1-66 | R.L.T | | | | |
| B | ADDED NOTE | 10-14-66 | R.L.T. | | | | |
| A | REVERSED TRANS. LEADS BLUE WAS GREEN | 1-15-66 | T.C.G. | SIMON | | | |
| CHANGE | AS WAS ORIGINALLY | DATE | CHK'D | CHG. REQUEST | | | |
| TOLERANCE ON DIMENSIONS NOT OTHERWISE SPECIFIED | | | DECIMAL ± FRACTIONAL ± ANGULAR ± | REMOVE ALL BURRS BREAK ALL SHARP MACHINED EDGES | NO. REQ'D. | MICROFILM DATA | |
| | | | | MATERIAL _____ | | | |

| | |
|--|--------------------|
| WIRING DIAGRAM | |
| SCALE ~ | MODEL NO. 18/30PT2 |
| DATE 8-23-65 | PART NO. Z-1668 |
| DWN T.G. | CHK'D _____ |
| WINPOWER MFG. CO. NEWTON, IOWA | |