



WIRING DIAGRAM & PARTS LIST  
POWER TAKE-OFF GENERATOR  
MODEL 3W055D

FORM  
5S2477  
03653

DAYTON ELECTRIC MANUFACTURING CO. CHICAGO 60648

0682/234/1M

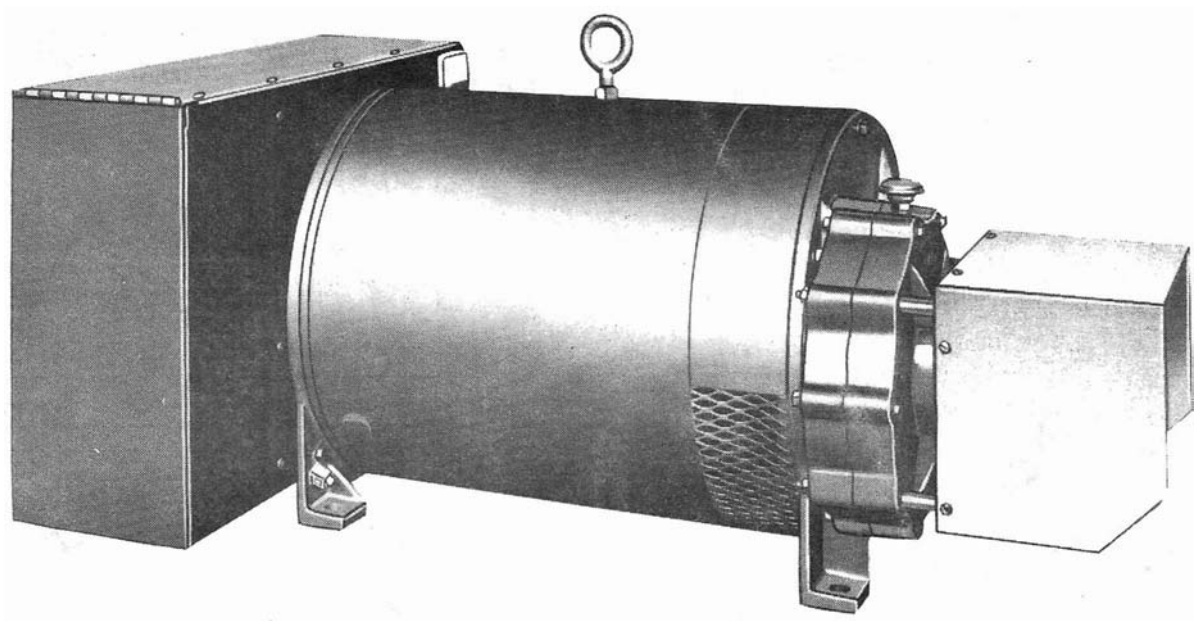


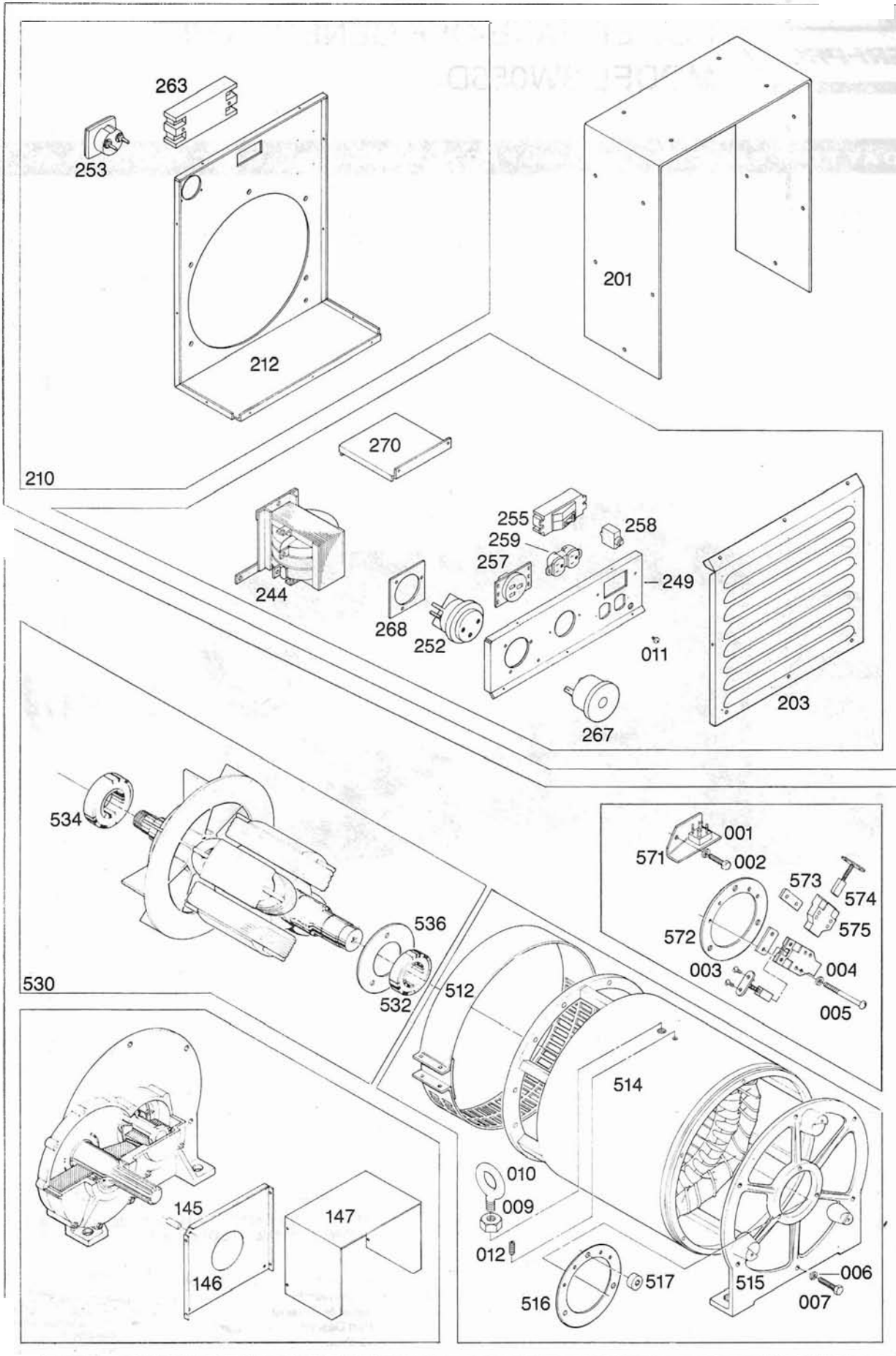
Figure 1

**ORDER REPLACEMENT PARTS THROUGH DEALER  
FROM WHOM PRODUCT WAS PURCHASED**

Please provide following information:

- Model Number
- Serial Number (if any)
- Part Description and Number as shown in parts list.

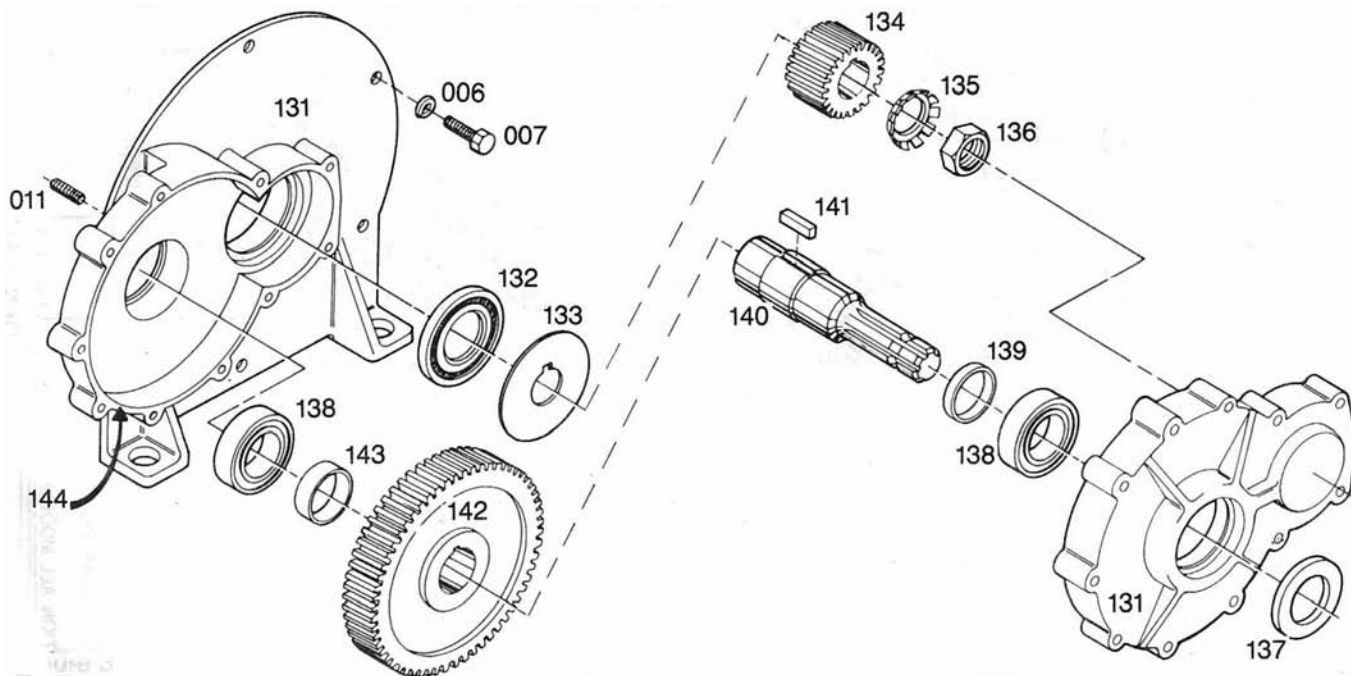
If dealer **cannot** supply,  
order from:  
Dayton Electric Mfg. Co.  
Parts Department  
5959 W. Howard St.  
Chicago, Illinois 60648



**Replacement Parts List for Generator**

Ref. No.	Description	Qty.	Part No.	Ref. No.	Description	Qty.	Part No.
001	Lockwasher 5/16	3	480	255	Circuit Breaker	1	57030
002	Capscrew 5/16-18 x 2	3	441	257	Receptacle	1	57325
003	Screw 8-32 x 5/16	8	40746	258	Circuit Breaker	1	91286
004	Lockwasher	4	6376	259	Receptacle	1	24749
005	Screw 8-32 x 1-1/2	4	10846	263	Circuit Breaker (150A)	1	91447-1
006	Lockwasher	6	90570	267	Plug (Octopus)	1	91859
007	Capscrew	6	91256	268	Retainer Plate	1	91350
008	Set Screw	1	91347	270	Saddle	1	61280
009	Nut	1	447	512	Cover (Impeller)	1	91337
010	Eye Bolt	1	91137	514	Stator (Frame Assy)	1	91148
011	Screw	22	21698-1	515	End Bracket	1	91212
145	Spacer	4	91172	516	Retainer	1	91211-1
146	Bracket	1	91170	517	Spacer	3	21264
147	Shield	1	91171	530	Rotor Assembly	1	91237
201	Cover	1	61135	532	Bearing	1	91111
203	Louvered Panel	1	91137	534	Bearing (Drive End)	1	91112
210	Rear Panel Assy	1	61200	536	Retainer	1	91196
212	Rear Panel (Bare)	1	61141	571	Rectifier	1	91452
244	Transformer	1	91187	572	Ring (Brush Holder)	1	91211-2
249	Front Panel (Bare)	1	61138	573	Spacer (Fiber)	2	23532
252	Receptacle (Octopus)	1	91427	574	Brush	4	23607
253	Voltmeter	1	91370	575	Brush Holder	4	59690
*	VM Mag Shield	1	91469	576	*Barrier Spacer	4	59688

\*Not Illustrated



**Replacement Parts List for Gear Case**

Ref. No.	Description	Qty.	Part No.	Ref. No.	Description	Qty.	Part No.
006	Lockwasher	4	90570	137	Seal (Cover)	1	91247
007	Capscrew	4	91256	138	Bearing	2	91250
011	Stud	2	91138	139	Spacer (Front)	1	91108-003
131	Support & Cover	1	91103	140	Shaft	1	91344
132	Seal (Rotor Shaft)	1	91116	141	Key	1	91117
133	Slinger	1	91345	142	Gear	1	91118
134	Gear (Pinion)	1	91225	143	Spacer (Rear)	1	91108-004
135	Lockwasher	1	50531	144	Gasket	1	91104
136	Nut	1	50532				

