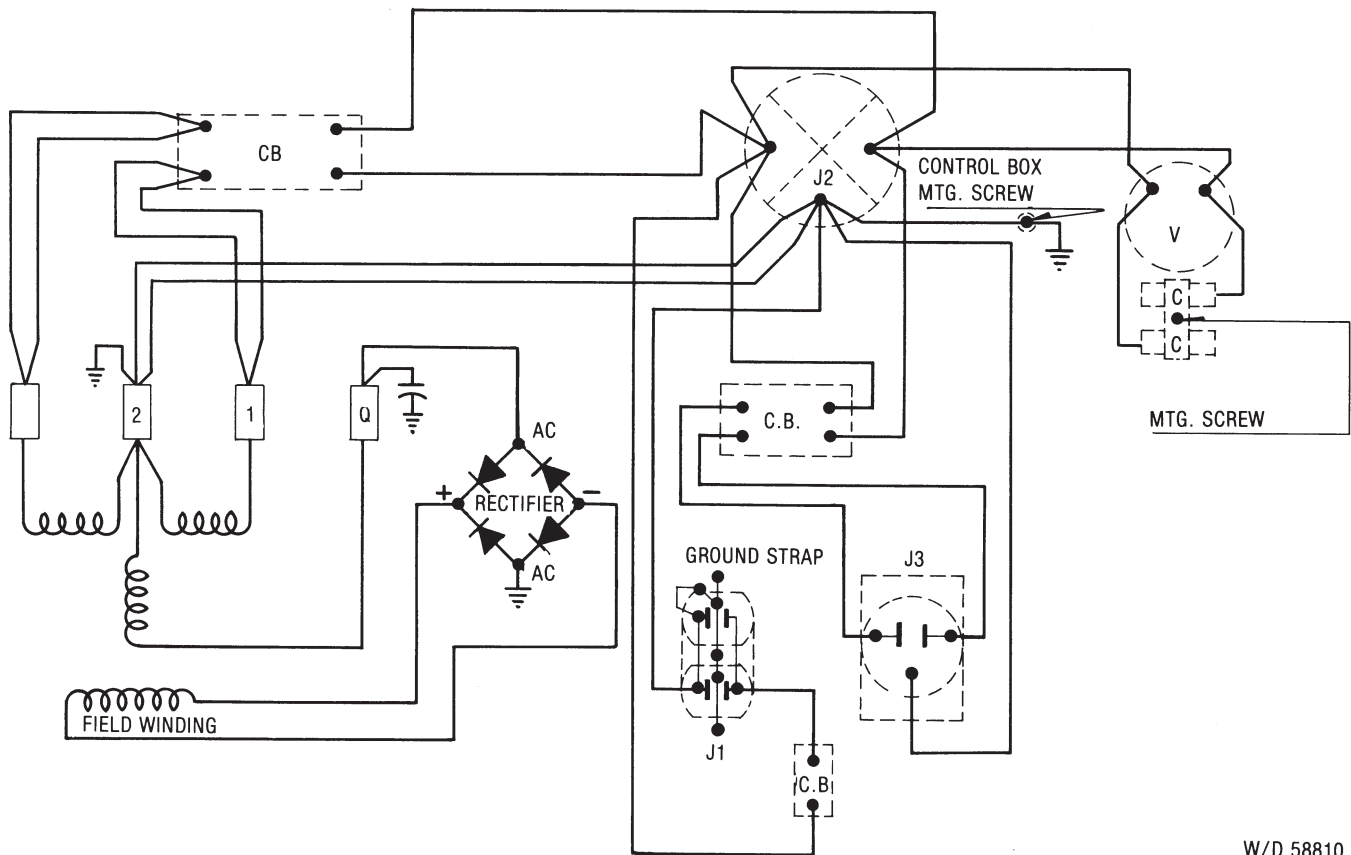


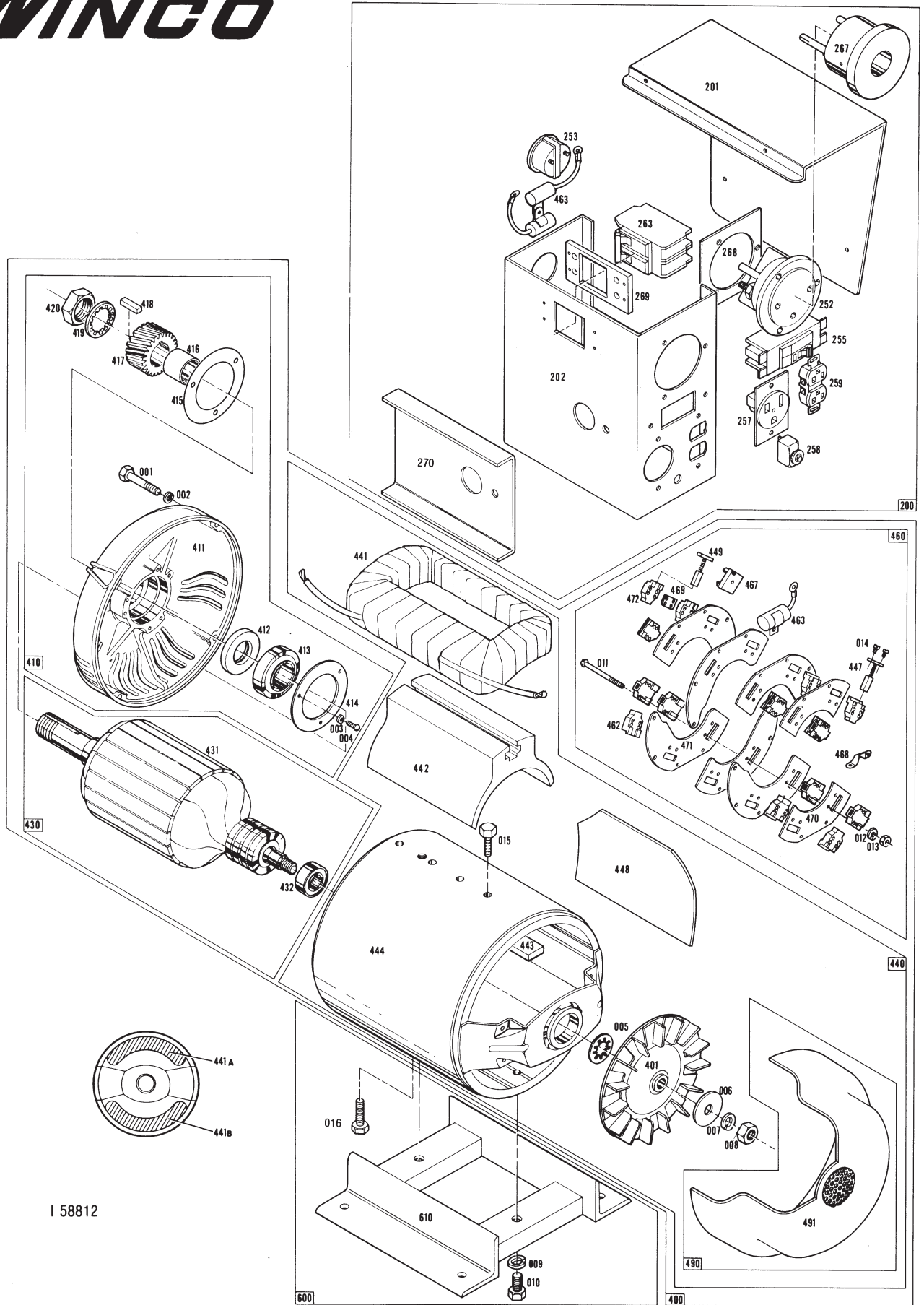
## ILLUSTRATED PARTS LIST



W/D 58810

### SCHEMATIC DIAGRAM

This IPL contains wiring, illustration, parts list, ordering information and technical data to perform routine maintenance on this generator. Consult factory with model no., serial no. and test data for further assistance.



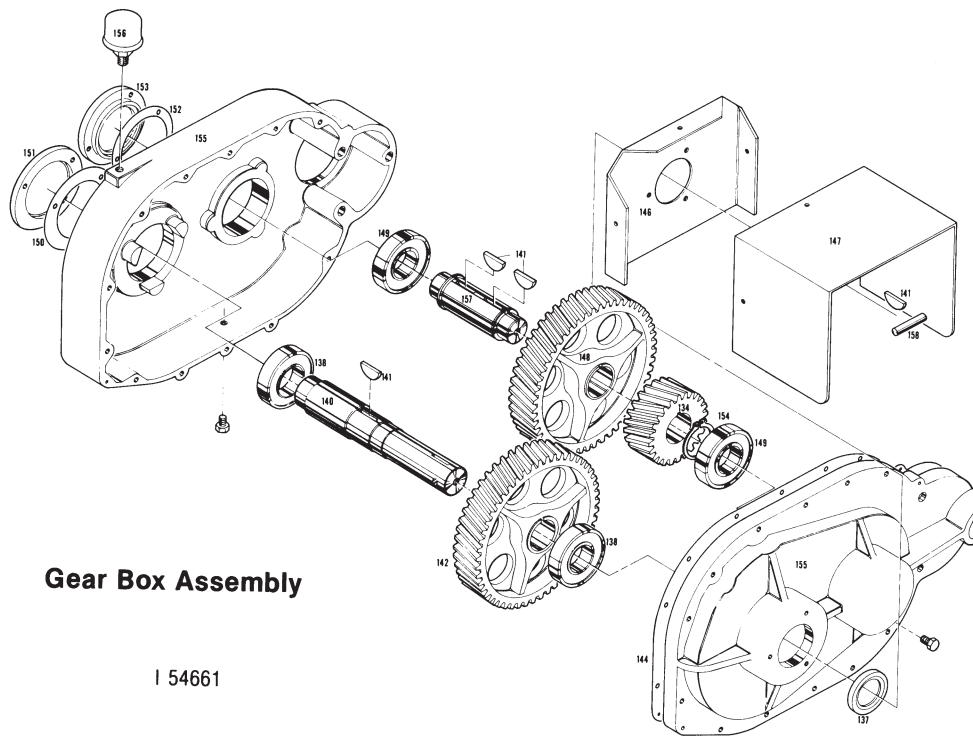
I 58812

REF. NO.	DESCRIPTION	QTY.	PART NO.	REF. NO.	DESCRIPTION	QTY.	PART NO.
000	Hardware			401	Fan Assembly	1	23404
001	Cap Screw 5/16-18 x 2 3/4	4	51101	410	End Bracket Ass'y	1	54788
002	Lockwasher	4	480	411	End Bracket	1	54804
003	Lockwasher Split Type	3	479	412	Oil Seal	1	46912
004	Machine Screw	3	45633	413	Bearing	1	46913
005	Lockwasher 1/16 int.	1	40552	414	Retainer Plate	1	44318
006	Flat Washer	1	21867	415	Gasket	1	20136
007	Lockwasher	1	20039	416	Spacer	1	20137
008	Hex Nut 1/2-20	1	9549	417	Pinion Gear	1	46545
009	Lockwasher	2	636	418	Key	1	20159
010	Cap Screw 1/2-13 x 1	1	48178	419	Lockwasher	1	20139
011	Machine Screw	4	44342	420	Hex Nut	1	20160
012	Lockwasher	5	6376	430	Armature Assembly	1	52497
013	Hex Nut 8-32	5	5113	431	Armature	1	52497-1
014	Machine Screw	28	40746	432	Bearing	1	50215
015	Cap Screw 7/16-20-1 3/4	7	43781	440	Field Shell & Coil Assembly		58811
016	Cap Screw 7/16-20 x 1 1/2	1	54806	441A	Field Coil	1	52563
				441B	Field Coil	1	52563-1
200	Control Panel Ass'y.	1	58809-1	442	Pole Shoe	2	43473
201	Cover	1	58808-1	443	Pole Shoe Retainer	2	43474
202	Control Box	1	58806	444	Field Shell	1	54784
252	Receptacle (Octopus)	1	91333	447	AC Brush	12	24981
253	Voltmeter	1	52490	448	Lead Shield	1	23478
255	Circuit Breaker 50A	1	57030	449	Brush "Q"	2	53949
257	Receptacle	1	57325	460	Brush Rack Assembly		53977
258	Circuit Breaker 15A	1	91286	462	Brush Holder	12	23500-2
259	Receptacle	1	24749	463	Condenser	3	41221
263	Circuit Breaker 100A	1	58805-2	467	Rectifier	1	91452
267	Plug (Octopus)	1	91334	468	Ground Strap	1	41387-6
268	Mounting Plate (Recept)	1	91350	469	Spacer	14	23532
269	Mounting Plate (Cir. Brk.)	1	58805-1	470	Brush Holder Spacer	2	52559
270	Saddle	1	54757	471	Mounting Plate	6	53975
				471	Brush Holder "Q"	2	23500
400	Generator		58812	491	End Cover	1	23634
				610	Base	1	54754

**PARTS ORDERING INFORMATION REQUIRED**

To fill your order for service parts, please advise the complete Generator model number and serial number, part number(s), and part description. If in doubt, consult the factory prior to placing the order. Send all parts orders to WINCO, Division of Dyna Technology, Inc., 225 South Cordova Ave., Le Center, MN 56057.





**Gear Box Assembly**

I 54661

REF. NO.	DESCRIPTION	QTY.	PART NO.	REF. NO.	DESCRIPTION	QTY.	PART NO.
130	Gear Box Assembly	1	54661	149	Bearing	2	54665
134	Pinion Gear	1	46547	150	Gasket	1	46299
137	Seal	1	20029	151	Retainer	1	46295
138	Bearing	2	54666	152	Gasket	1	46298
140	Shaft (Input Drive)	1	46296	153	Retainer	1	46286
141	Woodruff Key	4	1774	154	Snap Ring	1	20133
142	Gear (Input Drive)	1	46548	155	Gear Case & Cover (Matched)	1	54662
144	Gasket (Cover)	1	20016	156	Breather	1	40716
146	Backing Plate	1	56207	157	Shaft (Driven)	1	20128
147	Safety Shield	1	53332	158	Roll Pin	1	4133
148	Gear (Driven)	1	46546				

## TECHNICAL DATA

### GENERATOR SPECIFICATIONS:

KW—25; Volts—120/240; Amps.—104; PH—1; Hz—60; RPM—Input 540, Gen. 3600

### Resistance:

Field Coils— $21.3 \pm 1.1$  ohms

Armature—Less than 1 ohm ring to ring

### Separately Excited:

12VDC to Field—50 to 70 volts output

# WINCO®

Division of  
**DYNA TECHNOLOGY, INC.**  
 225 South Cordova  
 Le Center, MN 56057  
 Phone (612) 357-6821  
 Telex 290753