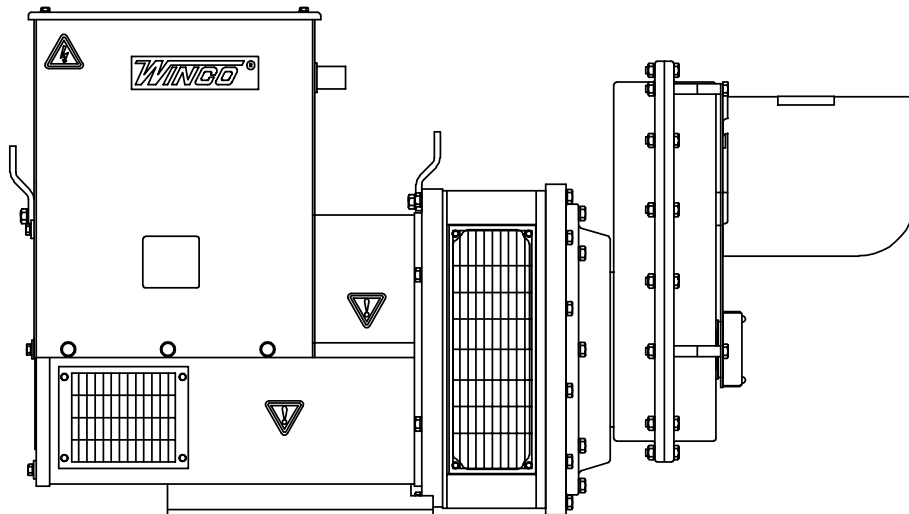




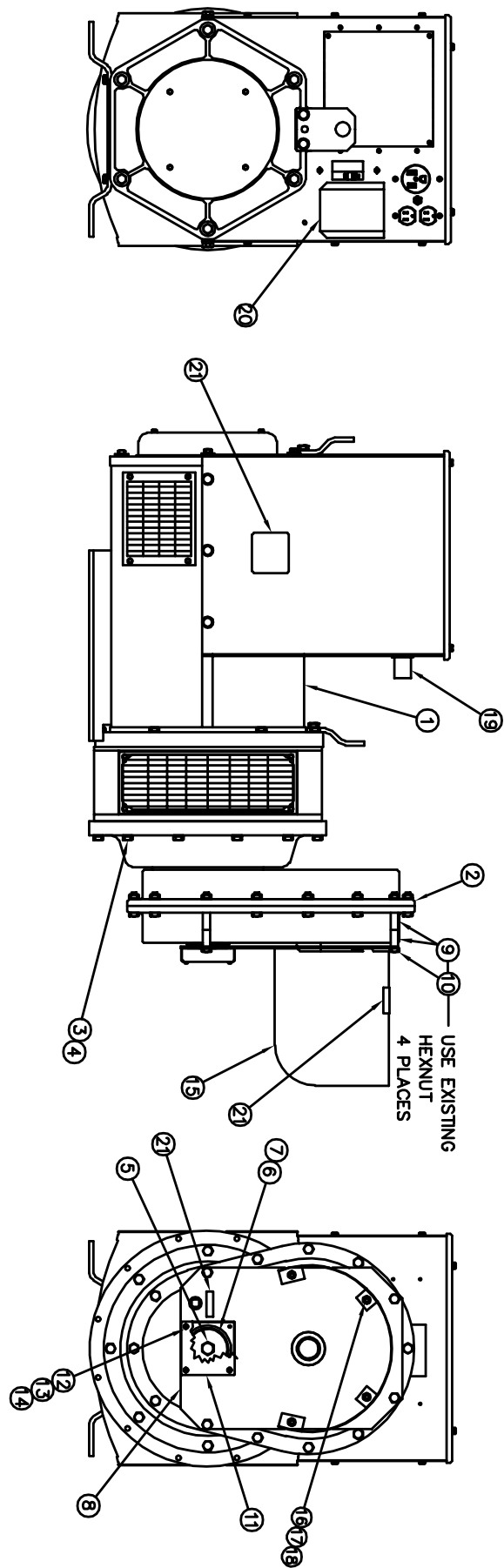
# ILLUSTRATED PARTS LIST

## W85FPTOS/C



225 S. CORDOVA AVE.  
LECENTER, MN 56057  
507-357-6821  
SERVICE DEPT.  
507-357-6831  
wincogen.com

# GENERATOR ASSEMBLY



# GENERATOR ASSEMBLY

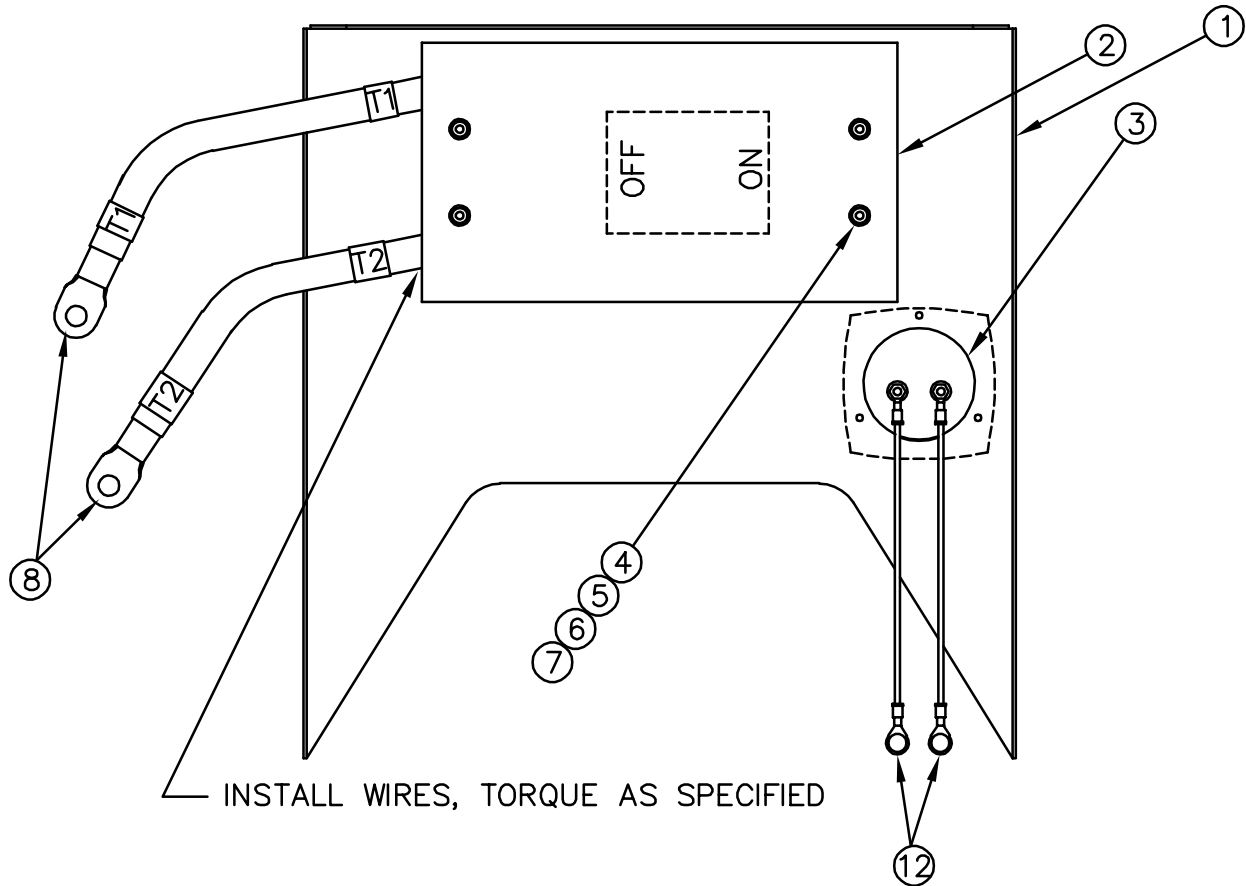
|      |             |       |   |
|------|-------------|-------|---|
| 27   | A-64914-000 | 16    | M6 X 1.0 RETAINER NUT                   |
| 26   | 1744-000    | 4     | 1/2-13 HEXNUT (SHIPPING)                |
| 25   | 21867-000   | 4     | 1/2 FLATWASHER (SHIPPING)               |
| 24   | A-61603-005 | 4     | 1/2-13 X 2-1/2 CARRIAGE BOLT (SHIPPING) |
| 23   | A-BP-10099  | 1     | PLUG KIT (SHIPPED LOOSE)                |
| 22   | 60706-160   | 1     | OPERATORS MANUAL                        |
| 21   | B-64894-001 | 1     | DECAL AND NAMEPLATE INSTALLATION        |
| 20   | B-300113-14 | 1     | RECEPTACLE PANEL ASSEMBLY               |
| 19   | B-300101-14 | 1     | MAIN LINE BREAKER PANEL ASSEMBLY        |
| 18   | A-16249-000 | 4     | 5/16-18 HEX FLANGENUT                   |
| 17   | 526-000     | 4     | 5/16 FLAT WASHER                        |
| 16   | 465-000     | 4     | 5/16-18 X 7/8 HEX HEAD BOLT             |
| 15   | S-7606      | 1     | PTO SHAFT GUARD                         |
| 14   | 484-000     | 4     | # 10 SPLIT LOCKWASHER                   |
| 13   | 6372-000    | 4     | #10-32 NUT HEX ZINC                     |
| 12   | A-52464-002 | 4     | #10-32 X 1-1/2 ROUND HEAD SCREW         |
| 11   | A-300105    | 1     | LOWER SHAFT GUARD                       |
| 10   | A-91658-015 | 4     | 3/8-16 X 4 HEX HEAD BOLT                |
| 9    | A-62825-004 | 8     | SPACER                                  |
| 8    | A-300104    | 1     | PTO SHAFT GUARD SUPPORT PLATE           |
| 7    | A-300096    | 1     | SHAFT WASHER                            |
| 6    | A-300106-1  | 1     | BELLEVILLE WASHER, 5/8"                 |
| 5    | A-350096-35 | 1     | M16-2.00 X 35MM HEX HEAD BOLT           |
| 4    | A-97436-008 | 12    | M8 SPLIT LOCKWASHER                     |
| 3    | A-96002-040 | 12    | M8 X 1.25 x 40 MM HEX HEAD BOLT         |
| 2    | B-300100-1  | 1     | GEARCASE                                |
| 1    | B-351810-51 | 1     | GENERATOR                               |
| ITEM | PART NO     | QUAN. | DESCRIPTION                             |

## STAMFORD NEWAGE GENERATOR INFORMATION:

MODEL: UCI224G2J TWO BEARING  
AVR: 350818, SX460

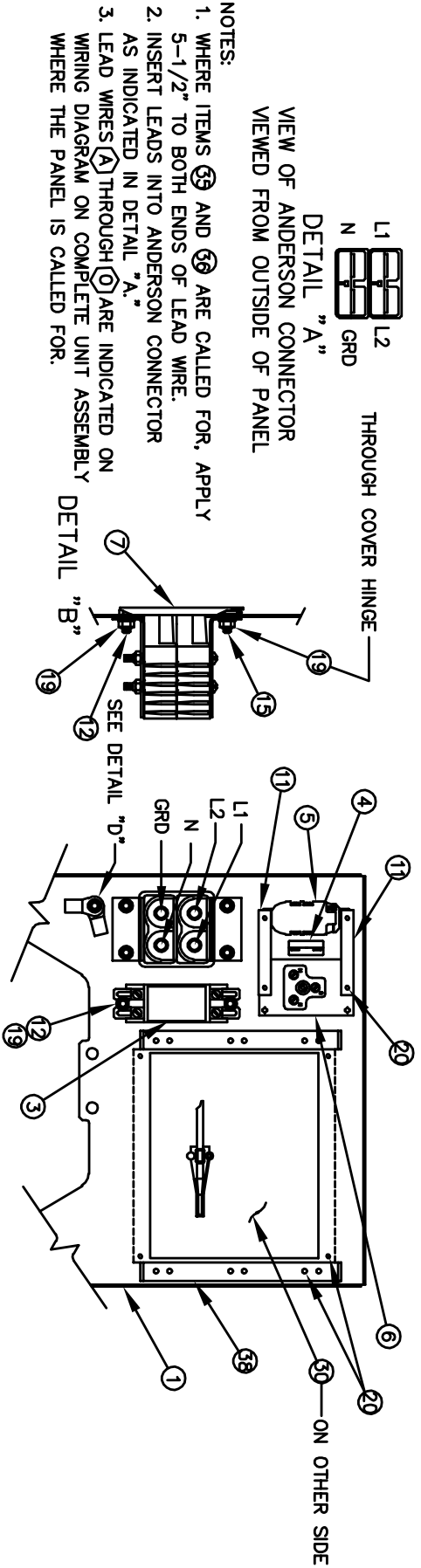
[www.cumminsgeneratortechnologies.com](http://www.cumminsgeneratortechnologies.com)

# MAIN LINE CIRCUIT BREAKER PANEL ASSEMBLY

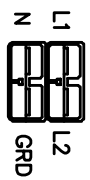


|      |             |        |                                |
|------|-------------|--------|--------------------------------|
| 14   | B-24862-011 | 2      | LEAD I.D. TAPE (T2)            |
| 13   | B-24862-010 | 2      | LEAD I.D. TAPE (T1)            |
| 12   | A-91457-002 | 2      | TERMINAL LUG                   |
| 11   | A-12624-000 | 1.7FT  | LEAD WIRE (16 GA.)             |
| 10   | A-4158-000  | 2      | TERMINAL LUG                   |
| 9    | A-300114    | 2.92FT | LEAD WIRE (#3/0 AWG)           |
| 8    | A-99823-001 | 2      | TERMINAL LUG                   |
| 7    | 598         | 4      | #10 FLAT WASHER                |
| 6    | 484         | 4      | #10 SPLIT TYPE LOCKWASHER      |
| 5    | 6372-000    | 4      | #10-32 HEX NUT                 |
| 4    | 24864-000   | 4      | 10-32 x 4-1/2 ROUND HEAD SCREW |
| 3    | A-300102    | 1      | FREQUENCY METER                |
| 2    | A-81094-9   | 1      | CB, 350 AMP, 2 POLE            |
| 1    | B-350028-1  | 1      | PANEL, MLB                     |
| ITEM | PART NO     | QUAN.  | DESCRIPTION                    |

# FRONT PANEL ASSEMBLY

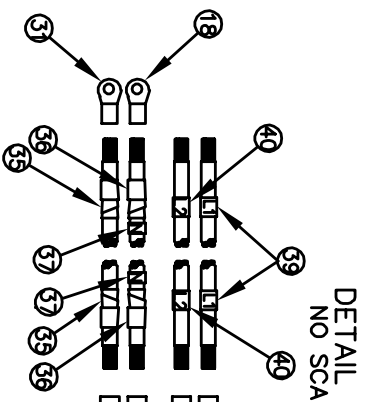


DETAIL "A"  
 VIEW OF ANDERSON CONNECTOR  
 VIEWED FROM OUTSIDE OF PANEL

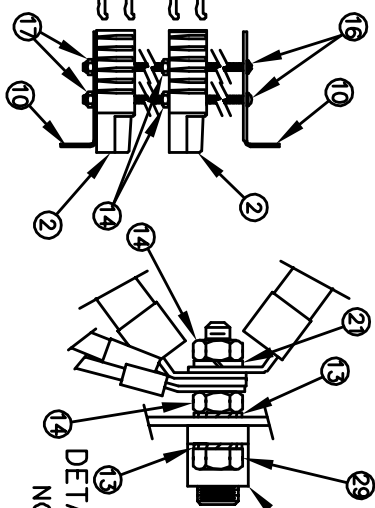


- NOTES:
1. WHERE ITEMS 59 AND 58 ARE CALLED FOR, APPLY 5-1/2" TO BOTH ENDS OF LEAD WIRE.
  2. INSERT LEADS INTO ANDERSON CONNECTOR AS INDICATED IN DETAIL "A."
  3. LEAD WIRES (A) THROUGH (O) ARE INDICATED ON WIRING DIAGRAM ON COMPLETE UNIT ASSEMBLY WHERE THE PANEL IS CALLED FOR.

DETAIL "C"  
 NO SCALE

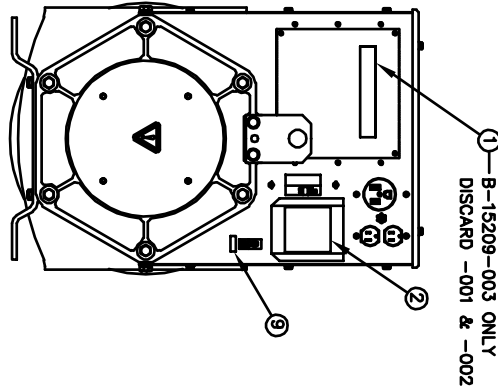


DETAIL "D"  
 NO SCALE



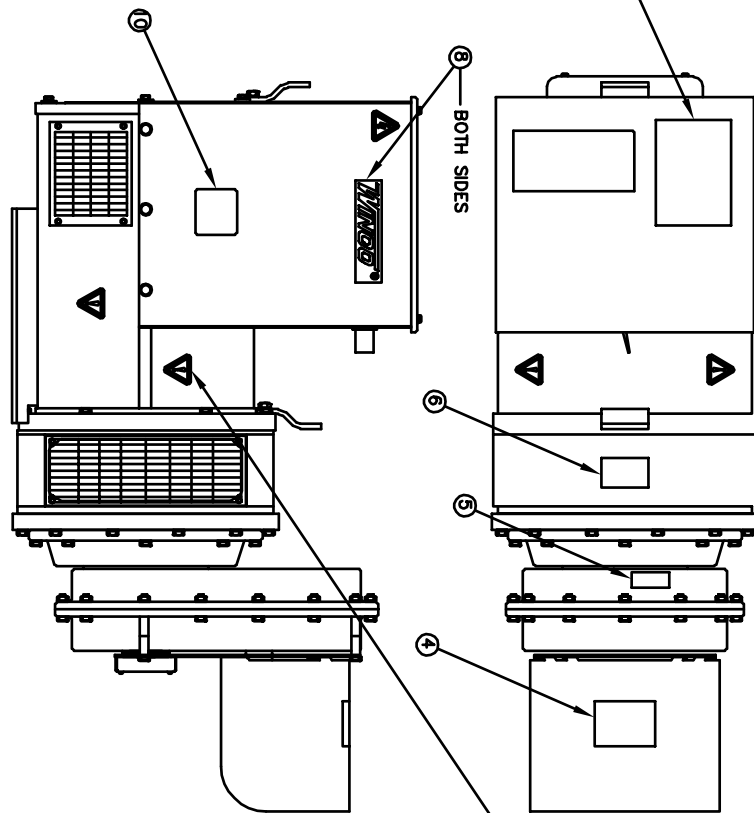


# NAMEPLATE AND DECAL INSTALLATION



TO BE READ  
FROM THIS END

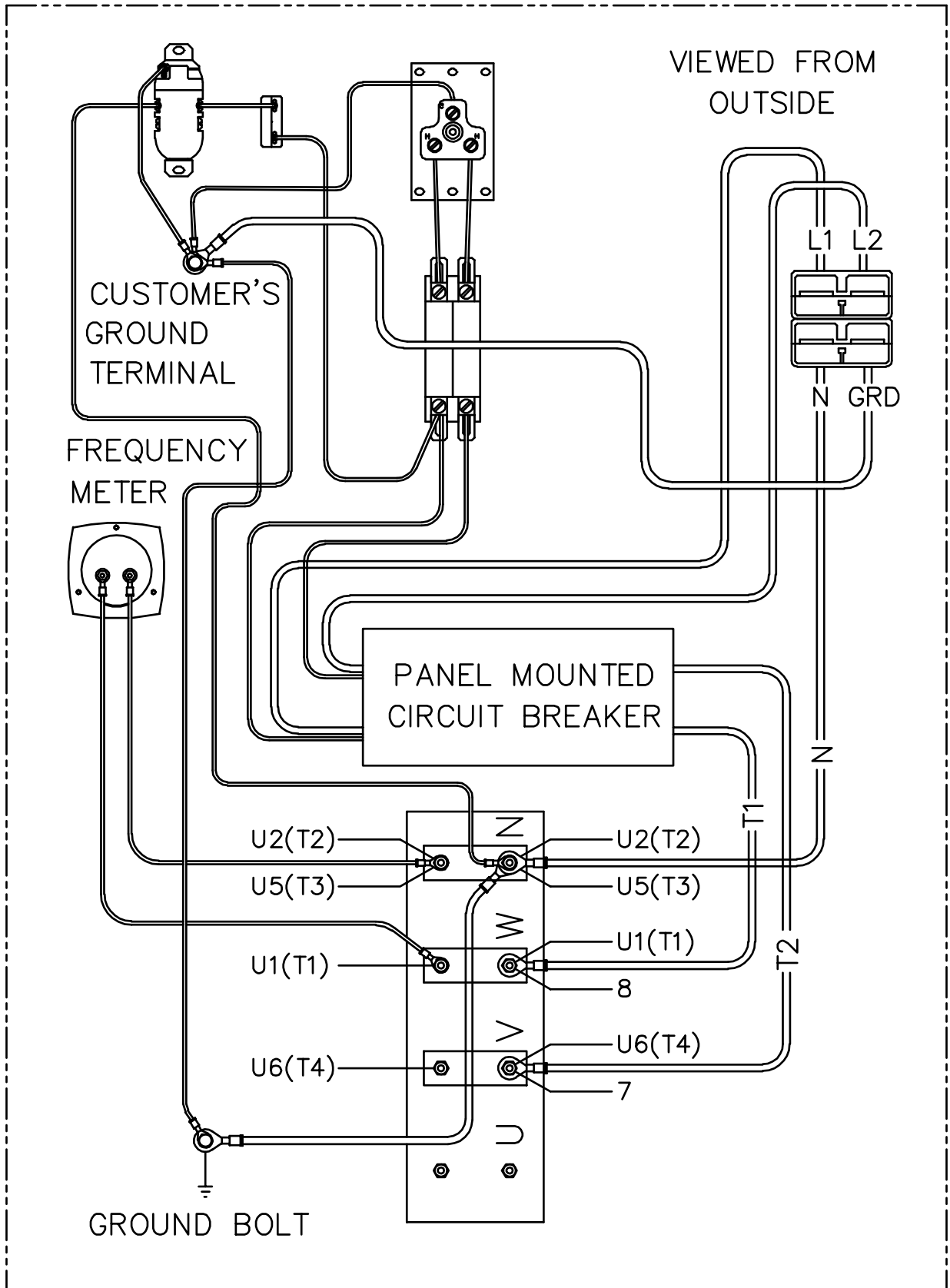
③



APPLY DECAL SET THAT IS INCLUDED  
WITH GENERATOR AS INSTRUCTED ON  
BACK SIDE OF DECALS

| ITEM | PART NO     | QUAN | DESCRIPTION                   |
|------|-------------|------|-------------------------------|
| 10   | A-63966-007 | 1    | NAMEPLATE KIT                 |
| 9    | A-15750-001 | 1    | GROUND DECAL                  |
| 8    | A-53113-000 | 2    | WINCO DECAL                   |
| 7    | A-16303-000 | 1    | DECAL, OIL LEVEL              |
| 6    | A-91369-001 | 1    | DECAL, 1000 RPM               |
| 5    | Z-9941      | 1    | DECAL, OIL FILL               |
| 4    | Z-2568      | 1    | DECAL-DANGER PTO              |
| 3    | Z-2553      | 1    | DECAL, OPERATING INSTRUCTIONS |
| 2    | Z-2527-2    | 1    | DECAL, ANDERSON SINGLE PHASE  |
| 1    | B-15209-000 | 1    | DECAL SET                     |

# WIRING DIAGRAM



WIRING DIAGRAM (SINGLE PHASE "4 WIRE"; 120/240)