

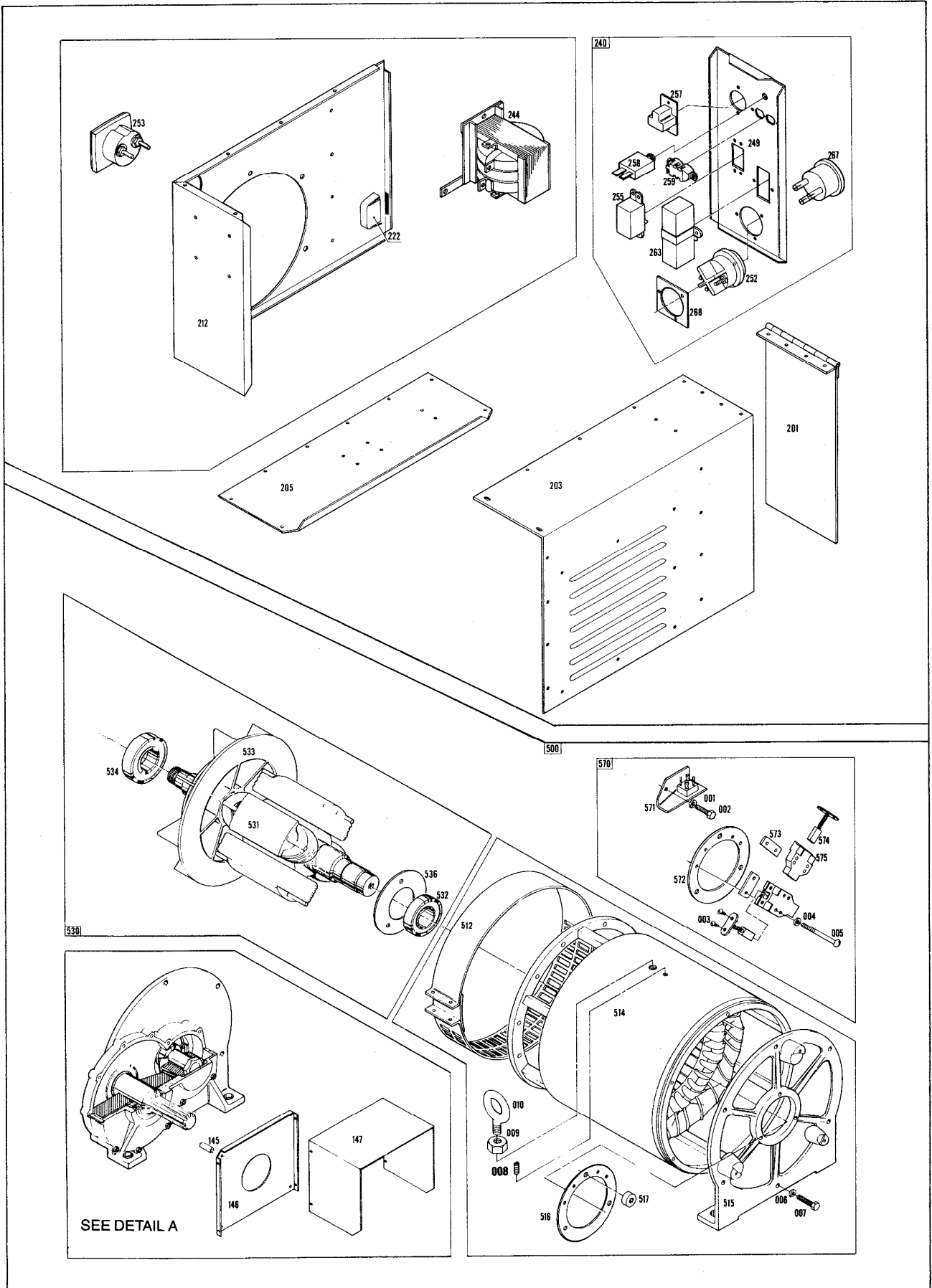
WINGCO INC[®]

*A Division of **DTE** Dyna Technology Inc*

PARTS LIST

40PTOC-4/D
40FPTOC-4/D
45PTOC-17/D
45FPTOC-17/D





SEE DETAIL A

GENERATOR ASSEMBLY

REF #	PART NUMBER	QTY	DESCRIPTION
001	480-000	3	5/16 Lock Washer
002	441-000	3	5/16-18 X 2 Cap Screw
003	40746-000	8	8-32 X 5/16 Screw
004	6376-000	4	Lock Washer
005	10846-000	4	8-32 X 1 ½ Screw
006	90570-000	6	Lock Washer
007	91256-000	6	Cap Screw
008	91347-000	1	Set Screw
009	447-000	1	Nut
010	91137-000	1	Eye Bolt
145	91172-000	4	Spacer
146	91170-000	1	Bracket
147	91171-000	1	Shield
201	91175-001	1	Cover
203	91174-000	1	Louvered Panel
205	91246-000	1	Base Cover
212	91371-000	1	Rear Panel (Bare)
222	91177-000	2	Magnetic Latch
244A	99774-000	1	Transformer (40PTOC-4)
244B	91187-000	1	Transformer (45PTOC-17)
249A	98380-001	1	Front Panel (40PTOC-4)
249B	98380-000	1	Front Panel (45PTOC-17)
252	91353-400	1	Receptacle (Octopus) 125A
253	91374-000	1	Voltmeter 40KW / 208V
253	91370-000	1	Voltmeter 45KW / 240V
255	57030-000	1	Circuit Breaker 50A, 240V
257	57325-000	1	Receptacle, NEMA 6-50R
258	91286-001	1	Circuit Breaker, 20A, 120V
259	50766-000	1	Receptacle, NEMA 5-20R
263	82584-004	1	Circuit Breaker, 100A, 3 Pole
267	91355-000	1	Plug Kit (Octopus)
268	91350-000	1	Retainer Plate
512	91337-000	1	Cover (Impeller)
514	91148-002	1	Stator Assy (40PTOC-4)
	91148-001	1	Stator Assy (45PTOC-17)

515	91212-000	1	End Bracket
516	91221-001	1	Retainer
517	21264-000	3	Spacer
530	91237-000	1	Rotor Assembly
532	91111-000	1	Bearing
533	91101-000	1	Impeller
534	91112-000	1	Bearing (Drive End)
536	91196-000	1	Retainer
570	91251-000	1	Excitation Assembly
571	91452-000	1	Rectifier
572	91211-002	1	Ring (Brush Holder)
573	23532-000	2	Fiber Spacer
574	23607-000	4	Brush 1/4 X 3/8
575	59690-000	4	Brush Holder
*	59688-000	4	Barrier Spacer
*	16303-000	1	Decal, Oil Level
*	15750-001	1	Decal, Ground
*	91369-000	1	Decal, 540 RPM
*	91327-000	1	Decal, Winco
*	64516-000	1	Decal, Danger PTO
*	53113-000	1	Decal, Winco
*	64515-000	1	Decal, Warning
*	15209-000	1	UL Decal Set
*	52077-000	1	Decal, Oil Level
*	Not Illustrated		

40PTOC-4/D

45PTOC-17/D

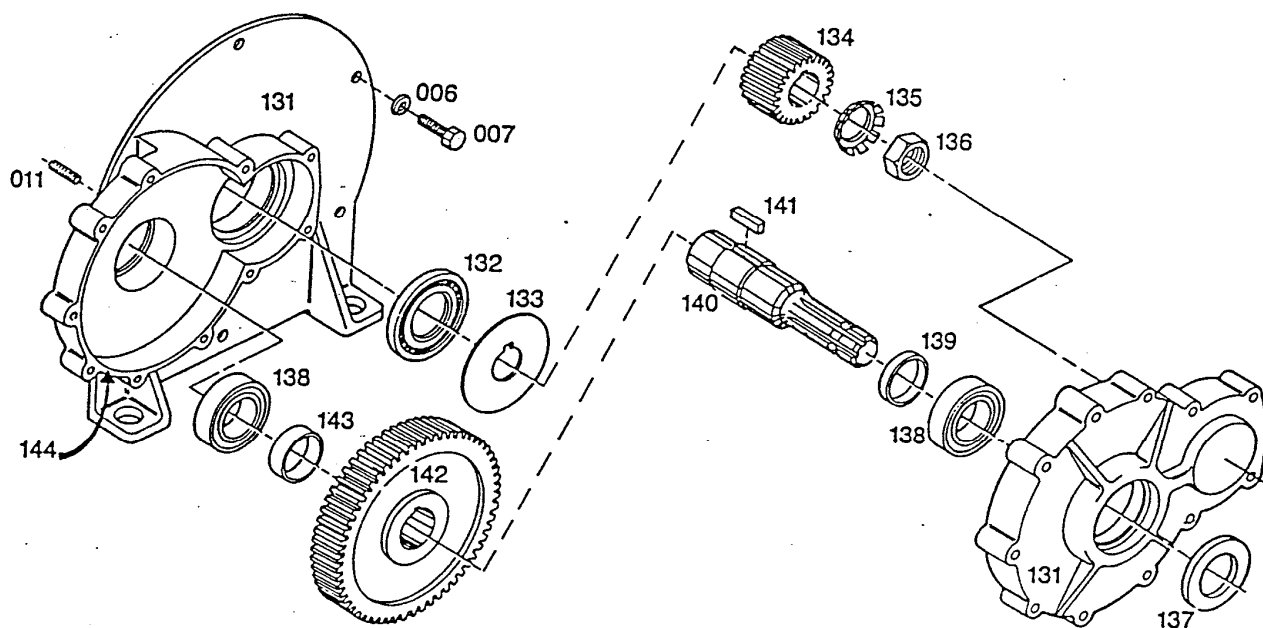
AC RESIDUAL VOLTS
FIELD RESISTANCE
SCHEMATIC DIAGRAM
WINDING SPEC. (SS#)
ARM. CONNECTION (AC#)

7.0 VAC L-L
3.51 OHMS
B-91323
1307
317

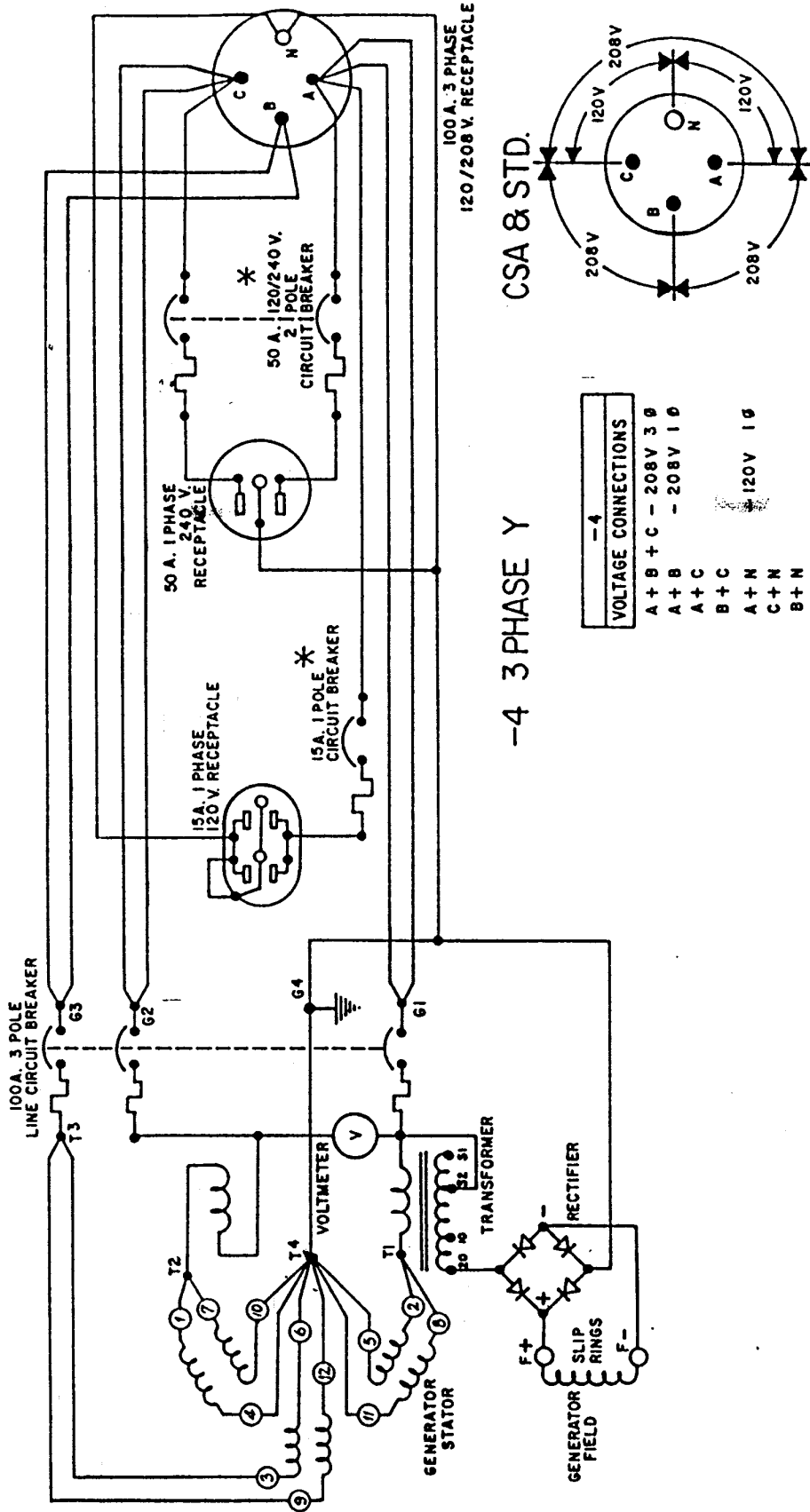
7.0 VAC L-L
3.51 OHMS
B-91323
1299
316

GEARCASE ASSEMBLY

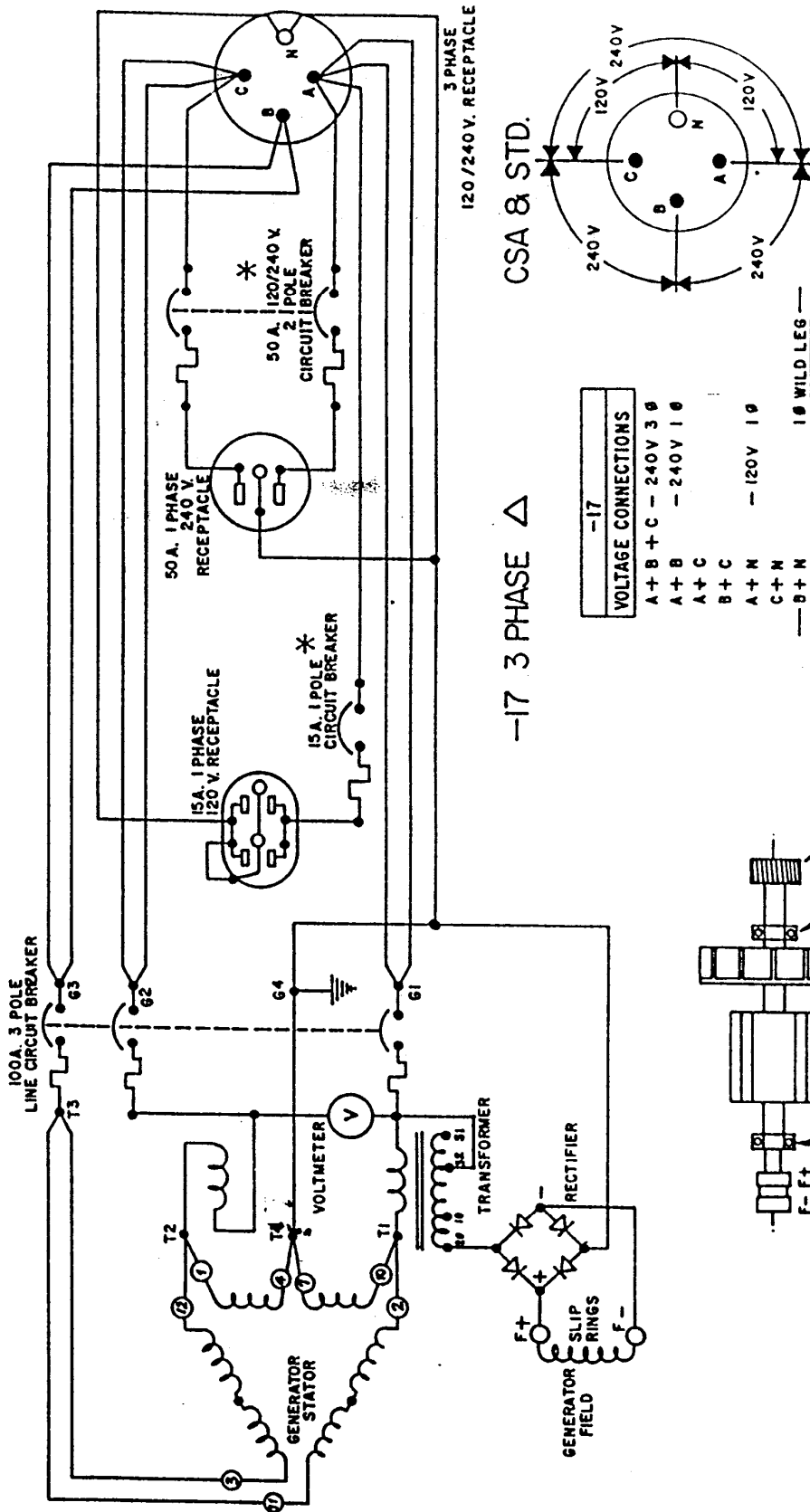
REF #	PART NUMBER	QTY	DESCRIPTION
006	90570-000	4	Lock Washer
007	91256-000	4	Cap Screw
011	91138-000	2	Stud
131	91103-000	1	Support & Cover
132	91116-000	1	Seal (Rotor Shaft)
133	91345-000	1	Slinger
134	91224-000	1	ⓘ Gear (1000 rpm pinion)
134	91225-000	1	ⓘ Gear (540 rpm pinion)
135	91289-000	1	Lock Washer
136	91290-000	1	Nut
137	91247-000	1	Seal (Cover)
138	91111-000	2	Bearing
139	91108-001	1	Spacer (Front)
140	91344-000	1	Shaft
141	91117-000	1	Key
142	91248-000	1	Gear (1000 rpm Input)
142	91118-000	1	Gear (540 rpm Input)
143	91108-002	1	Spacer (Rear)
144	91104-000	1	Gasket
*	40716-000	1	Breather
*	Not Illustrated		



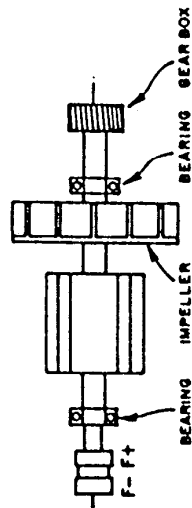
WIRING SCHEMATIC 40PTOC-4/D



WIRING SCHEMATIC 45PTOC-17/D



(* NOTE: EXTRA BREAKERS ON CSA MODELS ONLY)



WINCO INC.[®]
*A Division of **DTE** Dyna Technology Inc*

WINCO INC.
225 S. CORDOVA AVE.
LECENTER, MN 56057
507-357-6821
SERVICE DEPT.
507-357-6831